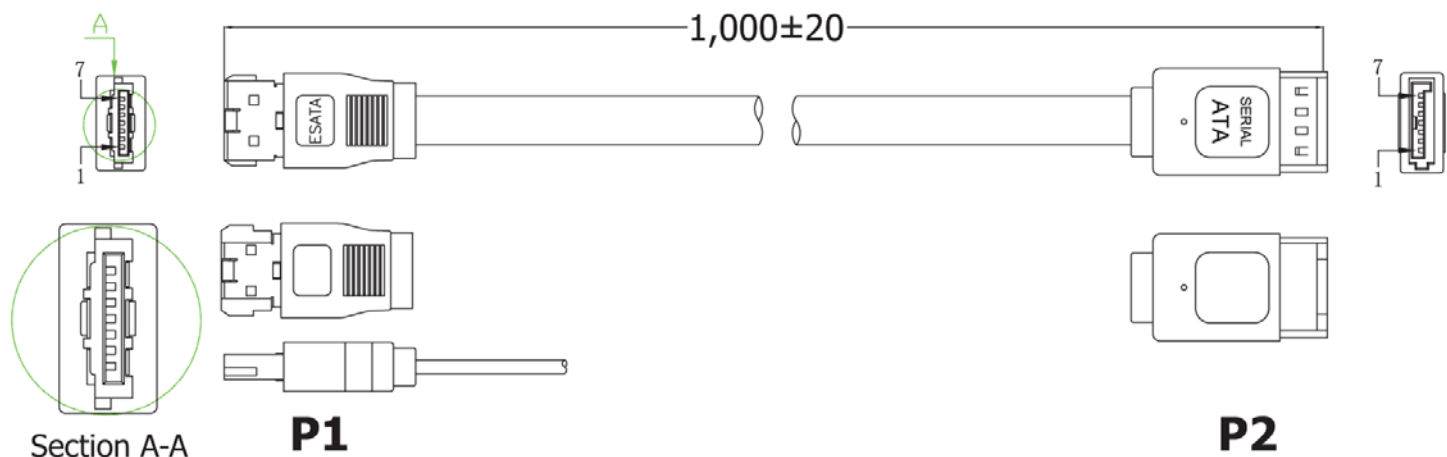
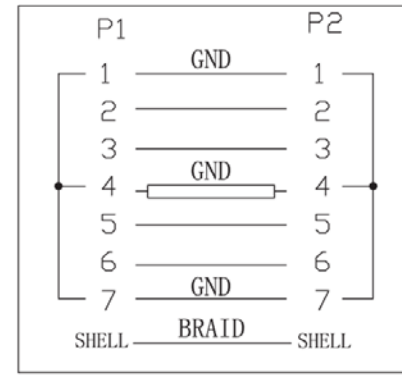
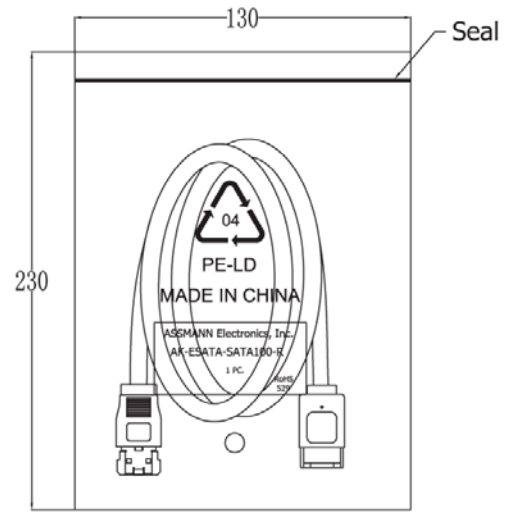


Pin Assignment



Section A-A
Scale 2:1



Material:

- Cable: UL2725 [26AWG(1/0.404)*2F INS:HD-PE+D/W(1/0.32)*2C+AL/MY]*2F
 - Inner Jacket PVC Black
 - OD 2.1*7.3MM +Braid(16/10/0.1)+PVC Jacket Color: Black OD 4.0*9.0MM
- P1 Connector: eSATA 7P/F Crimp Type
 - Top/Bottom metal shell plate nickel
 - Pin G/F
 - Insulator Black
- P2 Connector: SATA 7P/F Crimp Type
 - Top/Bottom metal shell plate nickel
 - Pin G/F
 - Insulator Black
- Tube: Heat shrink tube Black OD 12MM L 10MM
- Acetate: Acetate cloth tape W 10MM * L 40MM
- Copper Foil: Double-Sided conductive copper foil 20μ" W 10MM*L 30MM
- Outer Jacket: PVC 45P Color Black

Electrical:

- 100% Open Short & Miswire test
- Conductive resistance: 1Ω Max.
- Insulation Resistance: 10MΩ/Min.
- Hi-Pat Test 300V DC

Unit: MM

Scale	1:1						Name
TOLERANCE							Item No.
X.X	±0.40					Drawn	12.29.11
X.XX	±0.25					Approved	Chappell
X.XXX	±0.15						Title
Angle	±3°						External SATA (eSATA) <=> SATA Cable - 7P/F <=> 7P/F, 1 M
							Drawing No.
							rev00
							Replace
							Sheet
			Modification	Date	Name	ASSMANN W&S/W components	

