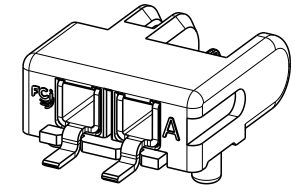
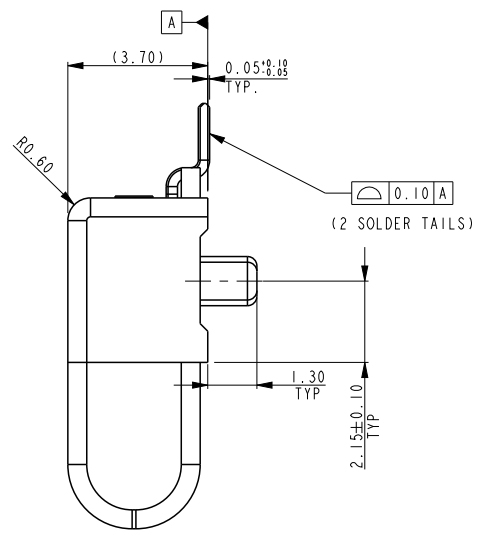
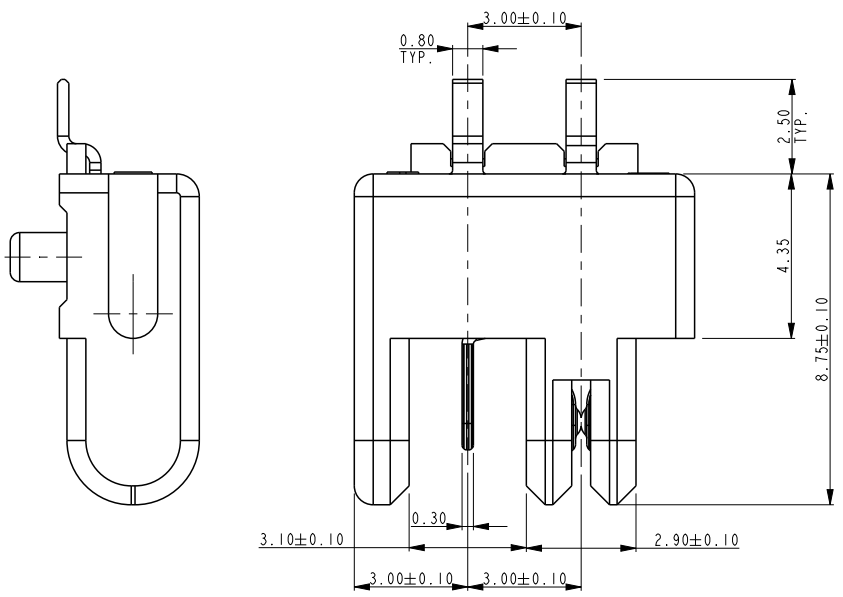
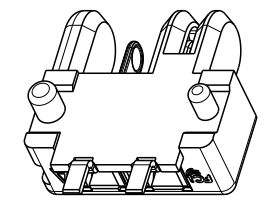


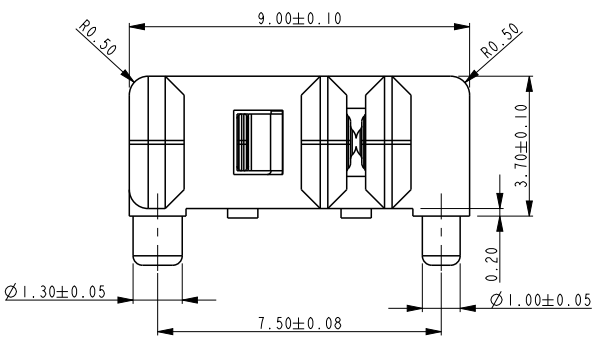
PART NUMBER
10120045-201LF



SCALE 3.000



SCALE 3.000



SCALE 5.000

NOTES:
 1. MATERIAL
 HOUSING: HIGH TEMPERATURE THERMOPLASTIC POLYESTER
 UL 94 V-0, NATURAL
 CONTACTS: COPPER ALLOY
 PLATING SPEC AS BELOW:
 FOR CONTACT AREA:
 *GXT OVER NICKEL
 FOR SOLDER AREA:
 TIN (MATTE) OVER NICKEL
 2. PRODUCT SPEC. GS-12-1079
 3. LEAD FREE NOTES:
 4a. THE HOUSING WILL WITHSTAND EXPOSURE TO 260° C PEAK
 TEMPERATURE FOR 10 SECONDS IN A CONVECTION, INFRA-RED
 OR VAPOR PHASE REFLOW OVEN.
 4b. THIS PRODUCT MEETS EUROPEAN UNION DIRECTIVES AND
 OTHER COUNTRY REGULATIONS AS DESCRIBED IN GS-22-008.
 *GXT™ is an FCI Electronics patented process of palladium-nickel alloy plated with a gold flash.

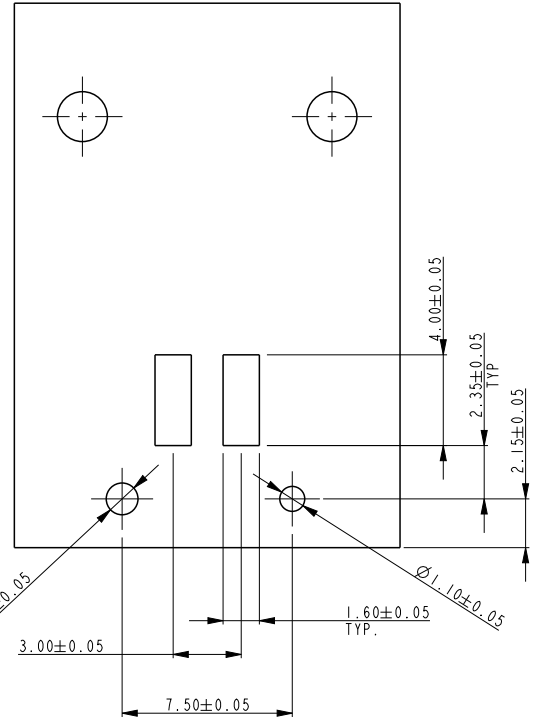


Copyright FCI.

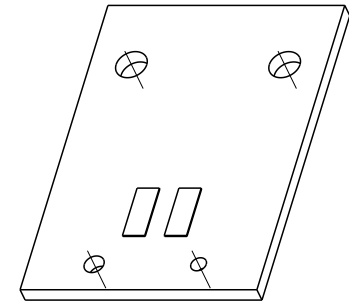
www.fciconnect.com			surface ISO 1302	tolerance std ISO 406 ISO 1101	projection TOLERANCES UNLESS OTHERWISE SPECIFIED	MM
Dr	M JACOB	2014-05-12	ANGULAR	0.x ±x	size A4	Scale 5.000
Eng	M JACOB	2014-05-12	LINEAR	0.xx ±0.2	ECN ELX-1-22313	
Chr	M JACOB	2014-05-12	0° ±2°	0.xxx ±x		
Appr	BIJU K PAUL	2014-05-12	Product family - RoTaConnect		Spec ref -	
FCI			title	ASSEMBLY, 2 POS HOR TYPE WITH PEG ROTATABLE BOARD TO BOARD CONNECTOR		dwg no 10120045-201C
			catalog no	10120045-201LF	CUSTOMER DRAWING	Rev. B
					sheet 1 of 2	

rev	ecn no	dr	date
A	-	MJA	2014-05-12
B	ELX-1-22313	MJA	2015-10-27
-	-	-	-
-	-	-	-
-	-	-	-
-	-	-	-

PART NUMBER
10120045-201LF



SCALE 3.000



SCALE 2.000

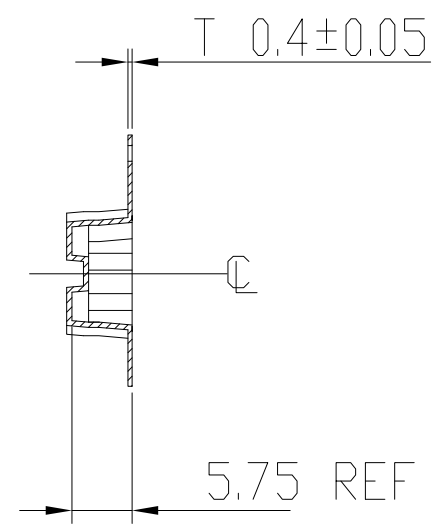


Copyright FCI.

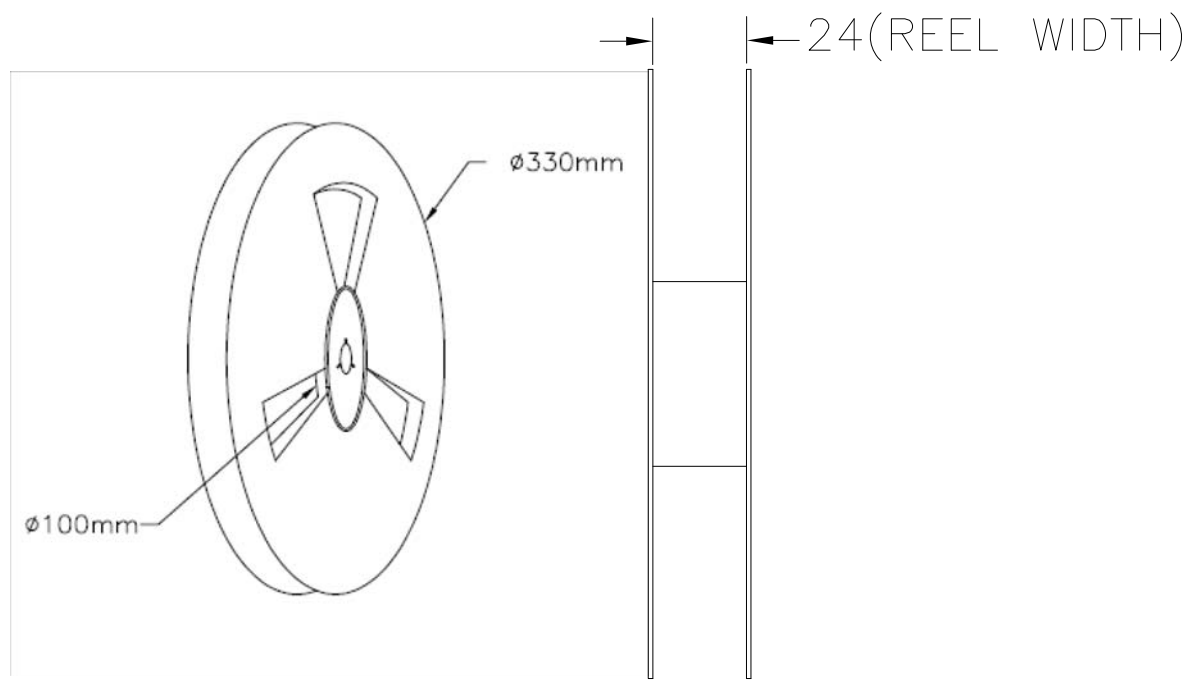
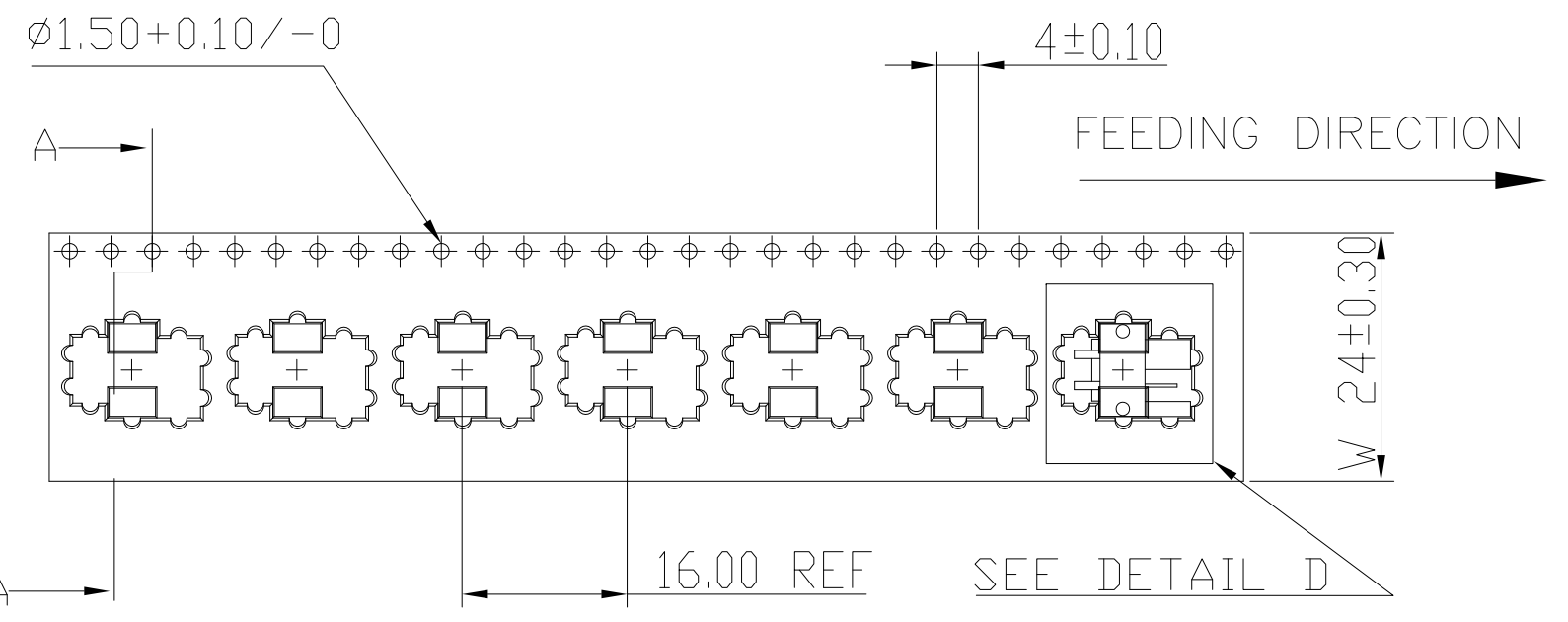
www.fciconnect.com			surface ISO 1302	tolerance std ISO 406 ISO 1101	projection ISO 1101	MM
			TOLERANCES UNLESS OTHERWISE SPECIFIED			
Dr	M JACOB	2014-05-12	ANGULAR	0.x	±x	size A4
Eng	M JACOB	2014-05-12		0.xx	±0.2	Scale 3.000
Chr	M JACOB	2014-05-12	0° ±2°	0.xxx	±x	ECN ELX-1-22313
Appr	BIJU K PAUL	2014-05-12	Product family - RotaConnect		Spec ref -	
			title ASSEMBLY, 2 POS HOR TYPE WITH PEG ROTATABLE BOARD TO BOARD CONNECTOR		dwg no 10120045-201C	Rev. B
			catalog no 10120045-201LF		CUSTOMER DRAWING sheet 2 of 2	

rev	ecn no	dr	date
B	-	-	-
-	-	-	-
-	-	-	-
-	-	-	-
-	-	-	-
-	-	-	-

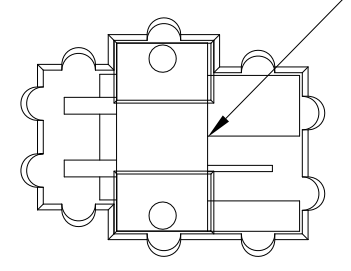
PART NUMBER
10120045-201LF



SECTION A-A



Component inside carrier tape



DETAIL D
SCALE 2:1

NOTES :

- MATERIAL : ANTI-STATIC POLYSTYRENE
- PACKAGING AS PER EIA-481 STD.
- QTY PER REEL : 710 NOS

rev	ecn no	dr	date
B	-	-	-
-	-	-	-
-	-	-	-
-	-	-	-
-	-	-	-

www.fciconnect.com			surface ISO 1302	tolerance std ISO 406 ISO 1101	projection MM
			TOLERANCES UNLESS OTHERWISE SPECIFIED		
Dr	M JACOB	2014-05-12	ANGULAR	0.X ±X	size A4 Scale 1,000
Eng	M JACOB	2014-05-12	LINEAR	0.XX ±0.2	
Chr	M JACOB	2014-05-12	0° ±2°	0.XXX ±X	ECN ELX-I-22313
Appr	BIJU K PAUL	2014-05-12	Product family- RotaConnect		Spec ref -
			title ASSEMBLY, 2 PDS HDR TYPE WITH PEG ROTATABLE BOARD TO BOARD CONNECTOR		dwg no 10120045-201C Rev. B
			catalog no : 10120045-201LF	CUSTOMER DRAWING	sheet 3 of 3

REV F - 2006-04-17