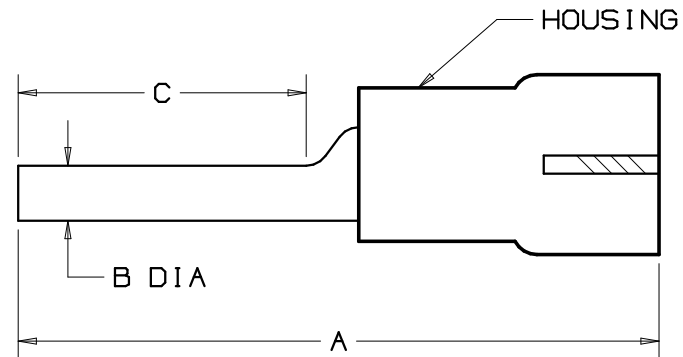
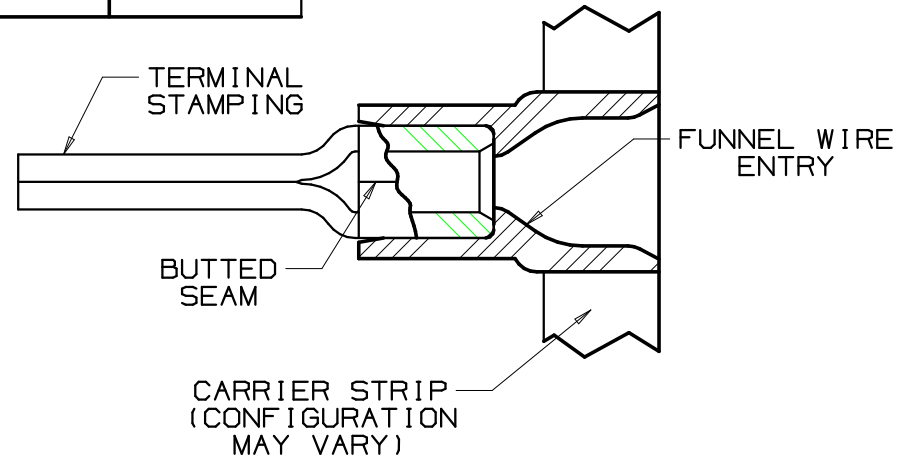


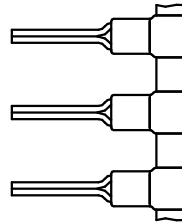
PANDUIT PART #		WIRE RANGE AWG (mm ²)	DIMENSIONS in				HOUSING COLOR	TOOL CHART	
PREFIX	PK		A $\pm .03$ (.8)	B $\pm .01$ (.3)	C MIN	MAX WIRE INSUL DIA		RECOMMENDED PRESSES CP-861, CP-860 CP-851	CA-800 DIE INSERTS
PV18-P47B	-3K	22-18 (.5-1.5)	.89 (22.6)	.08 (2.0)	.39 (10.0)	.15 (3.8)	RED	CD-800-1	
PV14-P47B	-3K	16-14 (1.5-2.5)	.89 (22.6)	.08 (2.0)	.39 (10.0)	.17 (4.3)	BLUE	CD-800-2	

NOTES:

- USED FOR:
 - A. 600V MAX VOLTAGE RATING
 - B. 105°C (221°F) MAX TEMP RATING
 - C. SOLID OR STRANDED COPPER WIRE
- WIRE STRIP LENGTH: $1/4^{+1/32}_{-0}$ (6.3 $^{+0.8}_{-0}$)
- MATERIAL:
 - A. STAMPING: TIN PLATED COPPER
 - B. HOUSING : VINYL
- PACKAGING:
 - A. BULK ONLY: -3K = 3000 PCS CONTINUOUSLY MOLDED ON REEL
- DIMENSIONS IN BRACKETS ARE IN mm OR mm²



RU
RECOGNIZED
E52164



04	6/06	DAW	DAW	ADDED UL RECOGNIZED MARKING	TRO0142		
03	1/01	RM	--	FILESPEC WAS N41547AA_PCD_01	----	--	--
02	3/99	JKD	SKB	UPDATED NOTES AND DIMENSIONS	07530		
01	2/95	MS	RS	UPDATED NOTES AND DIMENSIONS	02968		
00	12/92	TC	RS	RELEASED	01298	LA	DH
REV	DATE	BY	CHK	DESCRIPTION	ECN #	CUST	PM

A41547_04

PANDUIT

CORP.

TINLEY PARK, ILLINOIS

REELSMART™, TERMO™
VINYL INSULATED, FUNNEL WIRE ENTRY
PIN TERMINALS

DRAWN BY: TNC CHK'D: RLS SCALE: NONE DRAWING NO.: A41547