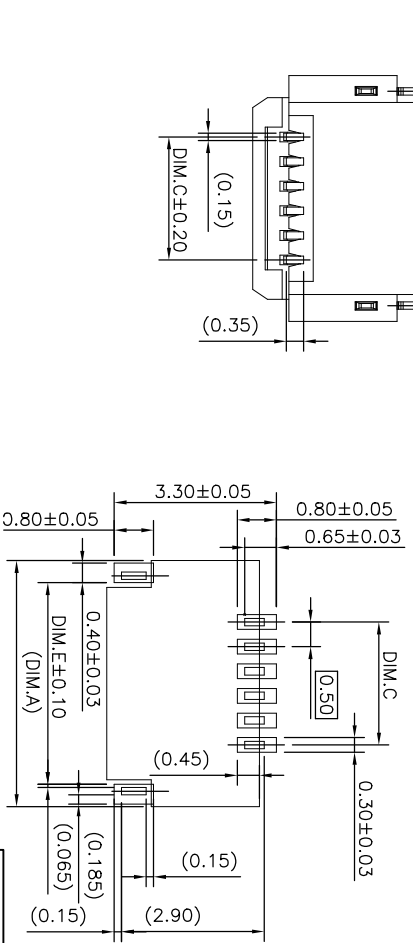
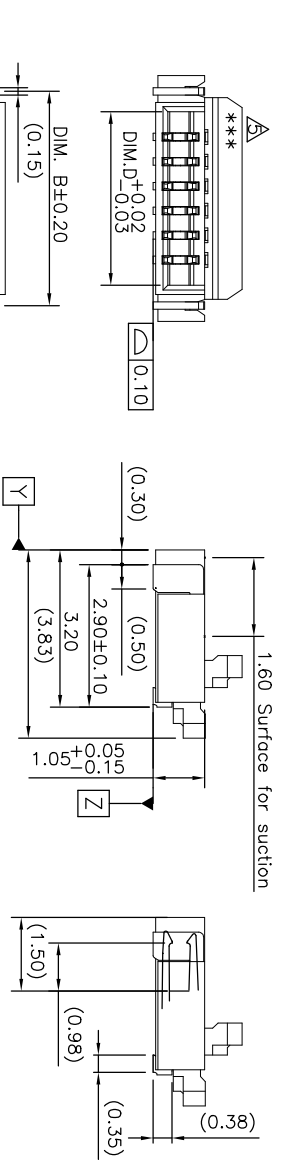
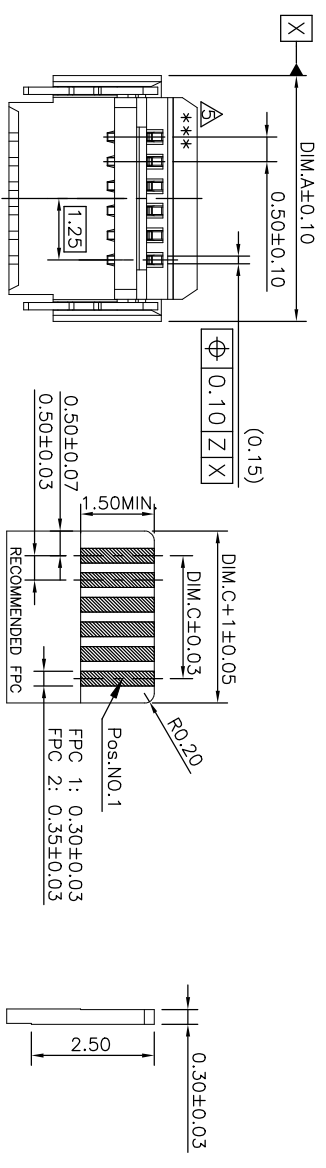


REVISIONS

P	LR	DESCRIPTION	DATE	DMN	APVD
4		modify the packaging specific	03AUG2018	E.Z	W.H

NOTES:

- MATERIAL:
 - HOUSING: HIGH TEMPERATURE THERMOPLASTIC
 - UL94V-0, COLOR: NATURAL.
 - ACTUATOR: HIGH TEMPERATURE THERMOPLASTIC
 - UL94V-0, COLOR: BLACK.
 - CONTACT: COPPER ALLOY.
 - FITTING NAIL: STAINLESS STEEL.
- FINISH:
 - CONTACT: GOLD PLATING 3u" MIN. ON CONTACT AREA. GOLD PLATING 1u" MIN. ON SOLDER TAILS. 50u" MIN. NICKEL UNDERPLATING OVERALL.
 - FITTING NAIL: TIN PLATING ON SOLDER TAILS. 50u" MIN. NICKEL UNDERPLATING OVERALL.
- SPECIFICATION:
 - VOLTAGE: 50V AC/DC
 - CURRENT RATING: 0.5 AMPERE
 - CONTACT RESISTANCE: INITIAL 50 MOHMS MAX. AFTER TEST Δ50 MOHMS MAX.
 - DIELECTRIC WITHSTANDING VOLTAGE: 250V AC/1 MINUTE;
 - INSULATION RESISTANCE: 500M OHMS MIN.
 - FFC/FPC WITHDRAWAL FORCE: 0.20N PER CONTACT MIN;
 - FFC/FPC THICKNESS: 0.30+/-0.03mm.
- THE PRODUCT IS ROHS AND HF COMPLIANT.

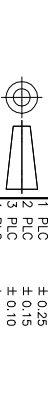


PIN NO.	DIM.E	DIM.D	DIM.C	DIM.B	DIM.A	PART NO.
24	13.10	12.53	11.50	13.36	14.00	2-2328702-4
10	6.10	5.53	4.50	6.36	7.00	1-2328702-0
8	5.10	4.53	3.50	5.36	6.00	2328702-8
6	4.10	3.53	2.50	4.36	5.00	2328702-6
4	3.10	2.53	1.50	3.36	4.00	2328702-4

THIS DRAWING IS A CONTROLLED DOCUMENT.

DMN	ELIANA ZHANG	20171228
CHK	WENKE HE	20171228
APVD	WENKE HE	20171228

DIMENSIONS:	mm	TOLERANCES UNLESS OTHERWISE SPECIFIED:
0	PLC	±0.40
1	PLC	±0.25
2	PLC	±0.15
3	PLC	±0.10
4	PLC	±
	ANGLES	±



MATERIAL		FINISH	

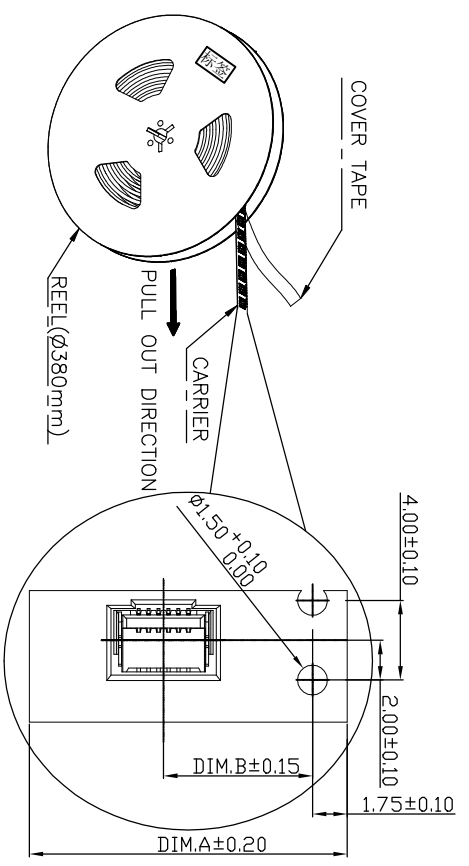


TE Connectivity

0.5 PITCH FPC CONNECTOR
BACK FLIP

NAME	0.5 PITCH FPC CONNECTOR BACK FLIP		
SIZE	A3	CAGE CODE	00779
DRAWING NO.	2328702		
RESTRICTED TO	CUSTOMER DRAWING		

WEIGHT	SEE TABLE
SCALE	1:1
SHEET	1 OF 2
REV	4



- NOTES: (APPLIED TO CURRENT SHEET)
1. THE DIRECTION OF EACH CONNECTOR ON A EMOSS IS REFERRED TO THIS DRAWING.
 2. PACKAGED IN EMOSS TAPE AND PLASTIC REEL 4000 PCS PER REEL.
 3. WINDING THE COVER TAPE AROUND THE OUTER PERIPHERY IN A TURN.

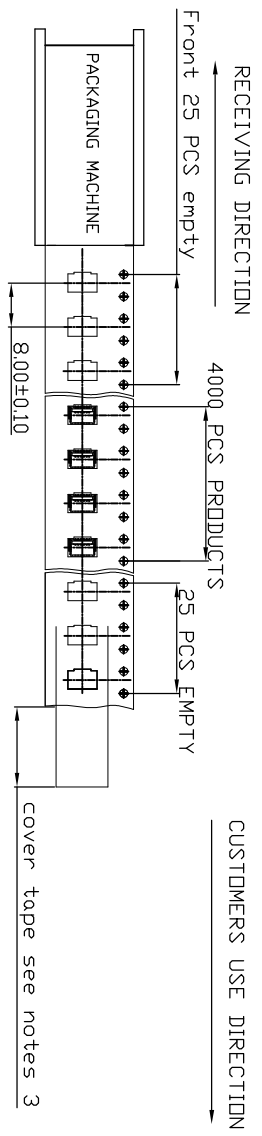
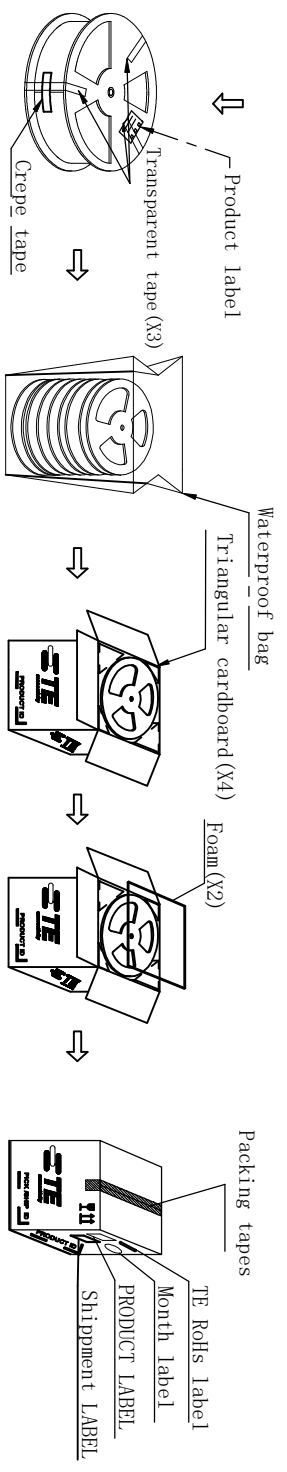


TABLE A

P/N	PIN NO.	Amount of packing		Weight of packing			DIMA	DIMB	
		Pcs/ Reel	Carton	Pcs/ Carton	Unit weight (g)	Net weight (kg)			GW (kg)
2-2328702-4	24	4,000	5	20,000	0.0827	1.654	5.735	24.00	11.50
1-2328702-0	10	4,000	7	28,000	0.0405	1.134	5.06		
2328702-8	8	4,000	7	28,000	0.0335	0.938	4.845	16.00	7.50
2328702-6	6	4,000	7	28,000	0.0280	0.784	4.675		
2328702-4	4	4,000	7	28,000	0.0218	0.611	5.735		



THIS DRAWING IS A CONTROLLED DOCUMENT.

DIM/CHK	ELIANA ZHANG	28DEC2017	NAME	STE TE Connectivity
APVD	WENKE HE	20171228	APVD	WENKE HE
Product SPEC	108-115142		Application SPEC	
WEIGHT	SEE TABLE		SIZE	A3
CUSTOMER DRAWING			CAGE CODE	00779
			DRAWING NO.	2328702
			SCALE	1:1
			SHEET	2 of 2
			REV	4

DIMENSIONS:	TOLERANCES UNLESS OTHERWISE SPECIFIED:	NAME
mm	0 PLG ±0.40	0.5 PITCH FPC CONNECTOR
	1 PLG ±0.25	BACK FLIP
	2 PLG ±0.15	
	3 PLG ±0.10	
	4 PLG ±	
	ANGLES ±	
MATERIAL	FINISH	RESTRICTED TO
-	-	-