

Tous droits strictement réservés. Reproduction ou communication o des liers interdite sous quelque forme que ce soit sans autorisation écrite du propriétaire. Propriété de c FCI. Droits de reproduction FCI.



All rights strictly reserved. Reproduction or issue to third parties in any form whatever is not permitted without written authority from the proprietor. Property of FCI. Copyright FCI.

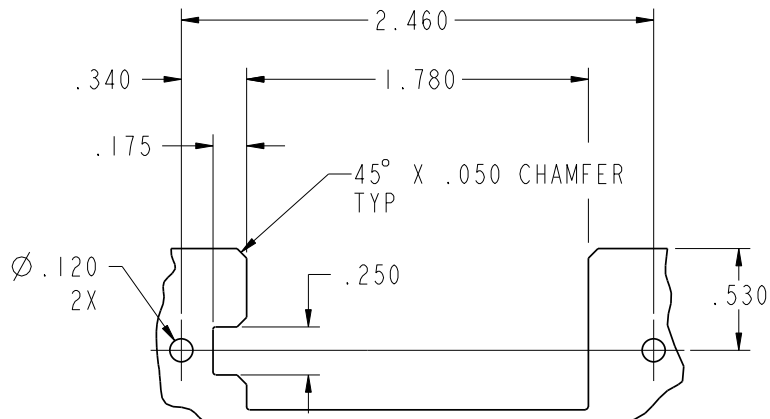
1 | 2

3 |

4

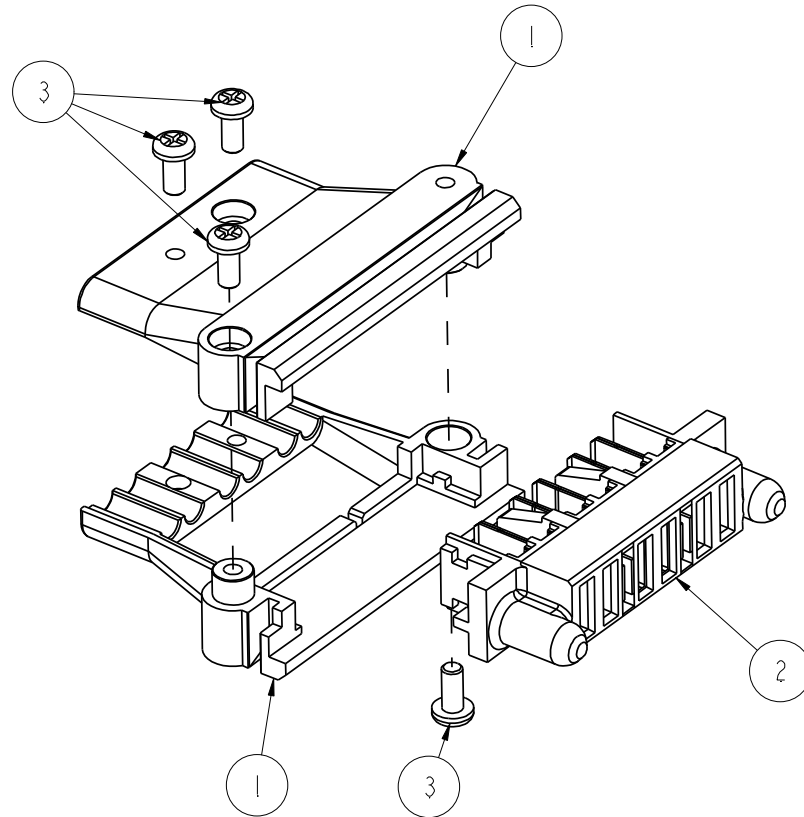
PRODUCT NUMBER
51902-001__
NOTE: 2

INDEX	PART NO. FOR 51902-001	PART NO. FOR 51902-001LF	QTY
1	51869-001	51869-001	2
2	51871-001	51871-001LF	1
3	10045153-001	10045153-001	4



RECOMMENDED PANEL CUTOUT
PANEL THICKNESS: 16 GA MAX.

- NOTES:
1. APPLICATION SPECIFICATION BUS-20-077.
 2. 51902-001&51902-001LF PLATING SPEC. SEE PRINT:10064183



mat'l code				tolerances unless otherwise specified		CUSTOMER		FCI	
lir	ecn no.	dr	date	linear	.XX±.01/0.X±0.3	COPY		www.fciconnect.com	
A	V20175	JWS	01-28-02	projection	.XXX±.005/0.XX±0.13	INCH/MM		title 6 POSITION FLOATING CABLE CONNECTOR	
B	V04-0957	TAB	09/22/04	angles	.XXXX±.0020/0.XXX±0.050	scale		product family PWRBLADE code 213	
C	DG05-0341	CS	09/23/05	dr	0°±2°	1:1		size A 51902-001 sheet 1 of 1	
D	DG06-0234	JMG	06/14/06	enr	C. DAILY 05/14/01				
				chr	E. TREECE 05/14/01				
				appd	E. TREECE 05/14/01				
sheet index	revision sheet	D							
		1							

1 | 2

Pro/E

PDM: Rev: D

STAT: US: Released

Printed: Dec 20, 2010