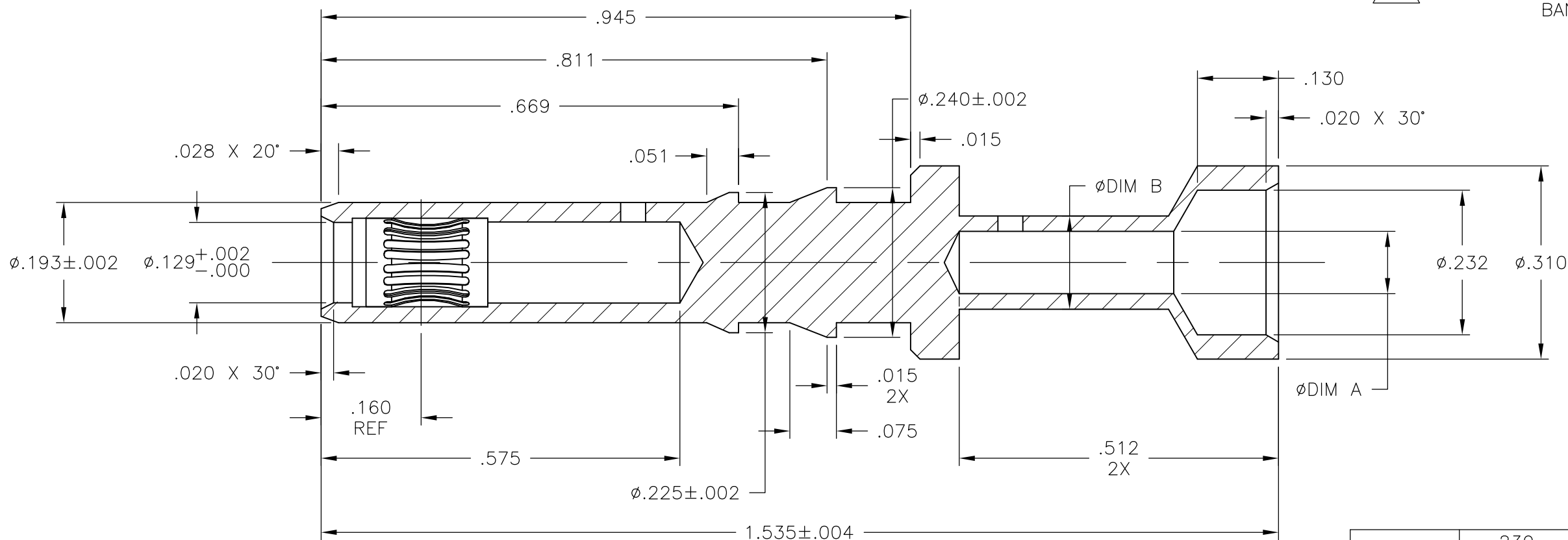


THIS DRAWING IS UNPUBLISHED. RELEASED FOR PUBLICATION
 © COPYRIGHT BY TYCO ELECTRONICS CORPORATION. ALL INTERNATIONAL RIGHTS RESERVED.

LOC	DIST	REVISIONS			
P	LTR	DESCRIPTION	DATE	DWN	APVD
	B1	REVISED PER ECO-08-029660	27NOV08	HMR	GS

- 1 MATERIAL:
BODY: TELLURIUM Cu
BAND: Be Cu
- 2 FINISH:
BODY: Au PLATE .000008 MIN THK ALL OVER NI
UNDERPLATE .000050 MIN THK.
BAND: Au PLATE .000030 MIN THK ALL OVER NI
UNDERPLATE .000050 MIN THK.
- 3 MATES WITH 1986388. (.121±.001 PIN DIA)
- 4 MATERIAL: BRASS, 1/2 HARD
BAND: Be Cu



4	.230	.181	8	1986390-6
	.186	.135	10	1986390-5
	.150	.100	14-12	1986390-4
1	.230	.181	8	1986390-3
	.186	.135	10	1986390-2
	.150	.100	14-12	1986390-1
MATERIAL	DIM B	DIM A	WIRE SIZE	PART NUMBER

THIS DRAWING IS A CONTROLLED DOCUMENT.		DWN S SCHLEGEL 11MAR2008	Tyco Electronics Corporation Harrisburg, PA 17105-3608	
DIMENSIONS: INCHES		CHK G STEINHAUER 3/11/08	NAME	
TOLERANCES UNLESS OTHERWISE SPECIFIED: 0 PLC ± - 1 PLC ± - 2 PLC ± - 3 PLC ± .005 4 PLC ± - ANGLES ± 2'		APVD G STEINHAUER 3/11/08	D POWER SOCKET ASSY, HIGH CURRENT	
MATERIAL SEE TABLE		PRODUCT SPEC -	SIZE A3	RESTRICTED TO -
FINISH 2		APPLICATION SPEC -	CAGE CODE 00779	SCALE 5:1
		WEIGHT -	DRAWING NO C-1986390	SHEET 1 OF 1
CUSTOMER DRAWING			REV B1	