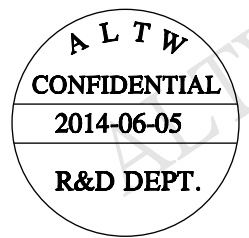
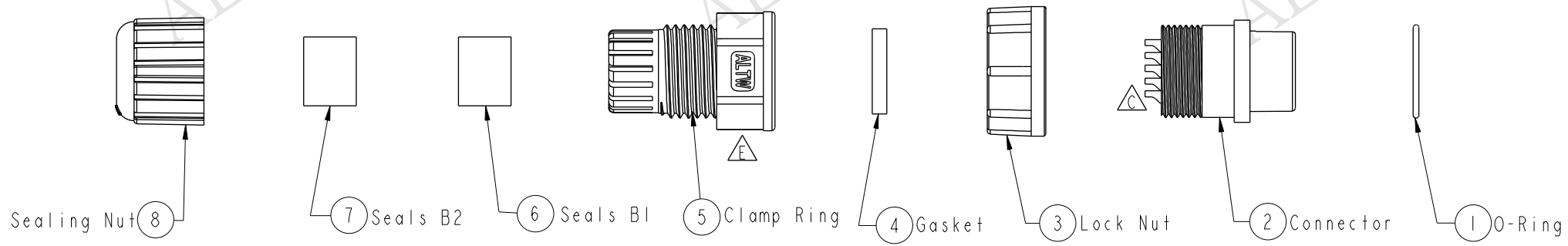
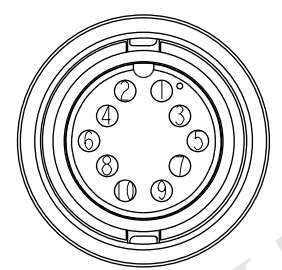


THIS DOCUMENT IS SUBJECT TO CHANGE WITHOUT NOTICE. IT IS CONFIDENTIAL AND A PROPERTY OF AMPHENOL LTW. DISCLOSURE TO THIRD PARTY HAS TO BE AUTHORIZED BY AMPHENOL LTW.

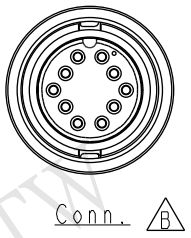
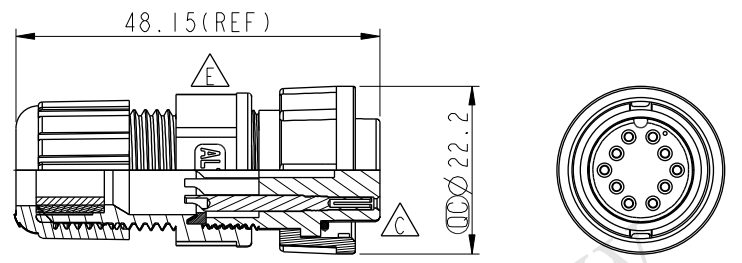
REV.	ECN NO.	DATE	SIGN	DESCRIPTION
C	LEN-0C0140	2010/11/25	IVNA	Change 前導角 View
D	LEN1260008	2012/05/30	Vicky	Modify Note.
E	LEN1460021	2014/06/05	Jason.Yu	Modify Logo



- Note:
- \*  $\varnothing$  Important Dimension.
  - \* Waterproof Rate: IP67
  - \* Housing: Nylon+GF, Black.
  - \* Female Pin: Copper Alloy, Gold Plated.
  - \* O-Ring: EPDM, Black.
  - \* Lock Nut: Nylon+GF, Black.
  - \*  $\triangle$  Gasket: Silicone, Black
  - \*  $\triangle$  Seals: EPDM, Black.
  - \* Clamp Ring: Nylon, Black.
  - \* Sealing Nut: Nylon, Black.
  - \* Seals B1 for Cable OD:  $\varnothing$ 7.6mm~ $\varnothing$ 9.6mm
  - \* Seals B2 for Cable OD:  $\varnothing$ 4.0mm~ $\varnothing$ 7.6mm
  - \* One Set Unassembled in One PE Bag.



Pin Assignments  
Front View



UNIT:mm			TITLE Middle, Assy Lock 10Pin F Conn F Pin			ITEM NO CD-10BFFA-LL7001	DRAWN BY Jason.Yu	DATE 2014-06-05
			SCALE 1:1	SIZE A4	SHEET 1 OF 1	DWG NO CD-10BFFA-LL7001	CHECKED BY Kris	DATE 2014-06-05
TOLERANCE .X ±0.25 .XX ±0.1 .XXX ±0.05 ANGLES ±1°	REV. E			WC-REV. A.2	$\varnothing$ : Inspection item	CUSTOMER ALTW	APPROVED BY Wenmao	DATE 2014-06-05

**Amphenol LTW**  
安費諾亮泰企業股份有限公司