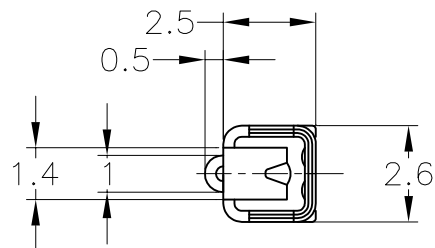
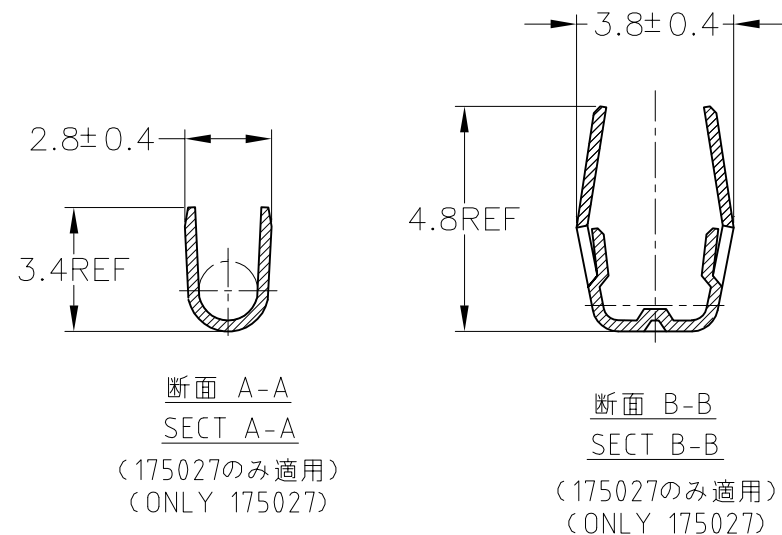
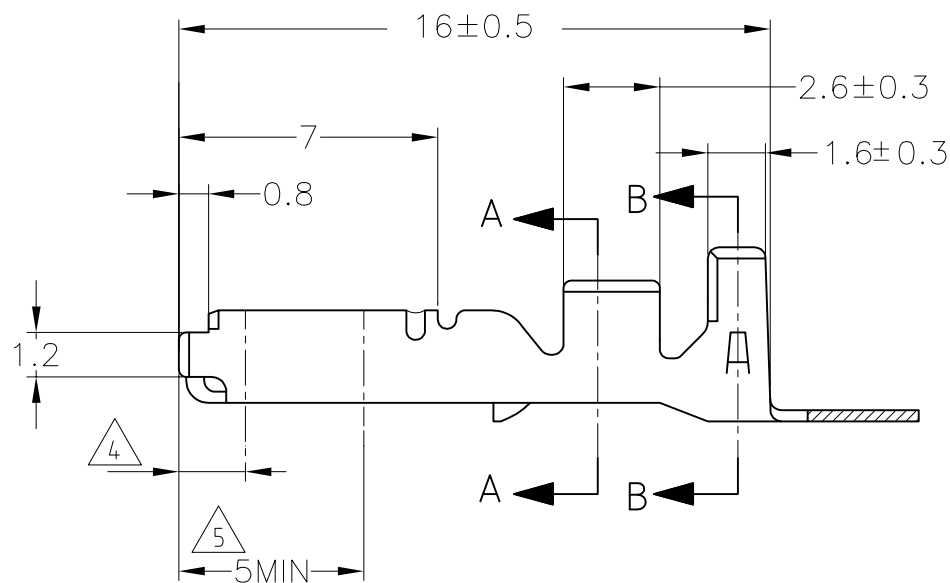
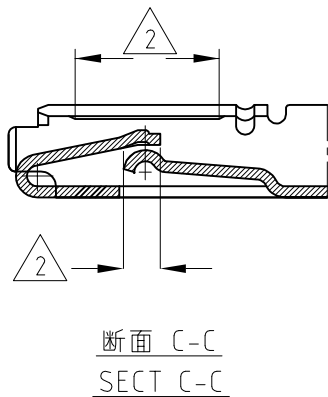
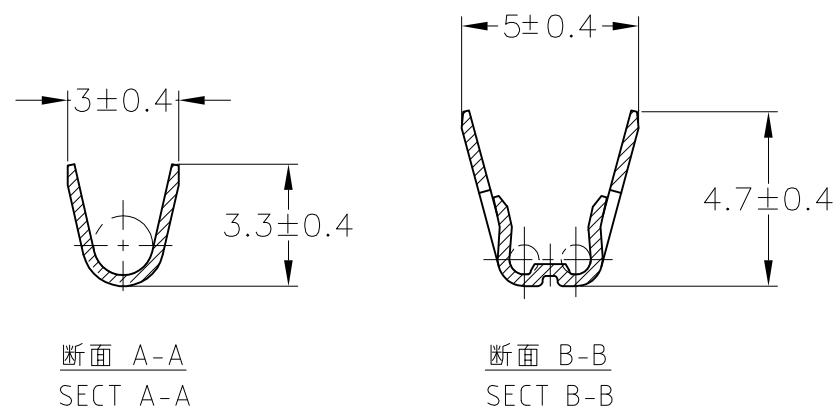
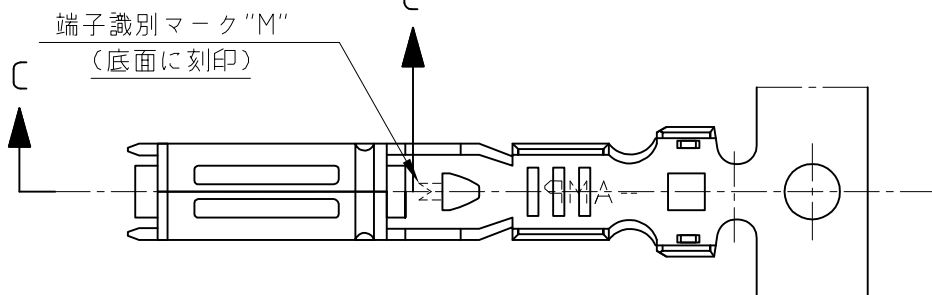


THIS DRAWING IS UNPUBLISHED. RELEASED FOR PUBLICATION
 © COPYRIGHT - By - ALL RIGHTS RESERVED.

| LOC | DIST | REVISIONS | | | |
|-----|------|-------------|---------------|-----------|-------|
| J | - | 変更 | | | |
| P | LTR | DESCRIPTION | DATE | DWN | APVD |
| | F | REVISED | ECR-14-018500 | 18DEC2014 | TS YF |



WIRE RANGE ID MARK
 ("M" SIZE MARK)
 (STAMPED ON BOTTOM)



- 1 製品規格 ; 108-5216, 108-5231, 108-5264, 108-3371
- 2 部分金めっき
- 3. 取付適用規格 ; 114-5091
- 4 識別用金めっき (全周)
- 5 部分金めっき (両側のみ)

- 1. SPEC; 108-5216, 108-5231, 108-5264, 108-3371
- 2. SELECTIVE GOLD PLATING
- 3. APPLICATION SPEC; 114-5091
- 4. GOLD PLATING FOR DISCERNMENT (ALL AROUND)
- 5. SELECTIVE GOLD PLATING (ONLY BOTH SIDES OF THE BOX)

| TOLERANCE UNLESS OTHERWISE SPECIFIED: 一般公差 | |
|--|-------|
| 0 < x ≤ 10 | ±0.2 |
| 10 < x ≤ 30 | ±0.25 |
| 30 < x ≤ 100 | ±0.3 |
| ANGLE | ±3° |

| | | | | | |
|---|--|-------------------------|--|-------------------------------|--|
| THIS DRAWING IS A CONTROLLED DOCUMENT. | | DWN M.SUGAWARA 12MAY06 | | TE Connectivity | |
| DIMENSIONS: 単位: 耗 mm | | CHK T.SHINOHARA 12MAY06 | | | |
| TOLERANCES UNLESS OTHERWISE SPECIFIED: 一般公差 | | APVD K.BETSUI 12MAY06 | | NAME 名称 | |
| 0 PLC ±- | | PRODUCT SPEC 製品規格 | | 070 SERIES RECEPTACLE CONTACT | |
| 1 PLC ±- | | APPLICATION SPEC 取付適用規格 | | SIZE CAGE CODE DRAWING NO 番号 | |
| 2 PLC ±- | | WEIGHT - | | A3 00779 C=173631 | |
| 3 PLC ±- | | CUSTOMER DRAWING | | RESTRICTED TO | |
| 4 PLC ±- | | SCALE 尺度 5:1 | | SHEET 1 of 1 | |
| ANGLES ±- | | REV F | | | |
| MATERIAL 材料 SEE TABLE | | FINISH 仕上 SEE TABLE | | | |