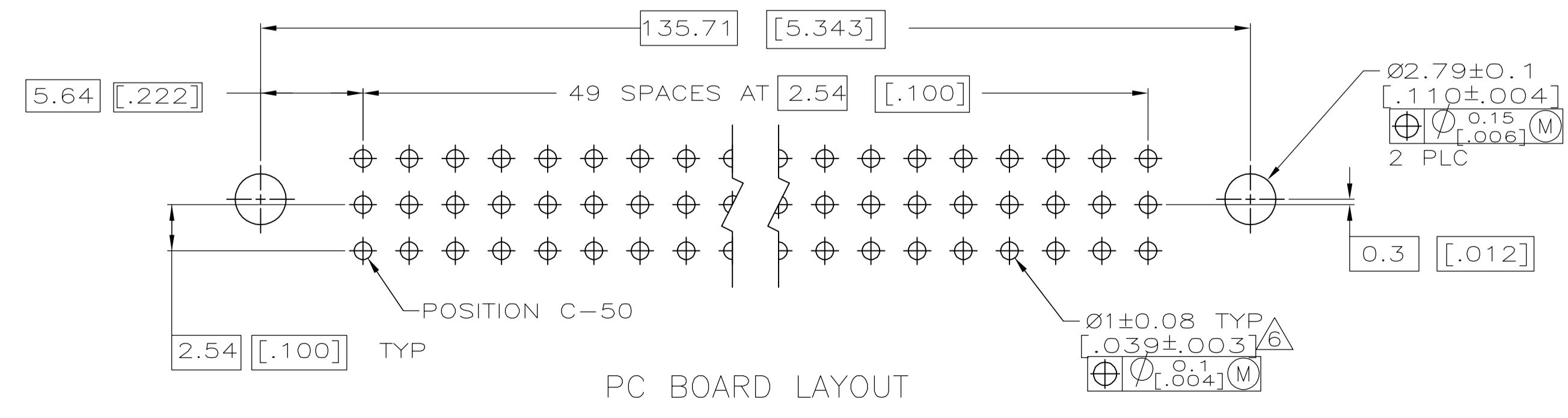
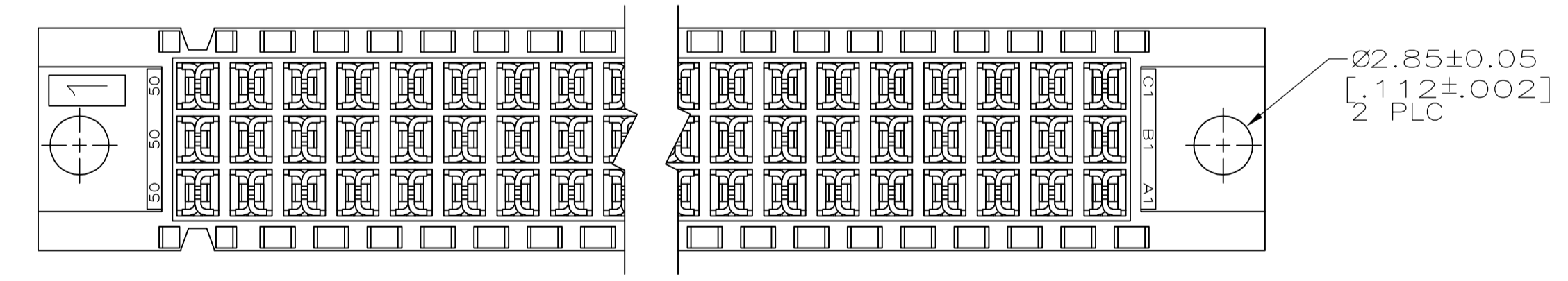
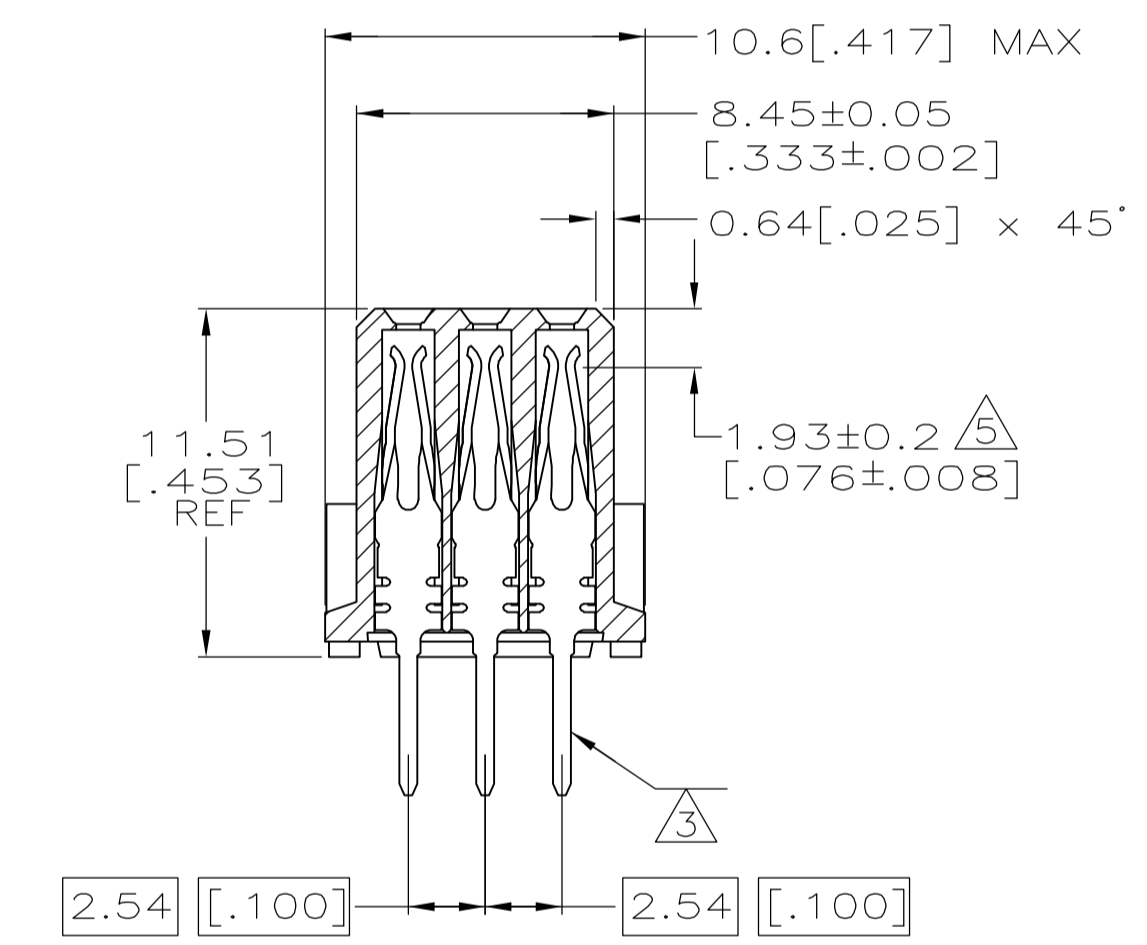
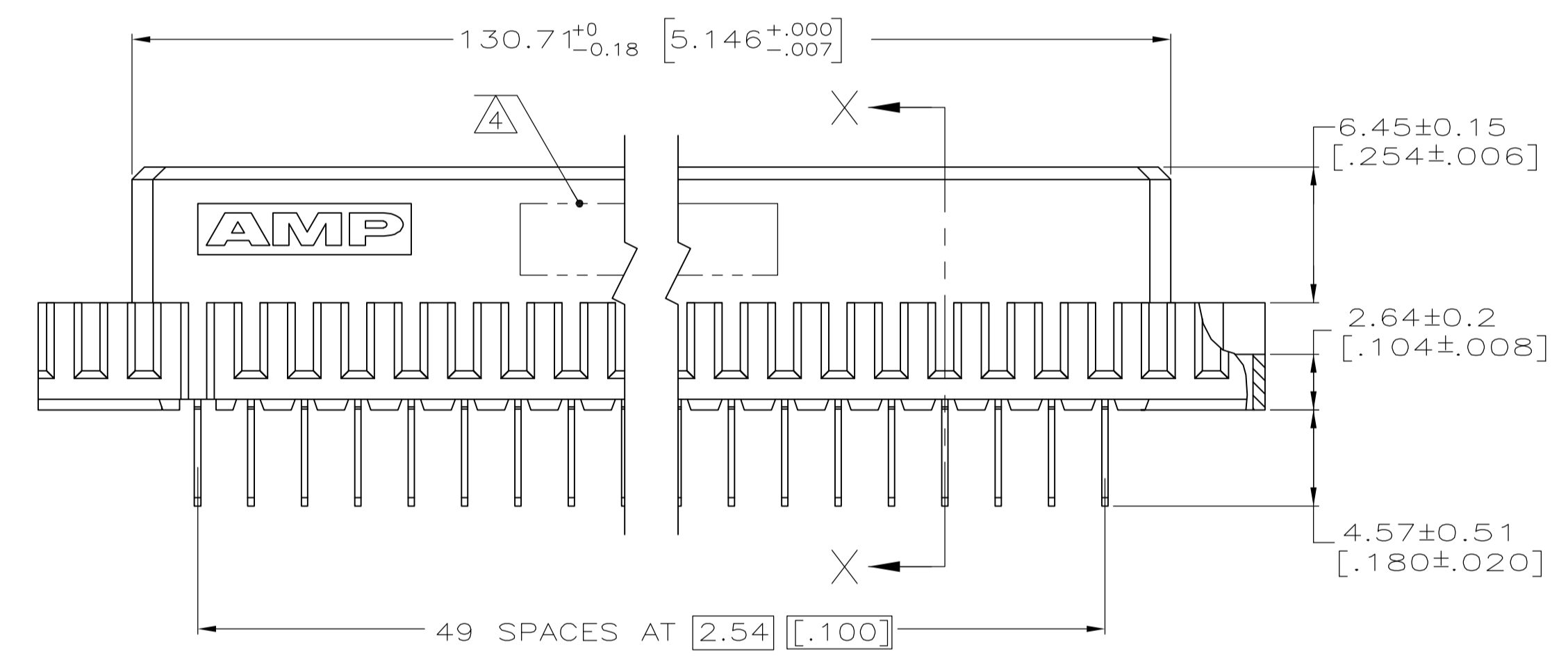
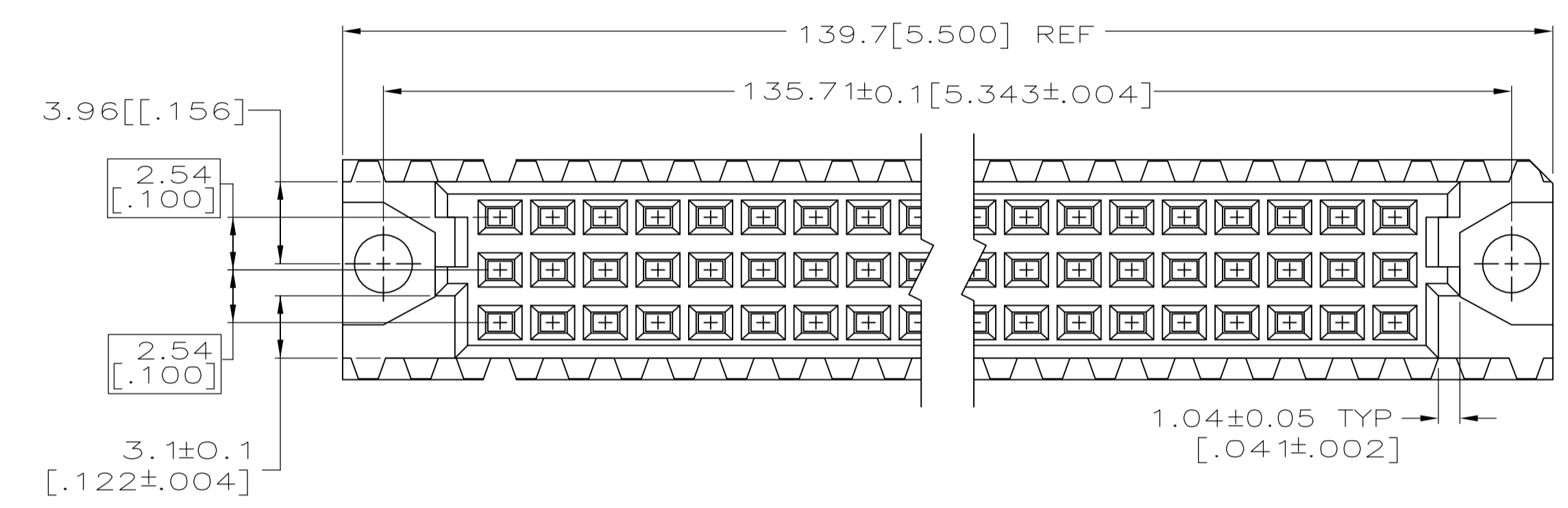


- 1 HOUSING MATERIAL: GLASS-FILLED POLYMER.
- 2 CONTACT MATERIAL: COPPER ALLOY.
- 3 CONTACT FINISH: DIN 41612 CLASS 2 IN CONTACT AREA. TIN PLATE ON POSTS.
- 4 PART NUMBER, DATE CODE IDENTIFICATION, CSA LOGO IN THIS APPROXIMATE AREA.
- 5 CONTACT POINT.
- 6 RECOMMENDED HOLE SIZE FOR MANUAL APPLICATION OF CONNECTOR ONTO PC BOARD.



1-50	X	X	X	150	5650406-5
POSITIONS LOADED	C	B	A	NO. OF LOADED POSITIONS	PART NUMBER

THIS DRAWING IS A CONTROLLED DOCUMENT.		DIN J. POLIGNONE 01SEP05	Tyco Electronics Corporation Harrisburg, PA 17105-3608
DIMENSIONS: mm [INCHES]		CIK A. SHARPE 01SEP05	
TOLERANCES UNLESS OTHERWISE SPECIFIED:		APVD A. SHARPE 01SEP05	NAME
0 PLC ± -			ASSEMBLY, RECEPTACLE, EUROCARD, TYPE C, 150 POSITION, 4.57 [0.180] SOLDER POSTS
1 PLC ± -			APPLICATION SPEC
2 PLC ± -			SIZE
3 PLC ± 0.13 [0.005]			WEIGHT
4 PLC ± -			SCALE
ANGLES ± -			SHEET
			REV
MATERIAL	FINISH	00779	C=5650406
		CUSTOMER DRAWING	