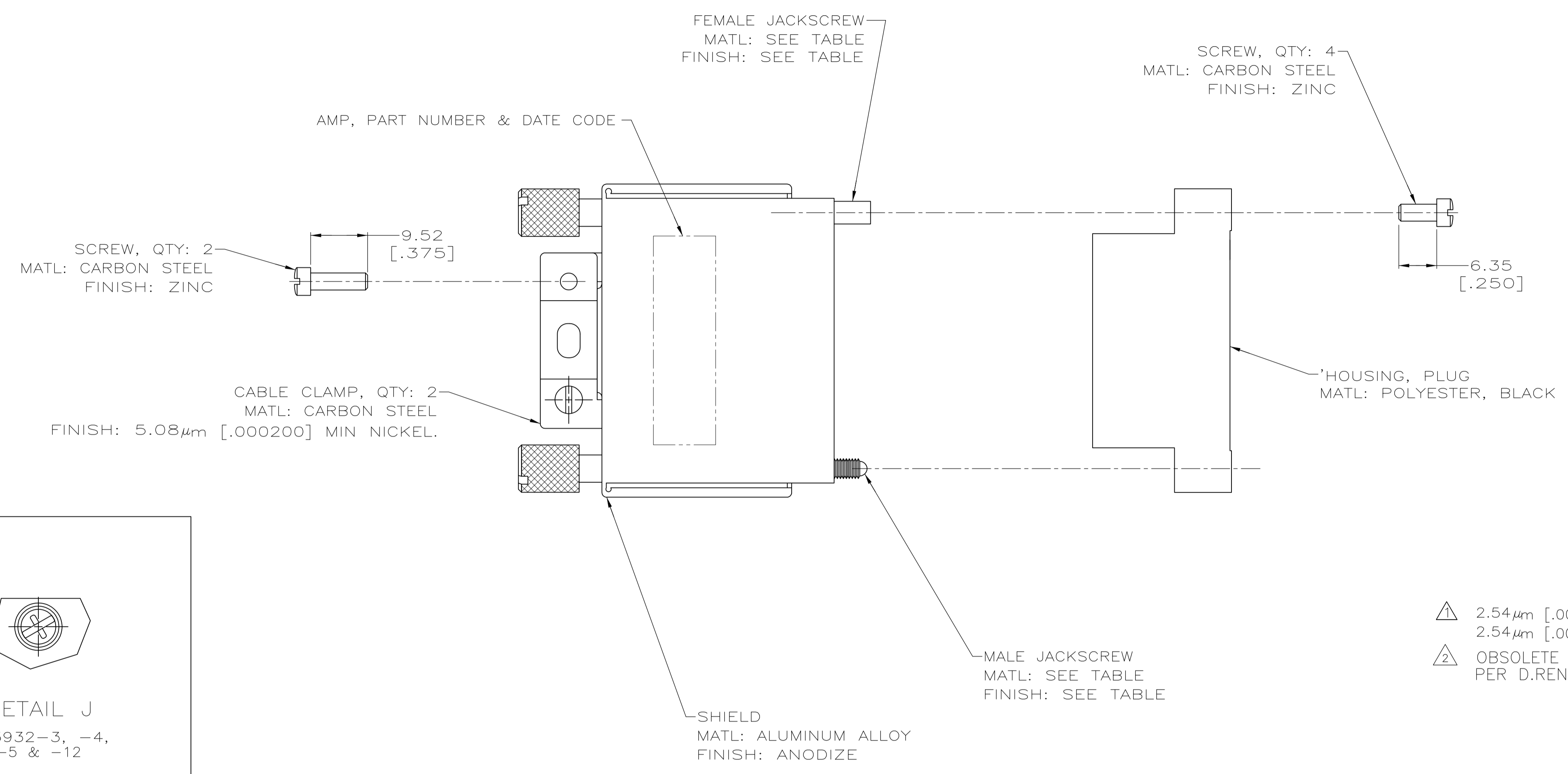
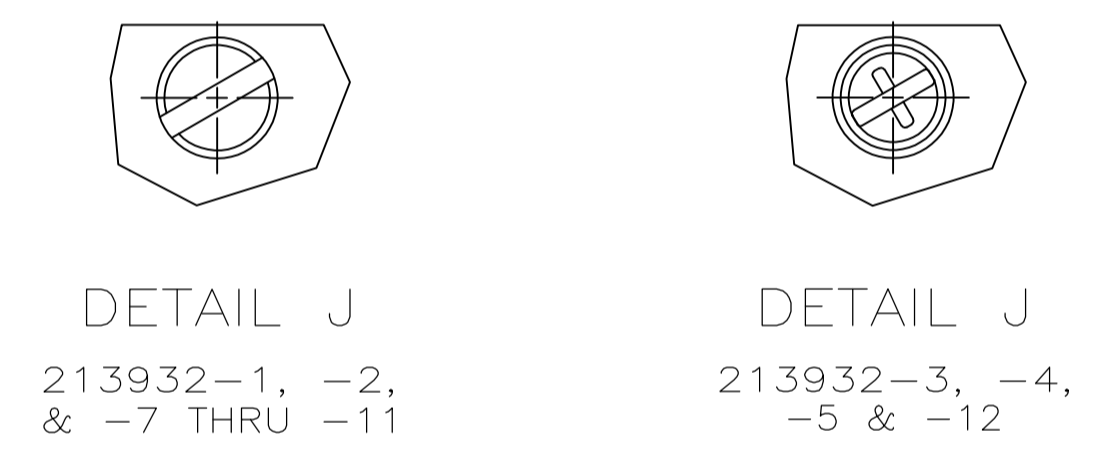


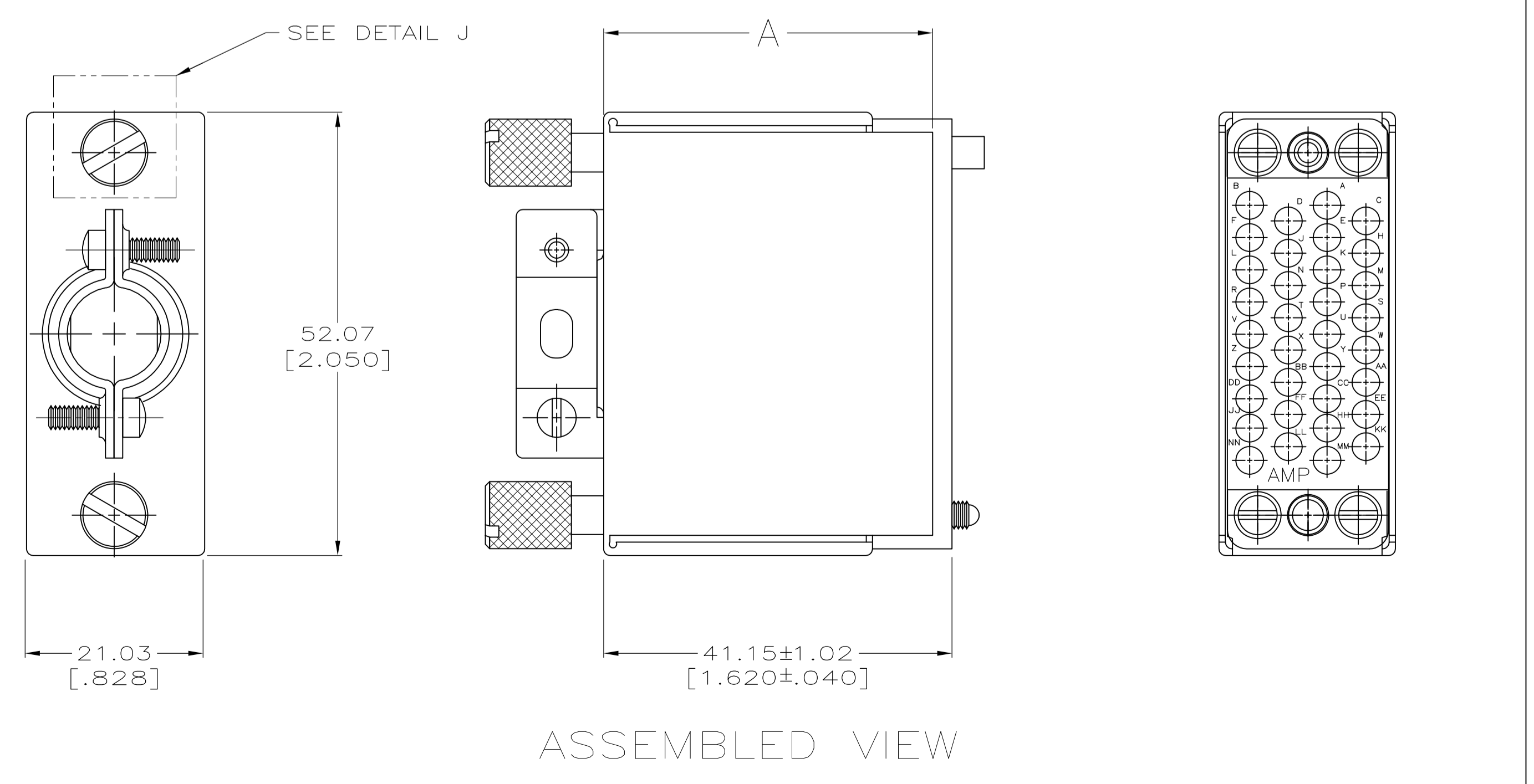
LOC	DIST	REVISIONS					
FT	8	P	LTR	DESCRIPTION	DATE	DWN	APVD
		0		RLSE -1 PER NPR 5450 WAS 95-7965-1-1	12DEC95	DB	MM
		A		ADDED -2 PER EC 0020-1451-95	21 DEC 95	DH	MM
		B		REV PER EC 0020-54-96	05 FEB 96	CR	MRM
		C		REV PER EC 0020-118-96	15 FEB 96	KF	MM
		D		ADDED -3 PER EC 0020-135-96	15 FEB 96	KF	MM
		E		REV PER EC 020-197-96	26 FEB 96	DH	MM
		F		ADDED -4 PER EC 0020-387-96	18 APR 96	BC	MM
		G		ADDED -5 PER EC 0020-0482-96	10 MAY 96	CR	MRM
		H		REV PER EC 0320-27-97	29 JAN 97	CO	MM
		J		ADDED -7 THRU -12 PER EC 0320-28-97	20 AUG 97	BC	MM
		K		ADDED 1-3 PER EC 0G3B-0064-99	16 AUG 99	SW	RB
		K1		REVISED PER ECO-09-020689	28 AUG 99	KK	AEG



- ① 2.54µm [.000100] MIN NICKEL OVER  
2.54µm [.000100] MIN COPPER.
- ② OBSOLETE PARTS: OBSOLETE CIS STREAMLINING PER D.RENAUD/D.SINISI



② OBSOLETE	38.86 [1.530]	7.62-11.43 [.300-.450]	BULK	-	STAINLESS STEEL	1-213932-3
② OBSOLETE	38.86 [1.530]	11.05-13.84 [.435-.545]	BULK	①	ZINC	1-213932-2
② OBSOLETE	38.86 [1.530]	5.08-7.62 [.200-.300]	INDIVIDUAL	-	STAINLESS STEEL	1-213932-1
② OBSOLETE	38.86 [1.530]	11.05-13.84 [.435-.545]	BULK	-	STAINLESS STEEL	1-213932-0
② OBSOLETE	50.04 [1.970]	7.62-11.43 [.300-.450]	INDIVIDUAL	-	STAINLESS STEEL	213932-9
② OBSOLETE	50.04 [1.970]	11.05-13.84 [.435-.545]	INDIVIDUAL	-	STAINLESS STEEL	213932-8
② OBSOLETE	38.86 [1.530]	11.05-13.84 [.435-.545]	INDIVIDUAL	-	STAINLESS STEEL	213932-7
② OBSOLETE	50.04 [1.970]	7.62-11.43 [.300-.450]	INDIVIDUAL	①	ZINC	213932-5
	38.86 [1.530]	7.62-11.43 [.300-.450]	INDIVIDUAL	①	ZINC	213932-4
	38.86 [1.530]	11.05-13.84 [.435-.545]	INDIVIDUAL	①	ZINC	213932-3
	38.86 [1.530]	7.62-11.43 [.300-.450]	INDIVIDUAL	-	STAINLESS STEEL	213932-2
② OBSOLETE	38.86 [1.530]	11.05-13.84 [.435-.545]	BULK	-	STAINLESS STEEL	213932-1
A	CABLE RANGE DIA	PACKAGING	FINISH	MATERIAL	PART NUMBER	



THIS DRAWING IS A CONTROLLED DOCUMENT FOR AMP INCORPORATED.  
 IF IT IS SUBJECT TO CHANGE AND THE CONTROLLING ENGINEERING  
 ORGANIZATION SHOULD BE CONTACTED FOR THE LATEST REVISION.

DIMENSIONS:  
mm [INCHES]

TOLERANCES UNLESS  
OTHERWISE SPECIFIED:

0	PLC	±
1	PLC	±
2	PLC	±0.76 [0.030]
3	PLC	±
4	PLC	±
	ANGLES	±

MATERIAL: SEE CALLOUTS  
FINISH: SEE CALLOUTS

DWN: D. BROCKWAY 12DEC95  
CHK: C. DORWART 12DEC95  
APVD: M. MCALONIS 13DEC95

AMP Incorporated  
Harrisburg, PA 17105-3608

CONNECTOR KIT, UNASSEMBLED, PLUG,  
34 POSITION, M SERIES

SIZE: A1 CAGE CODE: 00779 DRAWING NO: 213932  
SCALE: 2:1 SHEET 1 OF 1 REV: K1

CUSTOMER DRAWING