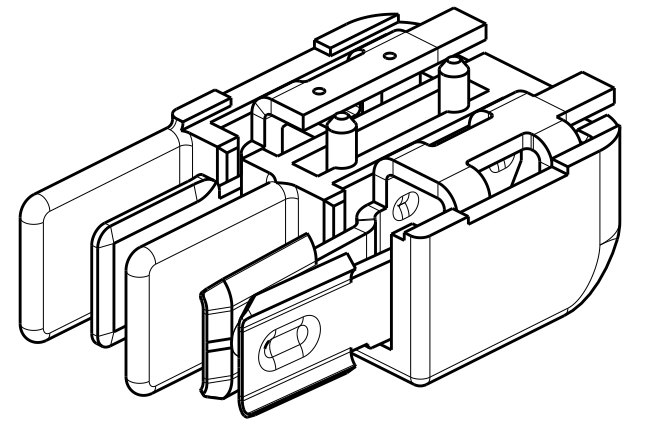
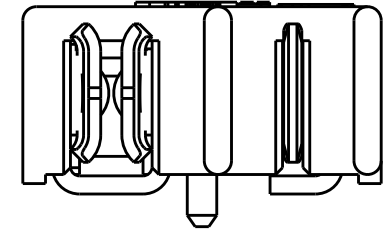
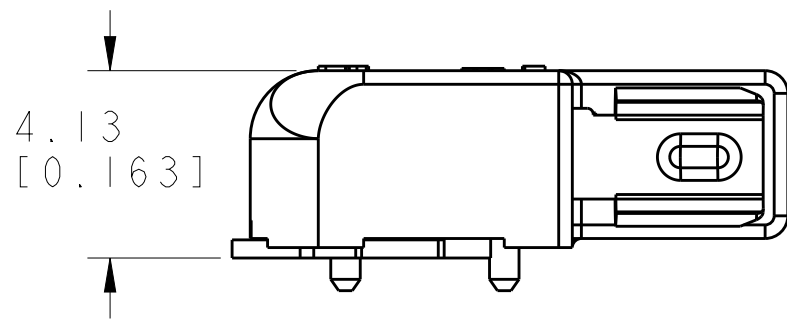
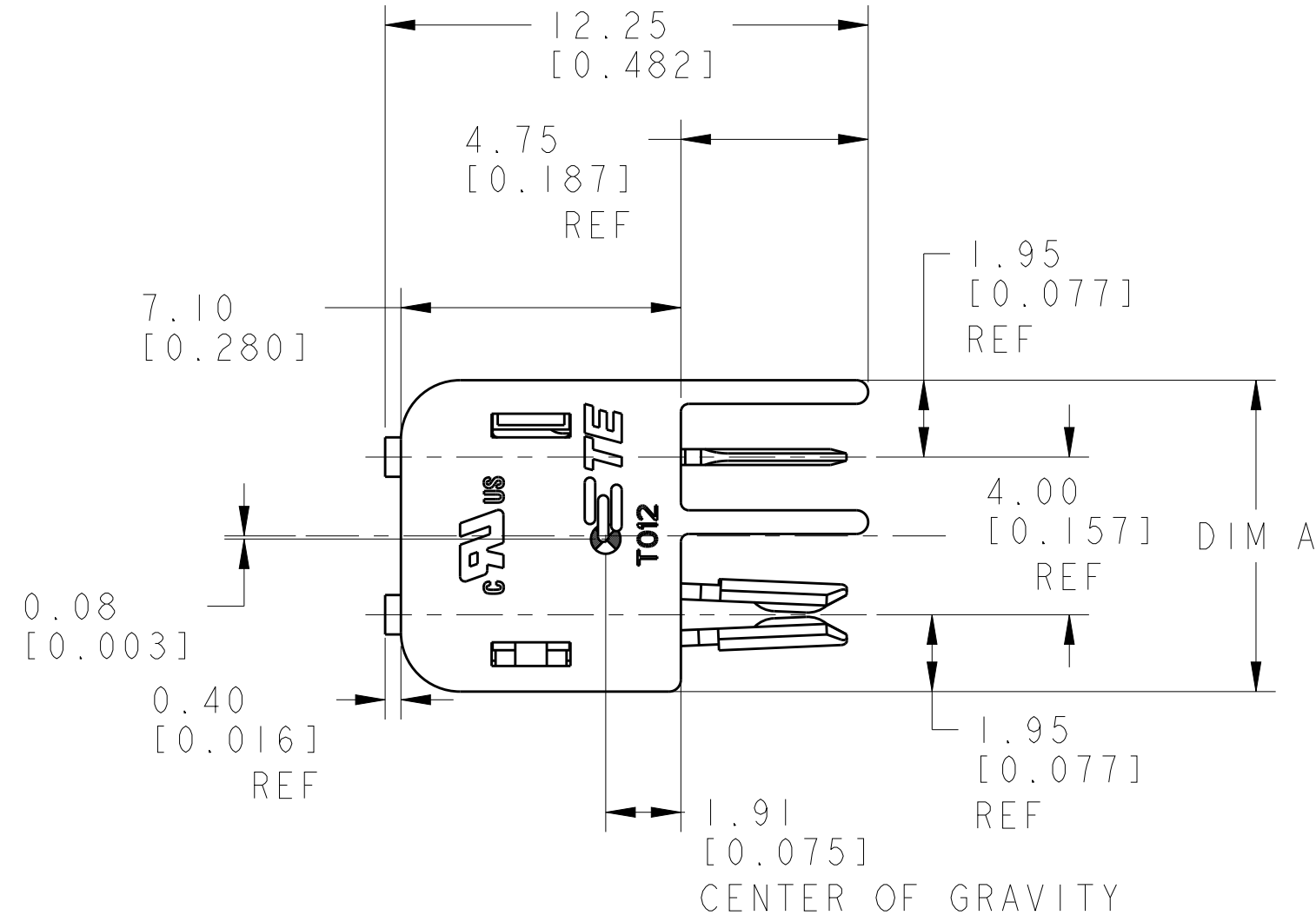


THIS DRAWING IS UNPUBLISHED. RELEASED FOR PUBLICATION 20
 © COPYRIGHT 20 BY - ALL RIGHTS RESERVED.

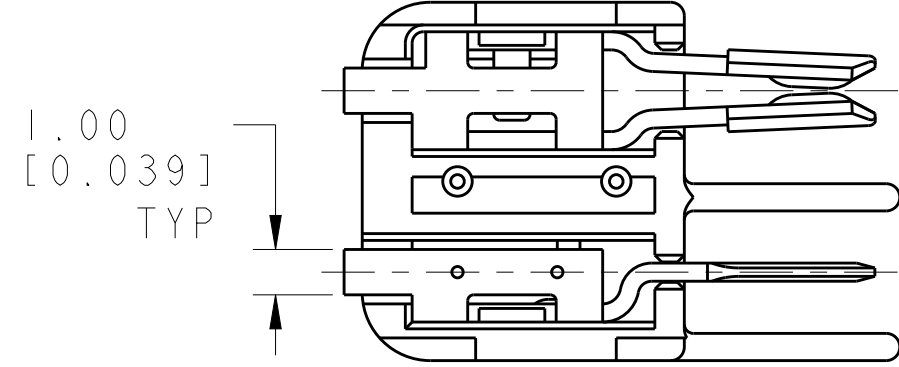
REVISIONS							
LOC	DIST	P	LTR	DESCRIPTION	DATE	DWN	APVD
-	-	A		REVISED PER ECR-16-012852	08SEP2016	RS	PO

NOTES:

- 1. MATERIALS AND FINISH
 - HOUSING: LCP
 - CONTACTS: COPPER ALLOY, FINISH: TIN
- 2. PRODUCT TO COMPLY WITH DIRECTIVE 2002/95/EC (ROHS)
- 3. PACKAGED IN TAPE AND REEL PER EIA-481 SPECIFICATIONS



2213504-1 SHOWN



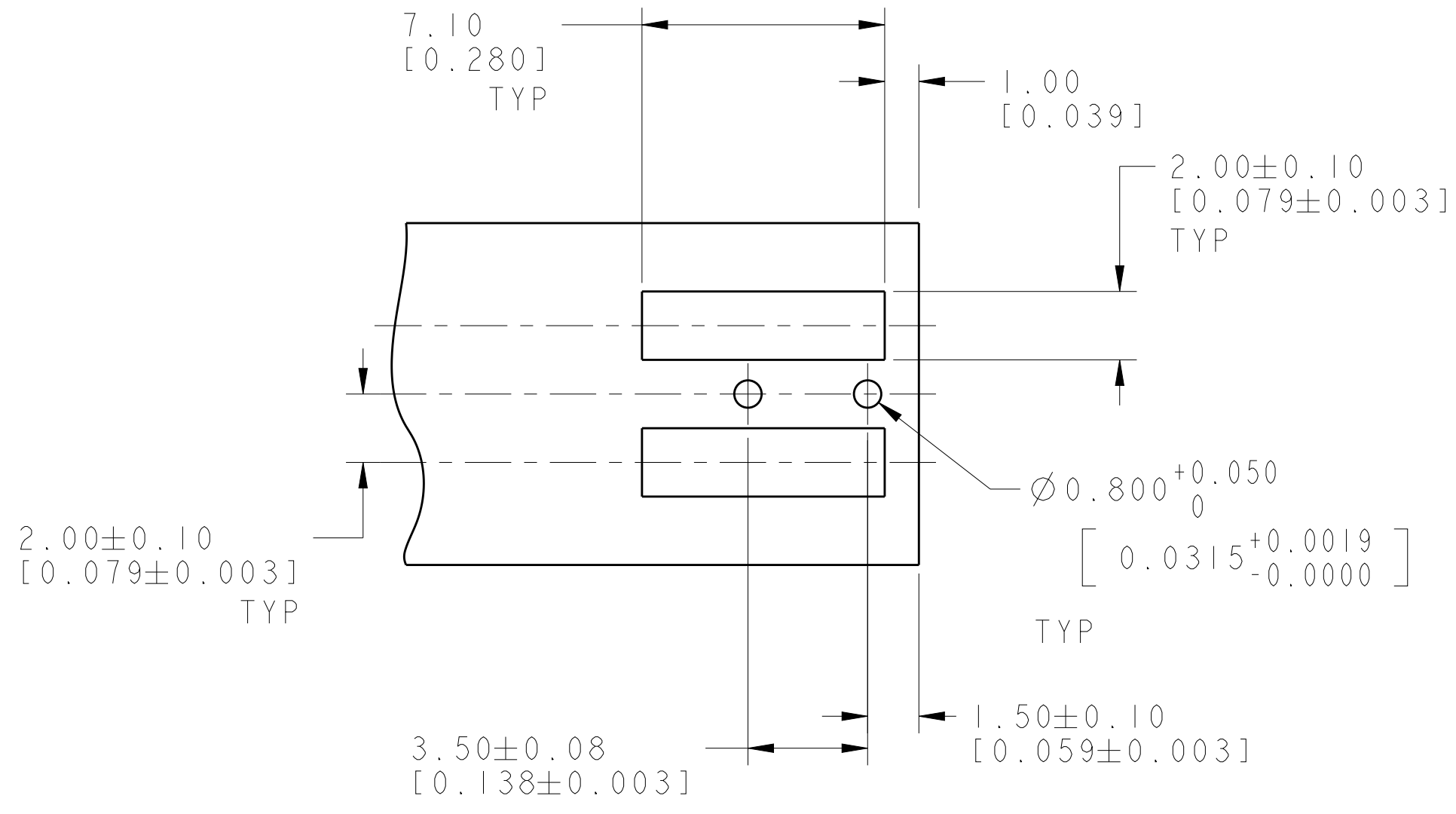
6	BLACK	23.90	1-2213504-3
4	BLACK	15.90	1-2213504-2
2	BLACK	7.90	1-2213504-1
6	NATURAL	23.90	2213504-3
4	NATURAL	15.90	2213504-2
2	NATURAL	7.90	2213504-1
POSITION	COLOR	DIM A	PART NO.

THIS DRAWING IS A CONTROLLED DOCUMENT.

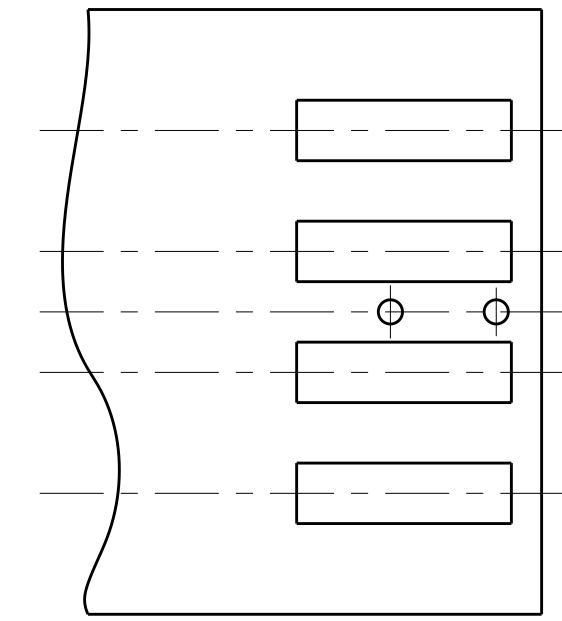
DWN RAVLS 07MAY2014	 TE Connectivity	NAME		
CHK D. DECKER 07MAY2014		CONNECTOR ASSEMBLY, HERMAPHRODITIC BLADE AND RECEPTACLE, WITH BOSS		
APVD D. DECKER 07MAY2014		SIZE	CAGE CODE	DRAWING NO.
PRODUCT SPEC		108-2342	A200779	C-2213504
MATERIAL	114-13225	RESTRICTED TO	-	
DIMENSIONS: mm 	TOLERANCES UNLESS OTHERWISE SPECIFIED: 0 PLC ± 1 PLC ± 2 PLC ±0.13 3 PLC ±0.013 4 PLC ± ANGLES ±1° FINISH	APPLICATION SPEC 114-13225 WEIGHT - CUSTOMER DRAWING	SCALE 6:1 SHEET 1 OF 2 REV A	

THIS DRAWING IS UNPUBLISHED. RELEASED FOR PUBLICATION 20
 © COPYRIGHT 20 BY - ALL RIGHTS RESERVED.

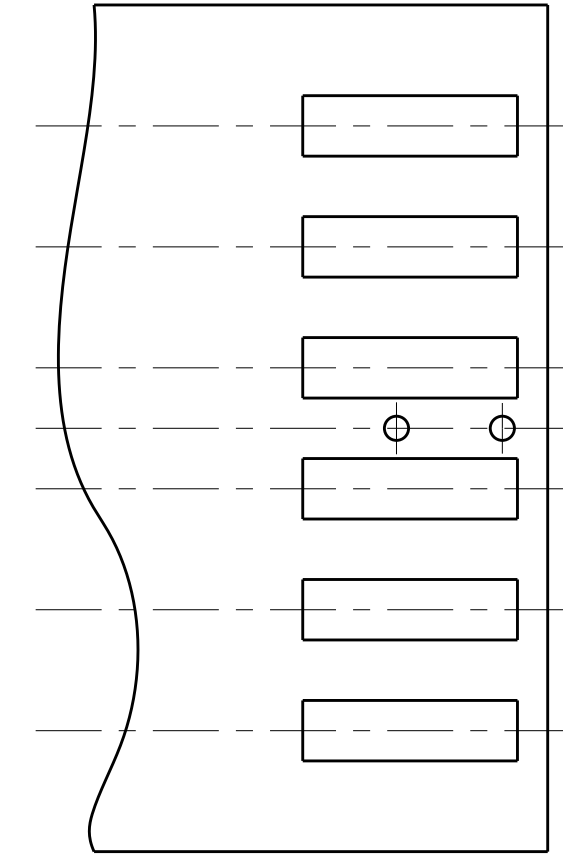
LOC		DIST		REVISIONS			
P	LTR	DESCRIPTION	DATE	DWN	APVD		
-	-	SEE SHEET 1	-	-	-		



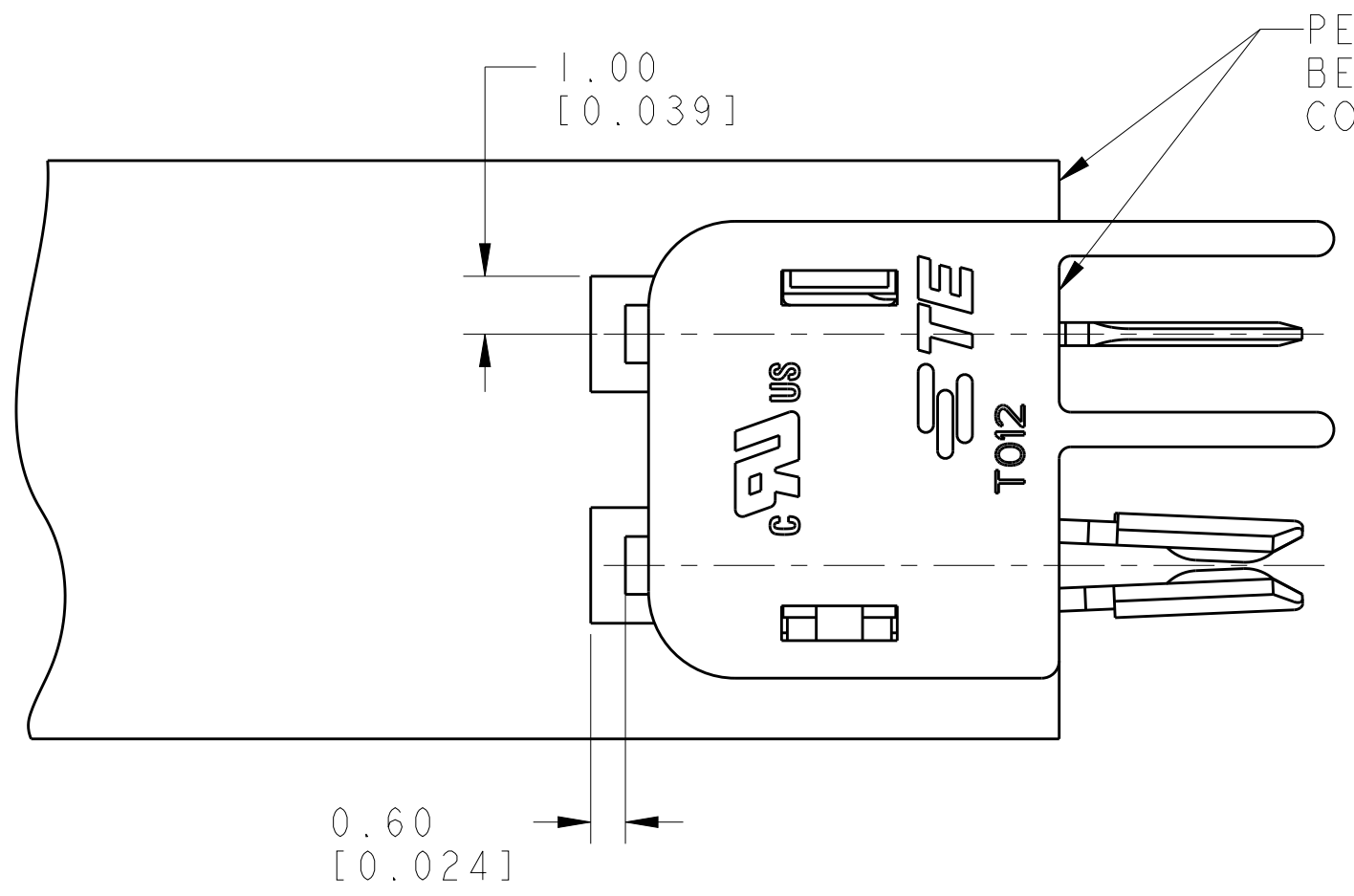
RECOMMENDED PCB LAYOUT FOR 2213504-1 & 1-2213504-1



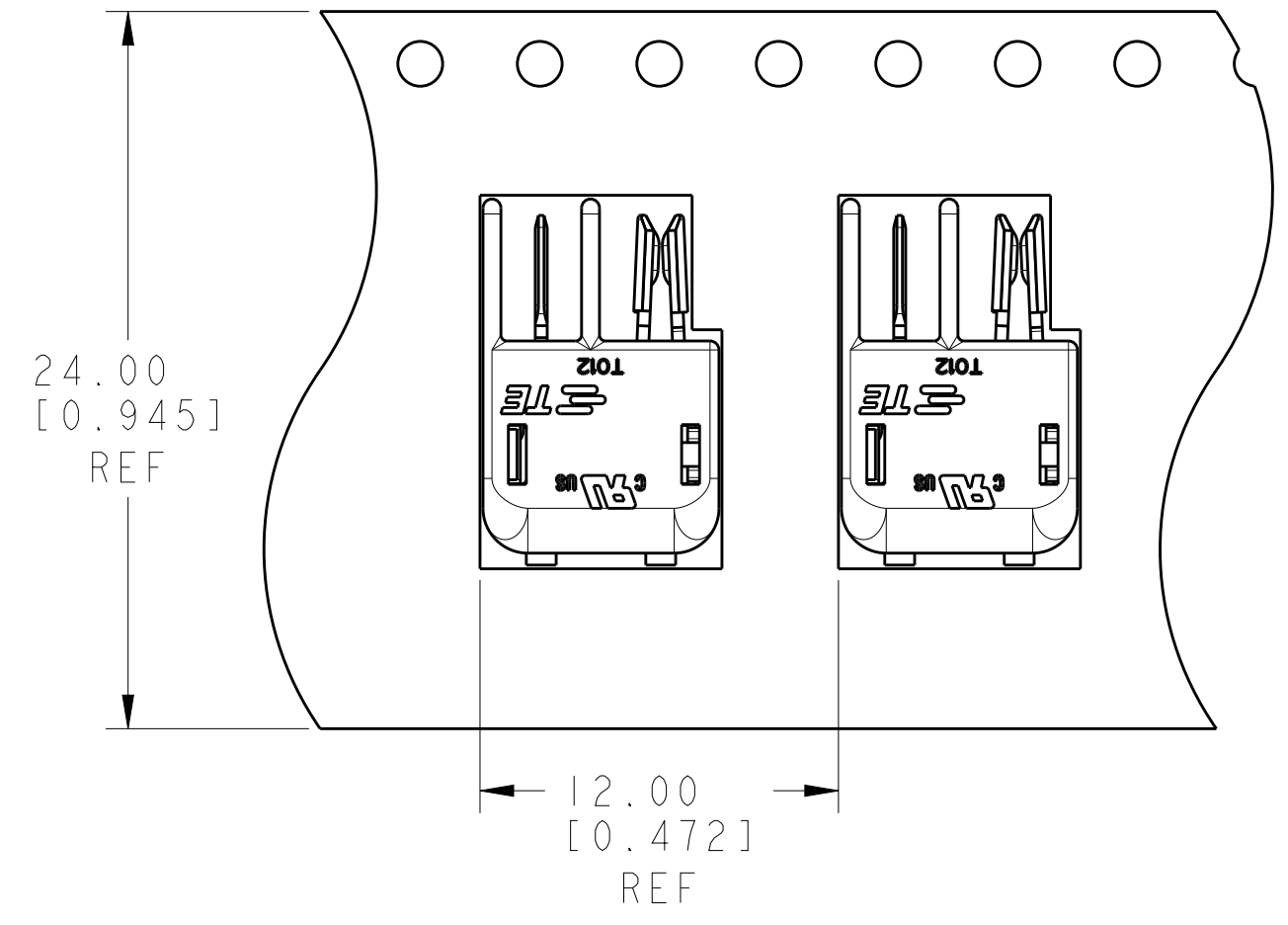
RECOMMENDED PCB LAYOUT FOR 2213504-2 & 1-2213504-2



RECOMMENDED PCB LAYOUT FOR 2213504-3 & 1-2213504-3



SCALE 8:1



TO BE PACKAGED AS SHOWN

THIS DRAWING IS A CONTROLLED DOCUMENT.		DWN RAVLS 07MAY2014	TE Connectivity	
		CHK D. DECKER 07MAY2014		
		APVD D. DECKER 07MAY2014	NAME CONNECTOR ASSEMBLY, HERMAPHRODITIC BLADE AND RECEPTACLE, WITH BOSS	
DIMENSIONS: mm		PRODUCT SPEC 108-2342		SIZE 114-13225
TOLERANCES UNLESS OTHERWISE SPECIFIED: 0 PLC ± 1 PLC ± 2 PLC ±0.13 3 PLC ±0.013 4 PLC ± ANGLES ±1° FINISH		APPLICATION SPEC		RESTRICTED TO
MATERIAL		WEIGHT		SCALE 6:1
		CUSTOMER DRAWING		SHEET 2 OF 2
				REV A