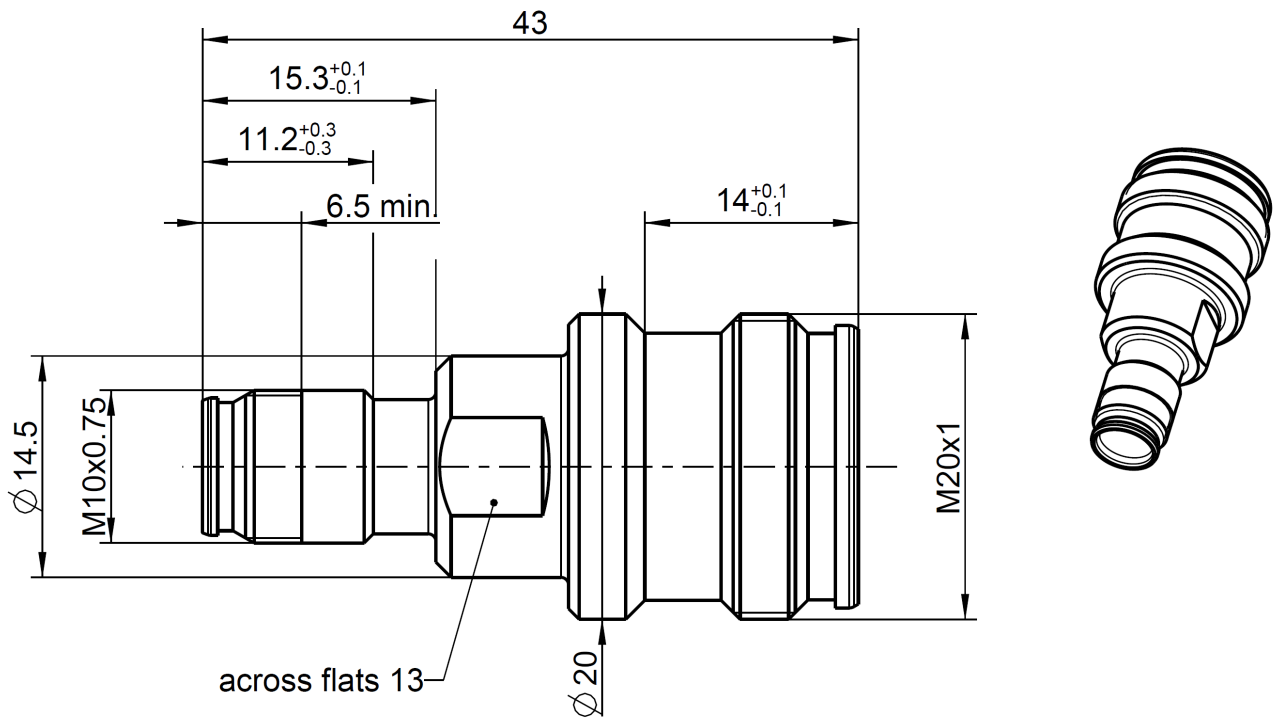


Adaptor
NEX10 jack – 4.3-10 jack

64K189-K00N1



All dimensions are in mm; tolerances according to ISO 2768 m-H

Interface

According to	NEX10 side:	NEX10™
	4.3-10 side:	IEC 61169-54

Documents

Assembly instruction	N/A
----------------------	-----

Material and plating

Connector parts

Center contact		Material	CuBe	Plating	Silver, 3-6 µm
Outer contact	NEX10 side:		Brass		White bronze(e.g. Optalloy®)
Outer contact	4.3-10 side:		Brass		Silver, 3-6 µm
Body			Brass		White bronze(e.g. Optalloy®)
Dielectric			PTFE		

Dieses Dokument ist urheberrechtlich geschützt • This document is protected by copyright • Rosenberger Hochfrequenztechnik GmbH & Co. KG

RF_35/05.10/6.0

Adaptor
NEX10 jack – 4.3-10 jack

64K189-K00N1

Electrical data

Impedance	50 Ω
Frequency	DC to 12 GHz
Return loss	≥ 36 dB @ DC to 4 GHz ≥ 34 dB @ 4 GHz to 6 GHz ≥ 32 dB @ 6 GHz to 10 GHz
Insertion loss	≤ 0.05 x √ f [GHz] dB
Insulation resistance	≥ 5 GΩ
Center contact resistance	≤ 2.0 mΩ, NEX10 side ≤ 1.0 mΩ, 4.3-10 side
Outer contact resistance	≤ 1.0 mΩ, NEX10 side ≤ 1.0 mΩ, 4.3-10 side
Test voltage	500 V rms
RF-leakage	≥ 110 dB @ DC to 6 GHz (tool tightened plugs)
Power handling	100 W @ 2.0 GHz and 85°C ambient temperature

Mechanical data

	NEX10 side	4.3-10 side
Mating cycles	≥ 100	≥ 100
Recommended torque	1.5 Nm	5 Nm

Environmental data

Temperature range	-55 °C to +90 °C operating temperature
Thermal shock	IEC 61169-1 9.4.4
Vibration	IEC 61169-1 9.3.3 and IEC 60068-2-64
Shock	IEC 61169-1 9.3.14
Degree of protection (mated pair)	IEC 60529, IP68 24h / 1m
RoHS	compliant

Tooling

N/A

Suitable cables

N/A

Weight

Weight 39.5g/pce

While the information has been carefully compiled to the best of our knowledge, nothing is intended as representation or warranty on our part and no statement herein shall be construed as recommendation to infringe existing patents. In the effort to improve our products, we reserve the right to make changes judged to be necessary.

Draft	Date	Approved	Date	Rev.	Engineering change number	Name	Date
F. Fraunhofer	19.01.17	F. Fraunhofer	16.01.2018	300	18-v026	Tobias Stadler	16.01.2018
Rosenberger Hochfrequenztechnik GmbH & Co. KG P.O.Box 1260 D-84526 Tittmoning Germany www.rosenberger.de						Tel. : +49 8684 18-0 Email : info@rosenberger.de	
							Page 2 / 2