

SPECIFICATIONS

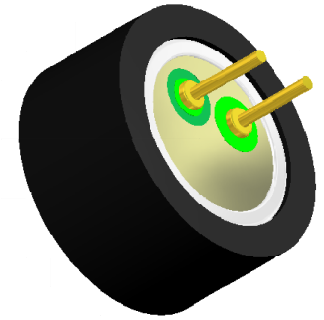
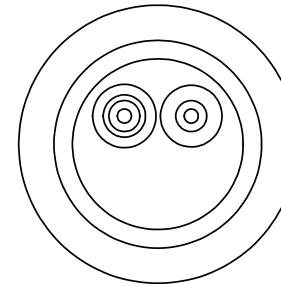
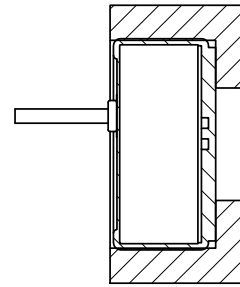
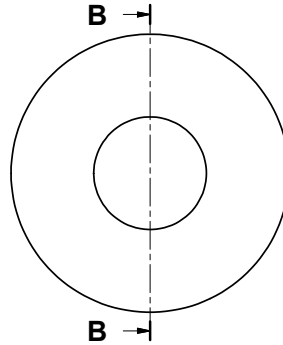
| PARAMETERS | VALUES | UNIT |
|------------------------------|---------|------|
| DIRECTIVITY | OMINI | - |
| SENSITIVITY | -42 ± 3 | dB |
| STANDARD OPERATING VOLTAGE | 2 | Vdc |
| MAX OPERATING VOLTAGE | 10 | Vdc |
| CURRENT CONSUMPTION (MAX) | 0.5 | mA |
| IMPEDANCE | 2.2 | KOhm |
| SIGNAL TO NOISE RATIO (MIN.) | 60 | dB |
| TERMINAL | PIN | - |
| INTERNAL CAPACITOR | 33&10 | pF |

THIS DOCUMENT CONTAINS DATA PROPRIETARY TO PROJECTS UNLIMITED, INC. ANY USE OR REPRODUCTION, IN ANY FORM, WITHOUT PRIOR WRITTEN PERMISSION OF PROJECTS UNLIMITED, INC. IS PROHIBITED.
©2003, Projects Unlimited Inc.

REVISION HISTORY

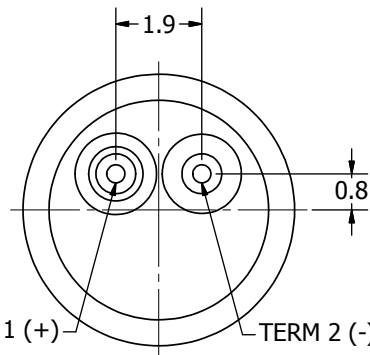
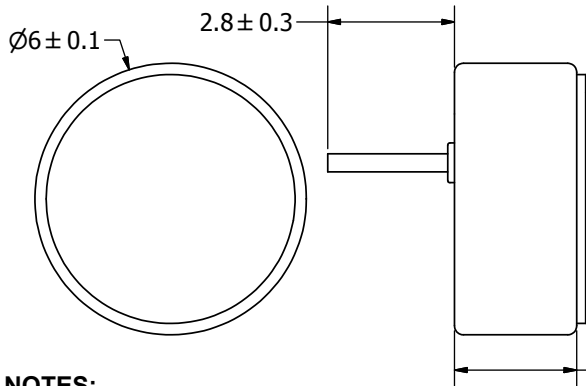
| LTR | DESCRIPTION | DATE | APPROVED |
|-----|--|------------|----------|
| - | RELEASED FROM ENGINEERING | 10/19/2006 | |
| A | REVISED IP RATING | 7/2/2008 | B.R. |
| B | REVISED TO INVENTOR 3-D DRAWING TEMPLATE | 10/25/2010 | B.R. |

ASSEMBLY



B-B (7:1)

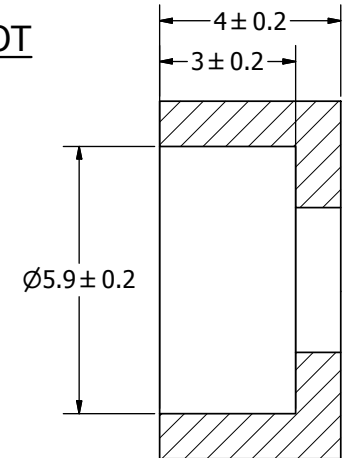
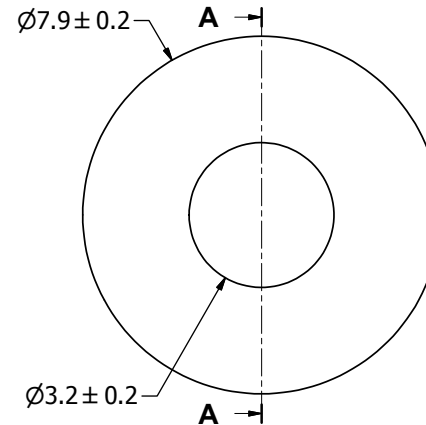
MICROPHONE



TERM 1 (+)
2.7 ± 0.2

TERM 2 (-)


BOOT



A-A (9:1)

NOTES:

1. ALL DIMENSIONS ARE IN MILLIMETERS.
2. SPECIFICATIONS SUBJECT TO CHANGE OR WITHDRAWAL WITHOUT NOTICE.
3. THIS PART IS RoHS 2002/95/EC COMPLIANT.
4. PART IS IP57 RATED.
5. ASSEMBLY IS WASHABLE WITH BOOT IN PLACE.

| UNLESS OTHERWISE SPECIFIED: DIMENSIONS ARE IN MILLIMETERS, TOLERANCES ARE ±0.5 AND ANGLES ARE ±3°. | SIZE A3 | Designed by | Date | Checked by | Date | Approved by | Date | Drawn Date |
|--|-------------------|--|------------|------------|------------|-------------|------------|------------|
| | | J.D. | 10/19/2006 | B.R. | 10/19/2006 | R.W. | 10/19/2006 | 10/25/2010 |
| POW-2742P-C3310-B-R.idw | |  POW-2742P-C3310-B-R Microphone | | | Edition | Sheet | | |
| | | | | | - | 1 / 1 | | |