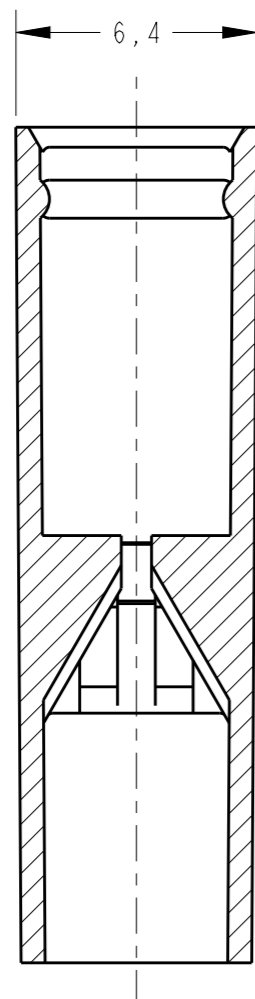
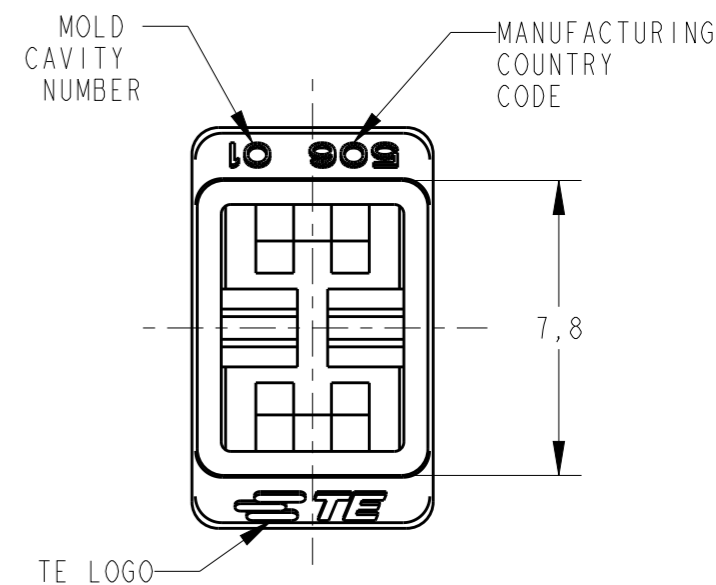
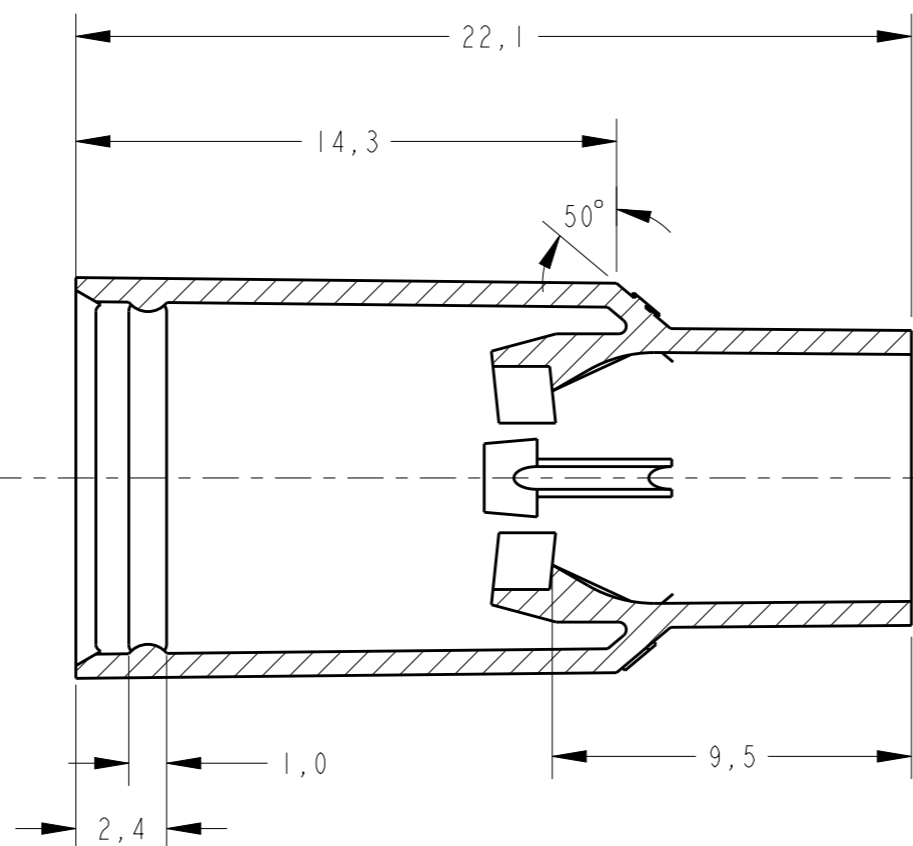
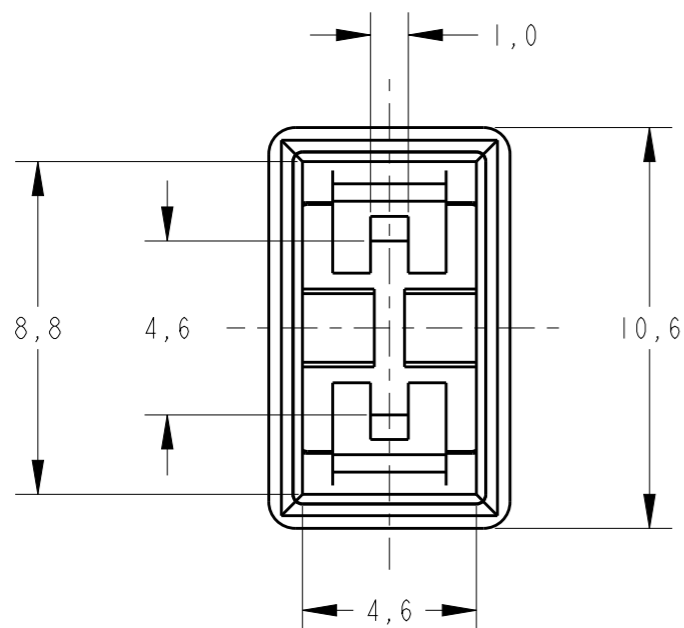


THIS DRAWING IS UNPUBLISHED. RELEASED FOR PUBLICATION 20
© COPYRIGHT 20 BY - ALL RIGHTS RESERVED.

LOC AP DIST -

REVISIONS					
P	LTR	DESCRIPTION	DATE	DWN	APVD
	CI	REV. BY ECO 14-010611	30JUL2014	HC	WLS



SECTION A-A

SECTION B-B

BLACK	PA 6.6	881339-3
NATURAL	PA6.6 V-0 OR PA6.6+PA6 V-0	881339-2
NATURAL	PA 6.6	881339-1
FINISH	MATERIAL	PART NUMBER

THIS DRAWING IS A CONTROLLED DOCUMENT.		DWN H. CANTERI 30JUL2014	STE TE Connectivity	
		CHK W.L. STEFANI 30JUL2014		
DIMENSIONS: mm	TOLERANCES UNLESS OTHERWISE SPECIFIED: 0 PLC ±- 1 PLC ±0,3 2 PLC ±- 3 PLC ±- 4 PLC ±- ANGLES ±1°	APVD -	NAME SLEEVE FOR 6,35(.250)FASTON TAB	
MATERIAL -	FINISH -	PRODUCT SPEC -	SIZE A3	CAGE CODE -
		APPLICATION SPEC -	DRAWING NO C-881339	RESTRICTED TO -
		WEIGHT -	SCALE 5:1	SHEET 1 OF 1
		Customer Drawing	REV CI	