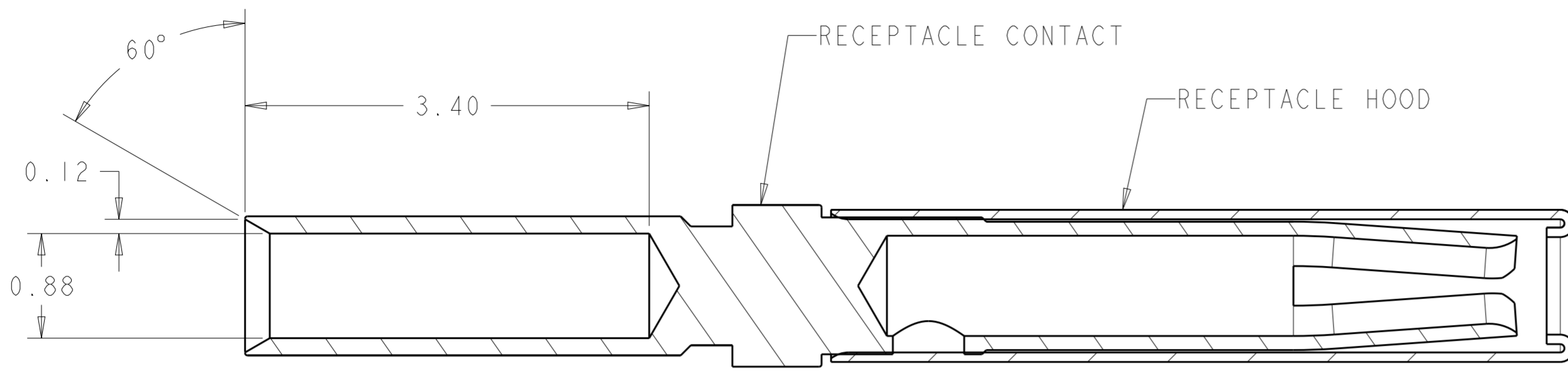
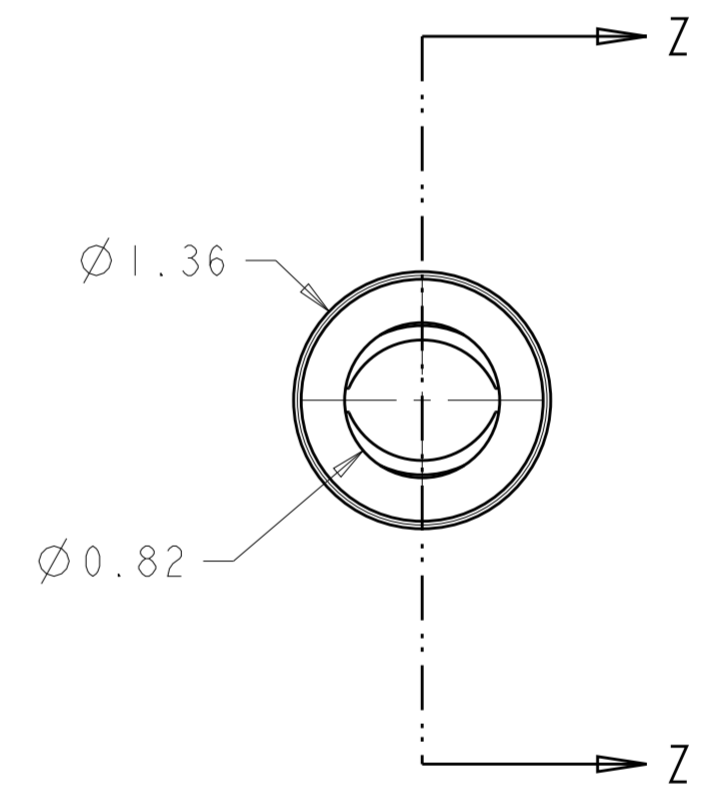
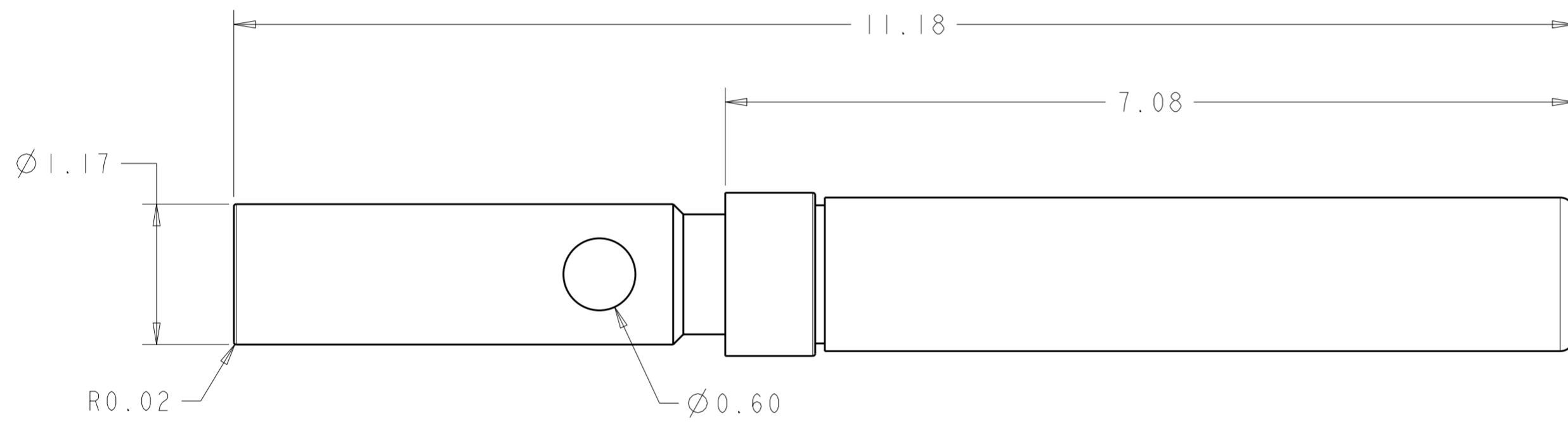


THIS DRAWING IS UNPUBLISHED. RELEASED FOR PUBLICATION 20
 © COPYRIGHT 20 BY - ALL RIGHTS RESERVED.

REVISIONS				
P	LTR	DESCRIPTION	DATE	APVD
A		RELEASED PER ECO 16-000564	1-28-16	CT DM



SECTION Z-Z



- 1 MATERIAL;
RECEPTACLE CONTACT: COPPER ALLOY.
RECEPTACLE HOOD: STAINLESS STEEL.
- 2 FINISH;
RECEPTACLE CONTACT: 1.27µm GOLD PER ASTM B488 TYPE II CODE C CLASS 1.25
OVER 1.27-2.54µm NICKEL PER QQ-N-290 CLASS 2.
RECEPTACLE HOOD: PASSIVATED PER AMS-QQ-P-35.

2226923-1
PART NO

THIS DRAWING IS A CONTROLLED DOCUMENT.		DWN L.SIPE 04FEB2014	STE TE Connectivity															
		CHK C.YI 14FEB2014																
DIMENSIONS: mm		TOLERANCES UNLESS OTHERWISE SPECIFIED:		APVD -														
<table border="0"> <tr><td>0 PLC</td><td>±</td></tr> <tr><td>1 PLC</td><td>±</td></tr> <tr><td>2 PLC</td><td>±0.05</td></tr> <tr><td>3 PLC</td><td>±</td></tr> <tr><td>4 PLC</td><td>±</td></tr> <tr><td>ANGLES</td><td>±</td></tr> <tr><td>FINISH</td><td>±</td></tr> </table>		0 PLC	±	1 PLC	±	2 PLC	±0.05	3 PLC	±	4 PLC	±	ANGLES	±	FINISH	±	NAME HOODED SOCKET CONTACT SIZE 23 NETT WARRIOR		PRODUCT SPEC -
0 PLC	±																	
1 PLC	±																	
2 PLC	±0.05																	
3 PLC	±																	
4 PLC	±																	
ANGLES	±																	
FINISH	±																	
MATERIAL 1		APPLIC. SPEC -		WEIGHT -														
		SIZE A2		CAGE CODE -														
		DRAWING NO G-2226923		RESTRICTED TO -														
CUSTOMER DRAWING		SCALE 25:1		SHEET OF REV A														