

PRODUCT NUMBER	PITCH
H5xx10x000J0G	3.50 mm

Dimension

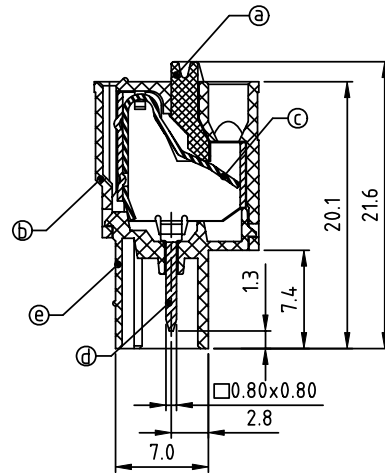
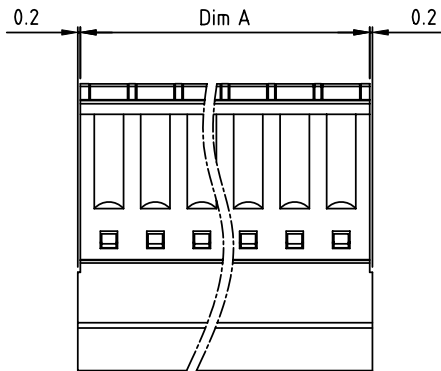
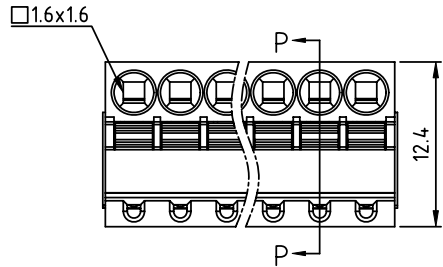
DIM A	$(N-1) \times 3.5 + 4.3$
DIM B	$(N-1) \times 3.5$

N=Number of poles

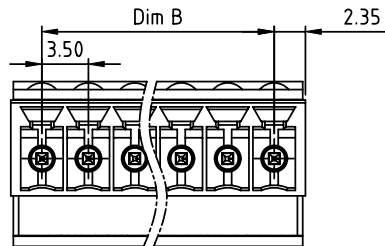
POLES	Tolerance
2p-6p	±0.10
7p-12p	±0.15
13p-18p	±0.20
19p-24p	±0.30

PART NO.: H5 xx 1 0 x 0 00J0 G

Solid block	0	Color	0	Black (RAL9005)	RoHS compliant
No. of poles	2		1	Red (RAL3001/D)	(lead<4%)
02 2 poles	3		2	Orange(RAL2011/P)	In copper Alloy
03 3 poles	4		3	Yellow(RAL1018/A)	
...	...		4	Green(RAL6018/T)	
24 24 poles	6		5	Blue (RAL5015/A)	
	8		6	Grey(RAL7035/D)	
	9		7	White(RAL1102)	
	C		8	Green(RAL6018/U)	



SECTION P-P



Material:

- ItemⒶ Terminal lever: Thermoplastic (UL94V-0) Orange (RAL2001/P)
- ItemⒷ Top body: Thermoplastic (UL94V-0)
- ItemⒸ Spring Clamp: Stainless steel
- ItemⒹ Male contact pin: Phbz.Tin plated
- ItemⒺ Bottom body: Thermoplastic (UL94V-0)

Electrical:

- Voltage rating: 300V
- Current rating: 4A
- Wire range:
  - Solid wire(AWG): 16-28
  - Stranded wire(AWG): 16-28
  - Wire strip length: 9-10 mm
- Withstanding Voltage: 1.6 KV
- Operating temperature: -40°C to +115°C
- Safety Approval: cULus

mat'l. code		surface ASME Y14.5	tolerance ASME Y14.5	projection	product family TERMINAL BLOCK	
ltr	ecn no	dr	date	 MM	title	
					TERMINAL BLOCK SPRING CLAMP, PLUGGABLE PLUG MALE CONNECTOR	
				 scale	sheet 1 of 1	
					size A4	
					H5xx10x000J0G	
					type CUSTOMER Drawing	
dr	ENGR	EVIN ZHONG	051614			
chr	CHR	HANKE FENG	051614			
appd	APPD	SHI JUN	051614			
sheet index	revision sheet	A	1			