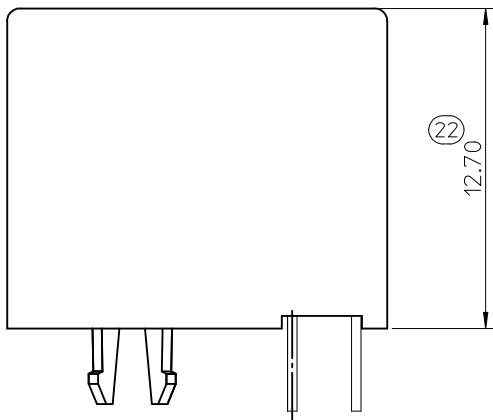


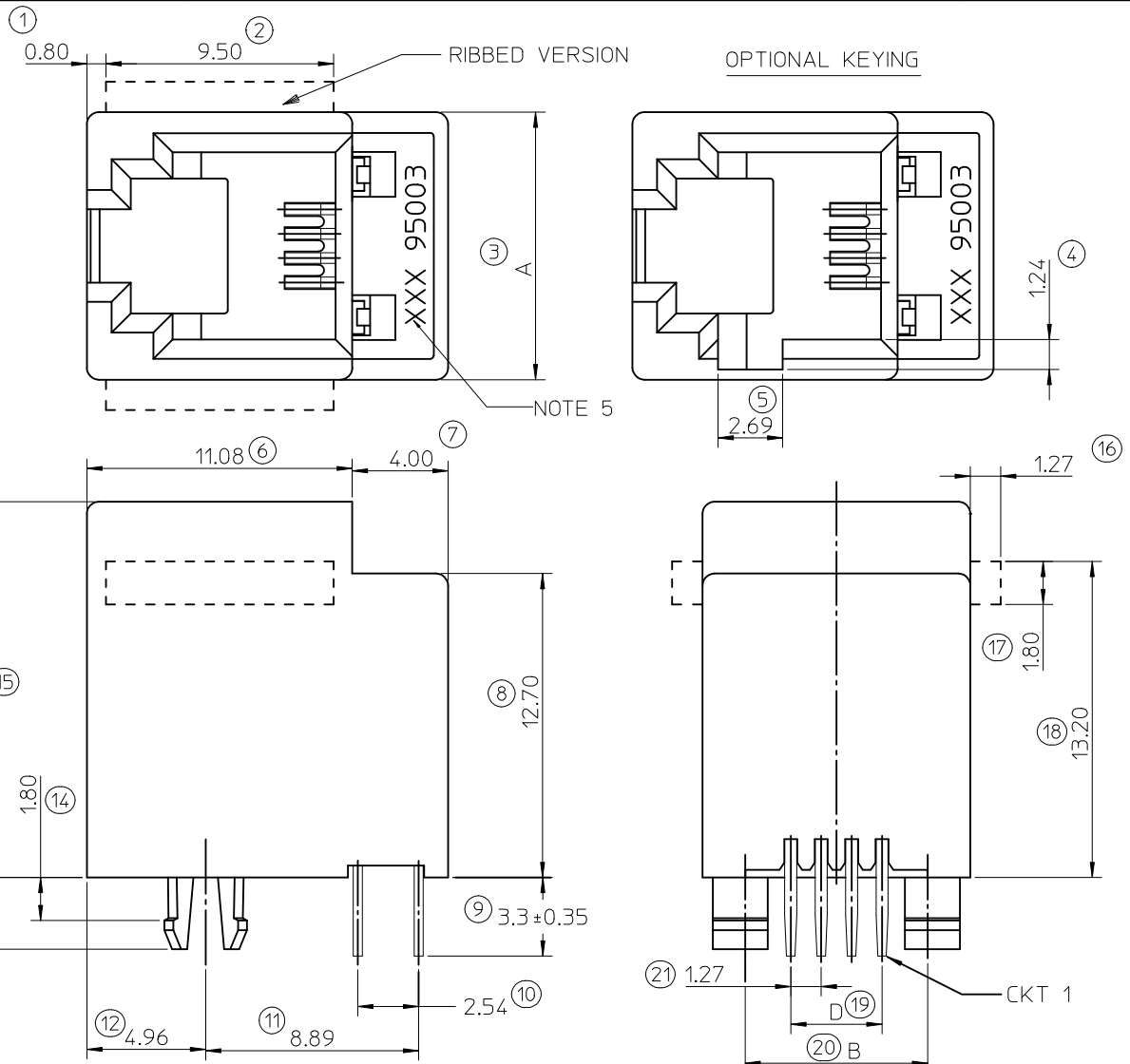
**NOTES :**

- 1- MATERIAL:  
 -HOUSING: LCP FIBER GLASS FILLED UL 94-V0  
 COLOR BLACK.  
 -TERMINAL: COPPER ALLOY  
 - BASE FINISH: NICKEL  
 - CONTACT SURFACE FINISH  
 GOLD  
 OR  
 GOLD FLASH OVER PALLADIUM NICKEL  
 EXCEEDS PRODUCT REQUIREMENTS BASED ON PS-95503-001
- 2- JACK FOR MATING WITH F.C.C. 68 PLUGS  
 90075 MOLEX SERIES.
3. P.C.B. THICKNESS: 1.57
- 4- PRODUCT SPECIFICATION PS-95503-001
- 5- PACKAGING SPECIFICATION:  
 - STANDARD PACKAGING PK-95003 SHEET 1.  
 - TUBE PACKAGING FOR SMT VERSION PK-95003 SHEET 2.  
 - TUBE PACKAGING FOR THROUGH HOLE VERSION  
 PK-95003 SHEET 3.  
 - TAPE AND REEL PACKAGING FOR THROUGH HOLE PK-95503-001.
- 6- MANUFACTURING I.D. CAN BE MXF, MG OR MXI.  
 INSPECTION NUMBERS USED: 1 - 50  
 LAST INSPECTION NUMBER: 22

TYPE \ DIM.	POS. 4	POS. 6		POS. 8
	4 CKTS.	4 CKTS.	6 CKTS.	8 CKTS.
A	11.18	13.21	13.21	15.24
B	7.62	10.16	10.16	11.43
D	3.81	3.81	6.35	8.89



SHORT VERSION



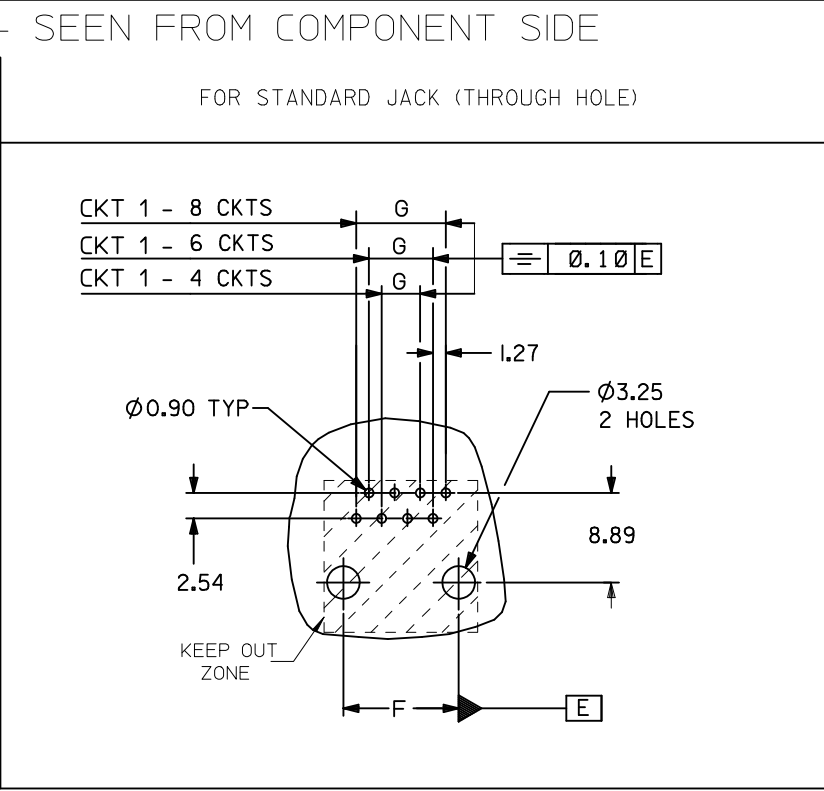
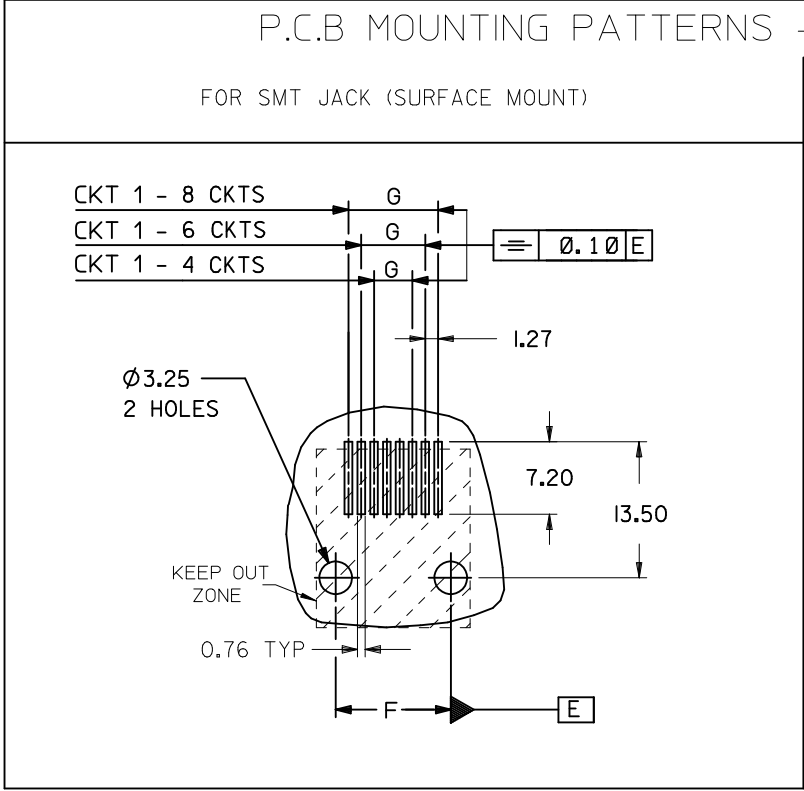
<b>MODIFIED PLATING OPTION</b> EC NO: IPG2012-0589 DRW:DBYRNES 2012/03/29 CHKD:MSHANAHAN 2012/03/30 APPR:EFOLAN 2012/06/28	QUALITY SYMBOLS ▽=0 ◻=0	GENERAL TOLERANCES (UNLESS SPECIFIED) <table border="1"> <thead> <tr> <th></th> <th>mm</th> <th>INCH</th> </tr> </thead> <tbody> <tr> <td>4 PLACES</td> <td>± ---</td> <td>± ---</td> </tr> <tr> <td>3 PLACES</td> <td>± ---</td> <td>± ---</td> </tr> <tr> <td>2 PLACES</td> <td>± 0.15</td> <td>± ---</td> </tr> <tr> <td>1 PLACE</td> <td>± 0.25</td> <td>± ---</td> </tr> </tbody> </table> ANGULAR ± .5 °		mm	INCH	4 PLACES	± ---	± ---	3 PLACES	± ---	± ---	2 PLACES	± 0.15	± ---	1 PLACE	± 0.25	± ---	DIMENSION STYLE <b>MM ONLY</b> DRAWN BY: TMARTIN DATE: 2005/06/15 CHECKED BY: FCARABETTA DATE: 2005/06/15 APPROVED BY: KNOLLER DATE: 2005/06/15	SCALE <b>5:1</b>	DESIGN UNITS <b>METRIC</b>	THIRD ANGLE PROJECTION
		mm	INCH																		
	4 PLACES	± ---	± ---																		
	3 PLACES	± ---	± ---																		
2 PLACES	± 0.15	± ---																			
1 PLACE	± 0.25	± ---																			
<b>LOW PROFILE TOP ENTRY JACK (THROUGH HOLE VERSION)</b>																					
<b>MOLEX INCORPORATED</b>																					
DRAFT WHERE APPLICABLE MUST REMAIN WITHIN DIMENSIONS				MATERIAL NO. <b>SEE SHT 4,5</b>	DOCUMENT NO. <b>SD-95503-003</b>	SHEET NO. <b>1 OF 5</b>															

TYPE DIM.	POS. 4	POS. 6		POS. 8
	4 CKTS.	4 CKTS.	6 CKTS.	8 CKTS.
F ±0.05	7.62	10.16	10.16	11.43
G ±0.05	3.81	3.81	6.35	8.89

P.C.B MOUNTING PATTERNS - SEEN FROM COMPONENT SIDE

FOR SMT JACK (SURFACE MOUNT)

FOR STANDARD JACK (THROUGH HOLE)



NOTES:

ALL DIMENSIONS REF DIMENSIONS

REMOVED INCHES EC NO: E2012-0079 DRWN: JCONNOR 2011/03/04 CHKD: APPR: EFOLAN 2011/09/28	QUALITY SYMBOLS	GENERAL TOLERANCES (UNLESS SPECIFIED)	DIMENSION STYLE	SCALE	DESIGN UNITS	THIRD ANGLE PROJECTION	
	▽=0 Ⓢ=0	mm INCH 4 PLACES ± --- ± --- 3 PLACES ± --- ± --- 2 PLACES ± 0.15 ± --- 1 PLACE ± 0.25 ± --- ANGULAR ± .5 °	MM ONLY	1:1	METRIC		
		DRAFT WHERE APPLICABLE MUST REMAIN WITHIN DIMENSIONS	DRAWN BY DATE	TITLE			
			TMARTIN 2005/06/15	LOW PROFILE T/E JACK			
			CHECKED BY DATE	MOLEX INCORPORATED			
			FCARABETTA 2005/06/15	DOCUMENT NO.			
			APPROVED BY DATE	SD-95503-003			
			KNOLLER 2005/06/15	SHEET NO.			
			MATERIAL NO.	3 OF 5			
			SEE SHT. 4, 5	THIS DRAWING CONTAINS INFORMATION THAT IS PROPRIETARY TO MOLEX INCORPORATED AND SHOULD NOT BE USED WITHOUT WRITTEN PERMISSION			

HOUSING SIZE	LOADED CONTACTS
4	4
6	4
6	6
8	8

— PART NO FOR JACK ASSEMBLY —  
THROUGH HOLE STANDARD VERSION

LCP FIBER GLASS FILLED 94V0 COLOR BLACK					
NO KEY	TOOLED	KEY	TOOLED		TOOLED
NO RIB	TOOLED	NO RIB	TOOLED		TOOLED
95503-2441	X				
95503-2641	X				
95503-2661	X				
95503-2881	X	95503-2882	X		

TRAY PACKAGING  
SEE PACKAGING SPEC PK-95003 SHEET 1

— PART NO FOR JACK ASSEMBLY —  
THROUGH HOLE SHORT VERSION

LCP FIBER GLASS FILLED 94V0 COLOR BLACK					
NO KEY	TOOLED	KEY	TOOLED		TOOLED
NO RIB	TOOLED	NO RIB	TOOLED		TOOLED
95503-2884	X				

TRAY PACKAGING  
SEE PACKAGING SPEC PK-95003 SHEET 1

— PART NO FOR JACK ASSEMBLY —  
THROUGH HOLE STANDARD VERSION

LCP FIBER GLASS FILLED 94V0 COLOR BLACK					
NO KEY	TOOLED	KEY	TOOLED		TOOLED
NO RIB	TOOLED	NO RIB	TOOLED		TOOLED
95503-2440	X				
95503-2640					
95503-2660					
95503-2880	X				

TAPE AND REEL PACKAGING  
SEE PACKAGING SPEC PK-95503 SHEET 1

TOOLED	<input checked="" type="checkbox"/>
NOT TOOLED	<input type="checkbox"/>

NOTES:  
  
PLATING: SEE SHEET ONE

ADDED PLATING OPTION EC NO: IPG2013-0151 DRW: DBYRNES 2012/07/31 CHK: SMCREEVY 2012/07/31 APPR: JWALLACE 2012/07/31	QUALITY SYMBOLS	GENERAL TOLERANCES (UNLESS SPECIFIED)	DIMENSION STYLE MM ONLY	SCALE ---	DESIGN UNITS METRIC	THIRD ANGLE PROJECTION	
	▽=0 ◻=0	mm    INCH 4 PLACES ± --- ± --- 3 PLACES ± --- ± --- 2 PLACES ± --- ± --- 1 PLACE ± --- ± --- ANGULAR ± ---°	DRAWN BY: TMARTIN    DATE: 2005/06/16 CHECKED BY: FCARABETTA    DATE: 2005/06/16 APPROVED BY: KNOLLER    DATE: 2005/06/16	TITLE	LOW PROFILE T/E JACK THROUGH HOLE VERS.		
		DRAFT WHERE APPLICABLE MUST REMAIN WITHIN DIMENSIONS	SEE CHART	MATERIAL NO.	DOCUMENT NO.	SHEET NO.	
				SD-95503-003	MOLEX INCORPORATED		4 OF 5