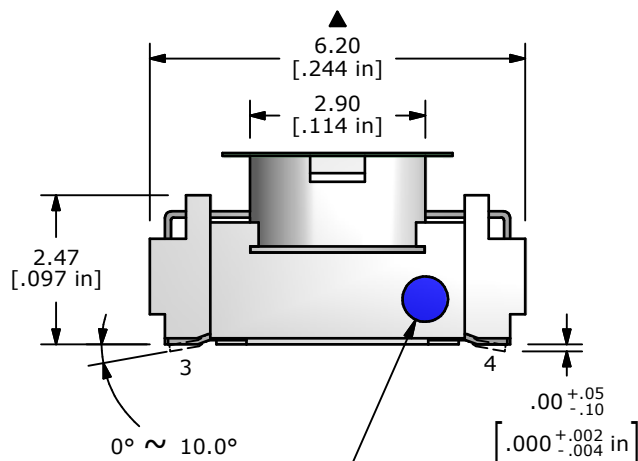
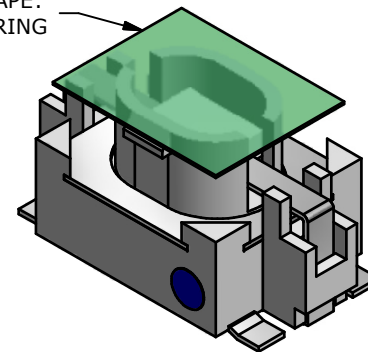
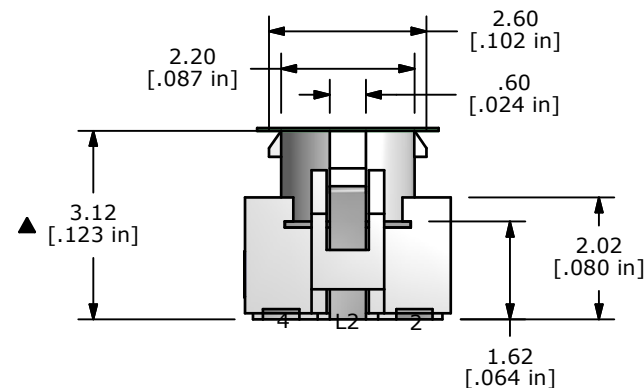


AUTOMATED PICKUP TAPE:  
REMOVE AFTER SOLDERING



BLUE INK MARK TO  
DENOTE CATHODE  
SIDE OF LED



NOTES:

1. ALL DIMENSIONS IN MM [INCH]
2. GENERAL TOLERANCE: X.X±0.4  
X.XX±0.25
3. RATING: 12VDC, 50mA MAX.
4. CONTACT RESISTANCE: 500mΩ MAX.
5. INSULATION RESISTANCE: 100MΩ MIN. @ 100VDC
6. TRAVEL: 0.2 ± 0.1 mm
7. DIELECTRIC STRENGTH: 250V AC FOR 1 MIN.
- ▲ 8. OPERATING FORCE: 160 ± 50gf
9. OPERATING TEMPERATURE: -20°C TO 70°C
10. OPERATING LIFE: 100,000 CYCLES.
11. PACKAGING: TAPE & REEL, 2000 PIECES PER REEL
12. ▲ DENOTES CRITICAL PARAMETER
13. 2002/95/EC (ROHS) COMPLIANT

LED SPECS	UNITS	BLUE
FORWARD CURRENT	mA	20
FORWARD VOLTAGE	V	2.8 min. - 4.0 max.
LUMINOUS INTENSITY	mcd	80 typ.

REV	PCR NO	DESCRIPTION	DATE	BY
D	21166	ADD TAPE	7/1/13	EBP
C	21007	2000 PER REEL WAS 2500 PER REEL	2/6/13	EBP
B	20321	UPDATE TERMINAL CALL OUTS	12/05/11	BMA
A	20221	RELEASE FOR PRODUCTION	11/17/11	BMA



TITLE TL3210AF160BQ

SCALE	8:1	DATE	10/28/2011	DR	BMA	DWG	B200301	REV	D
-------	-----	------	------------	----	-----	-----	---------	-----	---

THE INFORMATION CONTAINED IN THIS DOCUMENT IS PROPRIETARY  
TO E-SWITCH AND IS NOT TO BE COPIED OR TRANSFERRED