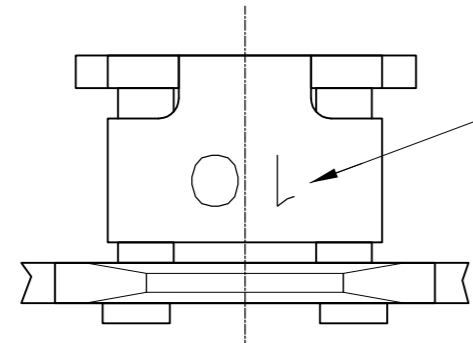


THIS DRAWING IS UNPUBLISHED. RELEASED FOR PUBLICATION
 © COPYRIGHT - By - ALL RIGHTS RESERVED.

| LOC | | DIST | | REVISIONS | | | |
|-----|-----|---------------|--|-----------|-----|------|--|
| P | LTR | DESCRIPTION | | DATE | DWN | APVD | |
| | D1 | ECR-13-016672 | | 25OCT13 | PKS | RRP | |

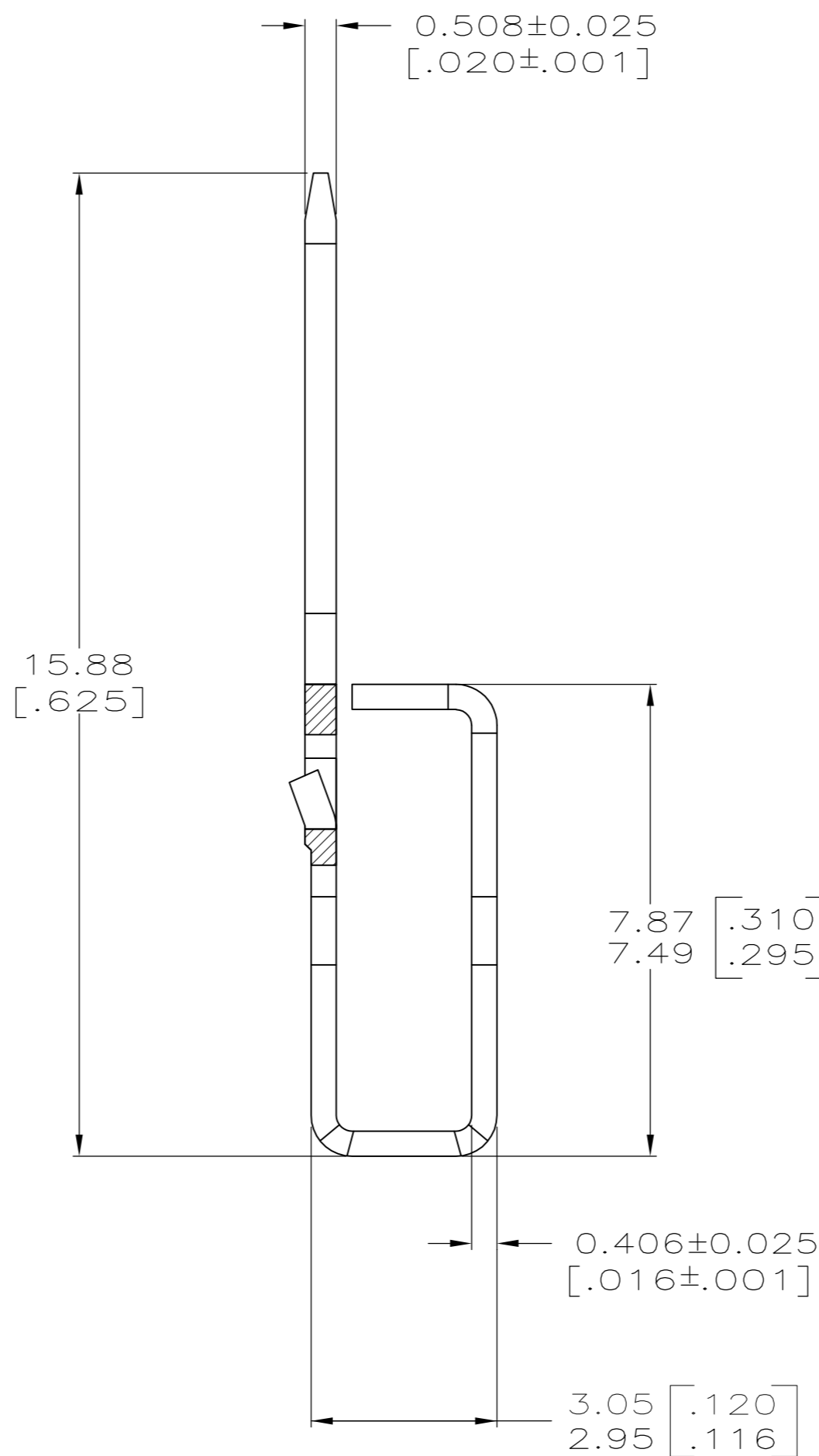
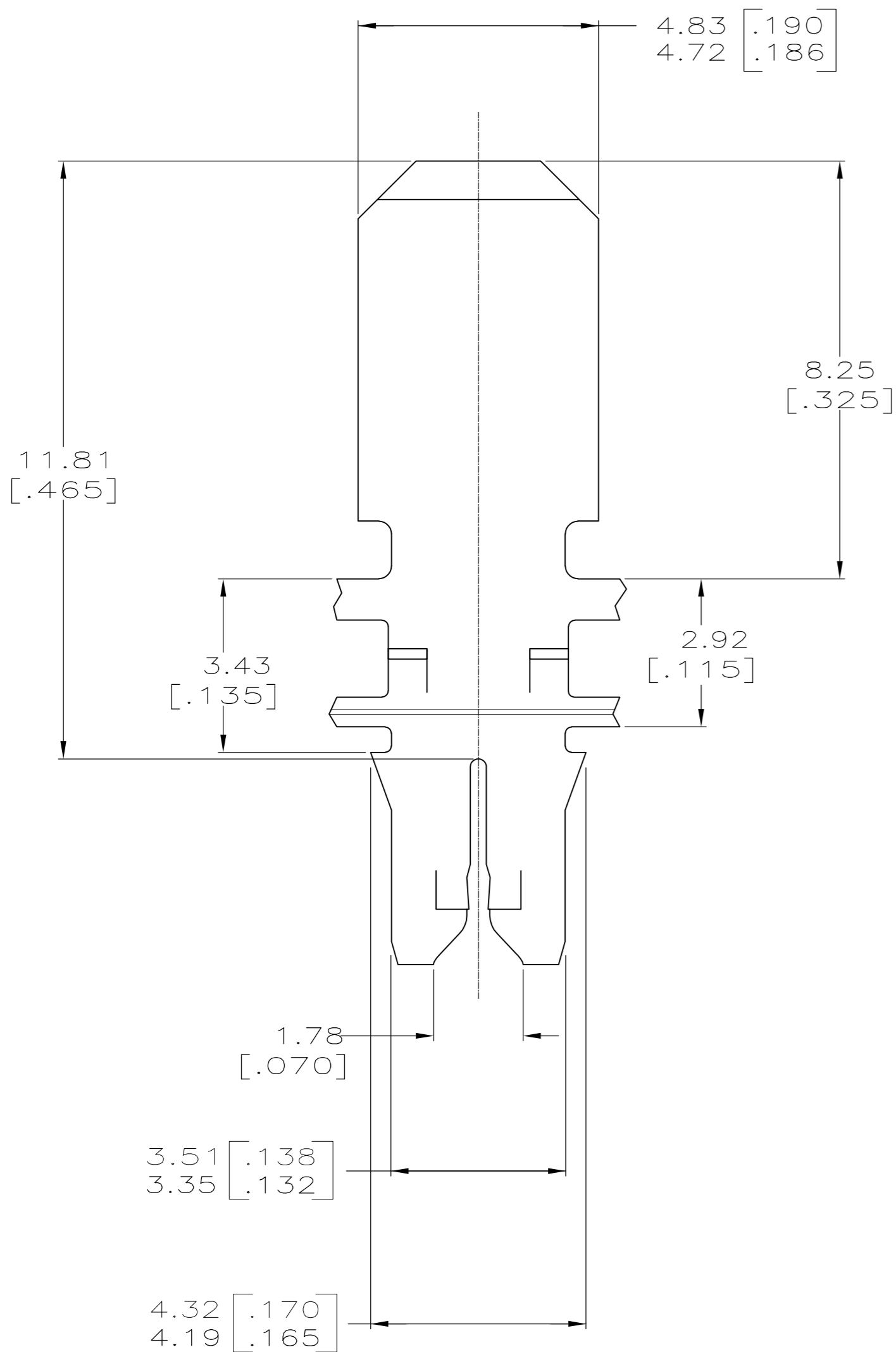


IDENTIFICATION NUMBER 10 FOR MAGNET WIRE RANGE

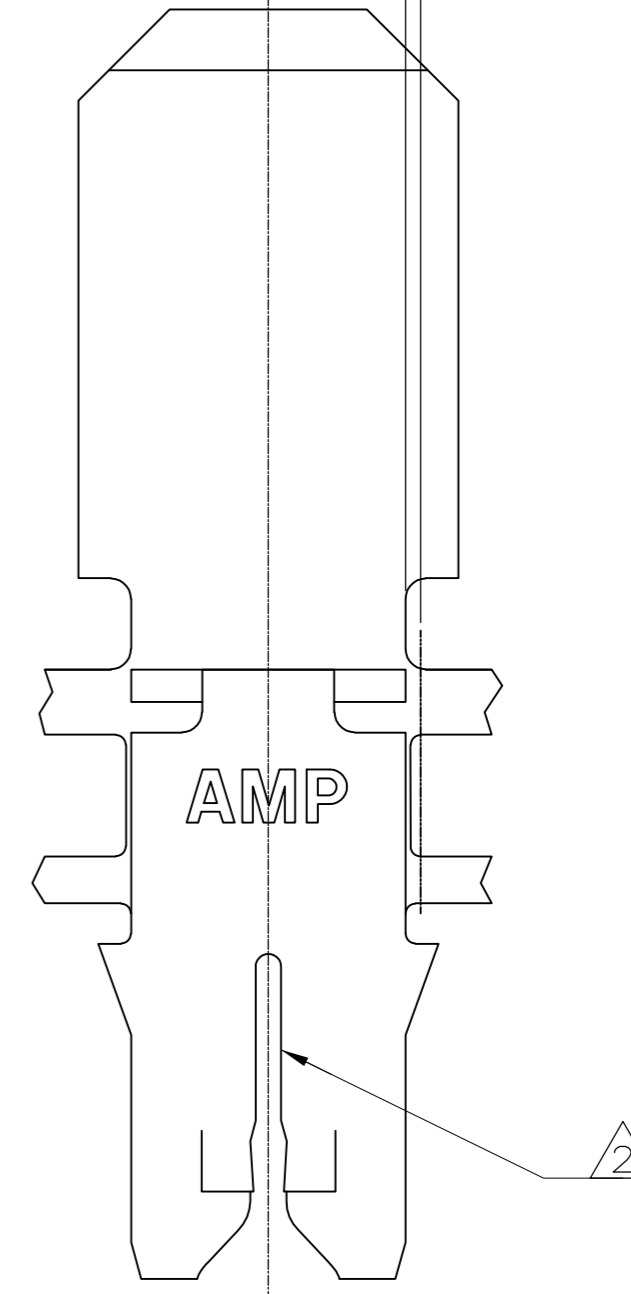
1 CONTINUOUS STRIP ON REELS WITH TERMINALS LOCATED ON 5.59±0.08 [.220±.003] CENTERS.
 2 SLOT TERMINATES EITHER A SINGLE OR DOUBLE MAGNET WIRE OF THE SAME SIZE AND TYPE. COPPER RANGE: 0.36-0.57mm [#27-#23] AWG.

4 CONTACT LUBE OVER MIN NICKEL PLATE.

5 REVERSE REELED.



0.25 MAX APPLICATOR [.010] CUT-OFF TABS 2 PLACES



5 1217495-1
PART NUMBER

| | | | | |
|--|--|---------------------------------------|-----------------|--|
| THIS DRAWING IS A CONTROLLED DOCUMENT. | | DWN MICHAEL S. FEHER 20SEP2000 | TE Connectivity | |
| DIMENSIONS: INCHES | | CHK KURT A. RANDOLPH 21SEP2000 | NAME | |
| TOLERANCES UNLESS OTHERWISE SPECIFIED: | | APVD KURT A. RANDOLPH 21SEP2000 | PRODUCT SPEC | |
| 0 PLC ± - | | 108-2012 | | |
| 1 PLC ± - | | APPLICATION SPEC | | |
| 2 PLC ± 0.25[.010] | | 114-2046 | | |
| 3 PLC ± - | | SIZE CAGE CODE DRAWING NO | | |
| 4 PLC ± - | | A2 00779 C-1217495 | | |
| ANGLES ± - | | RESTRICTED TO | | |
| FINISH | | WEIGHT | | |
| - 4 | | - | | |
| MATERIAL BRASS | | CUSTOMER DRAWING | | |
| SCALE 10:1 | | SHEET 1 of 1 | | |
| REV D1 | | | | |