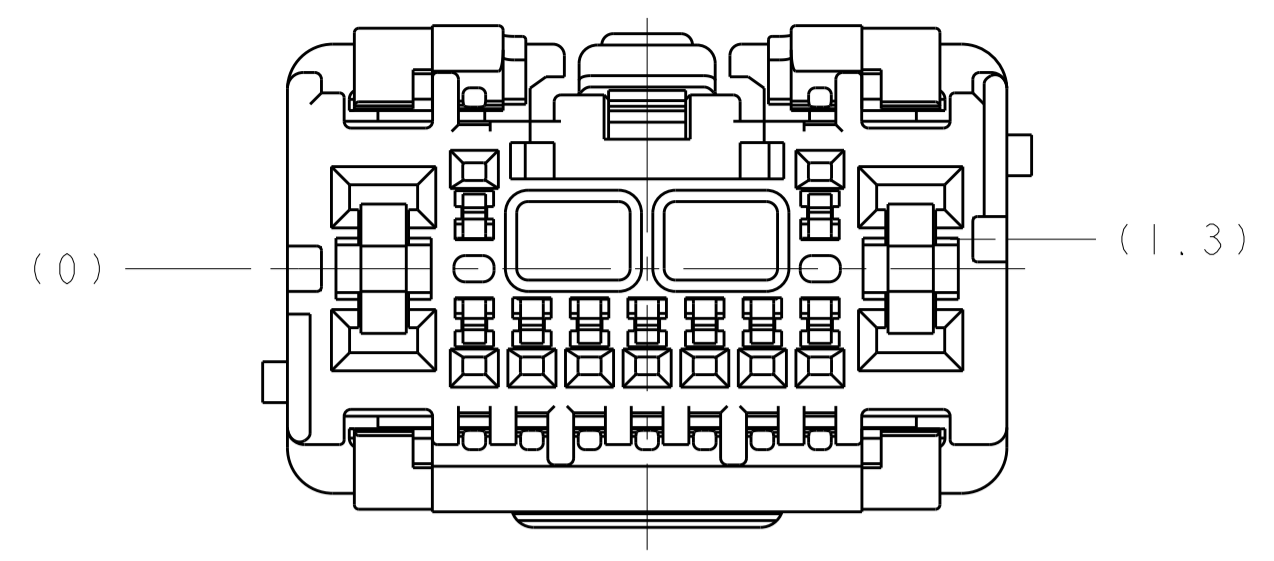
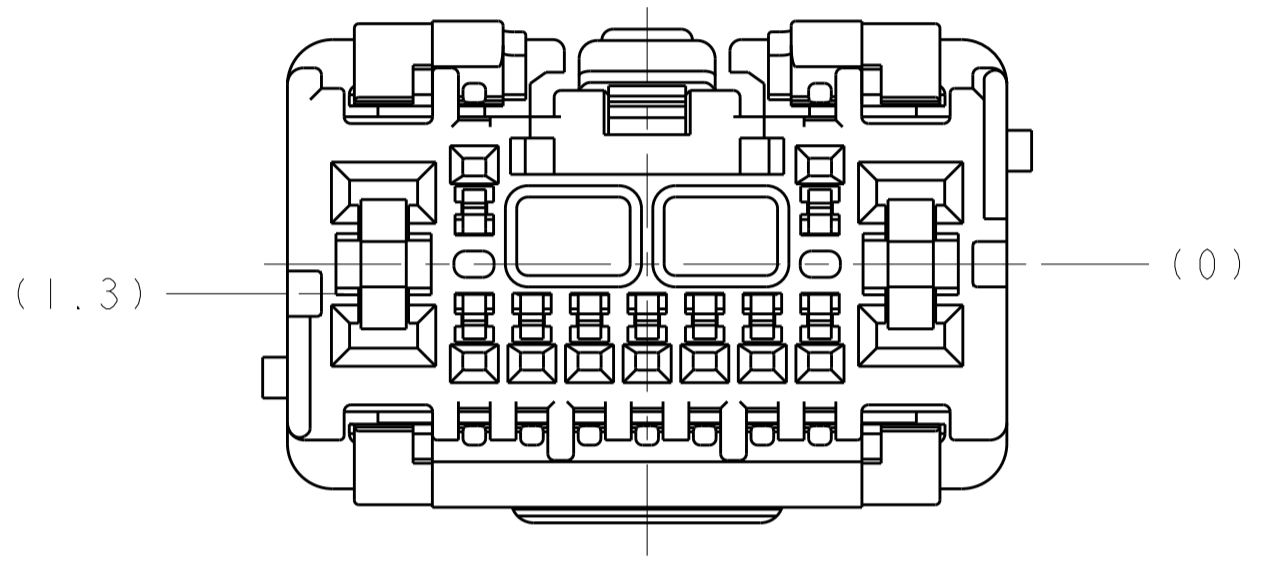


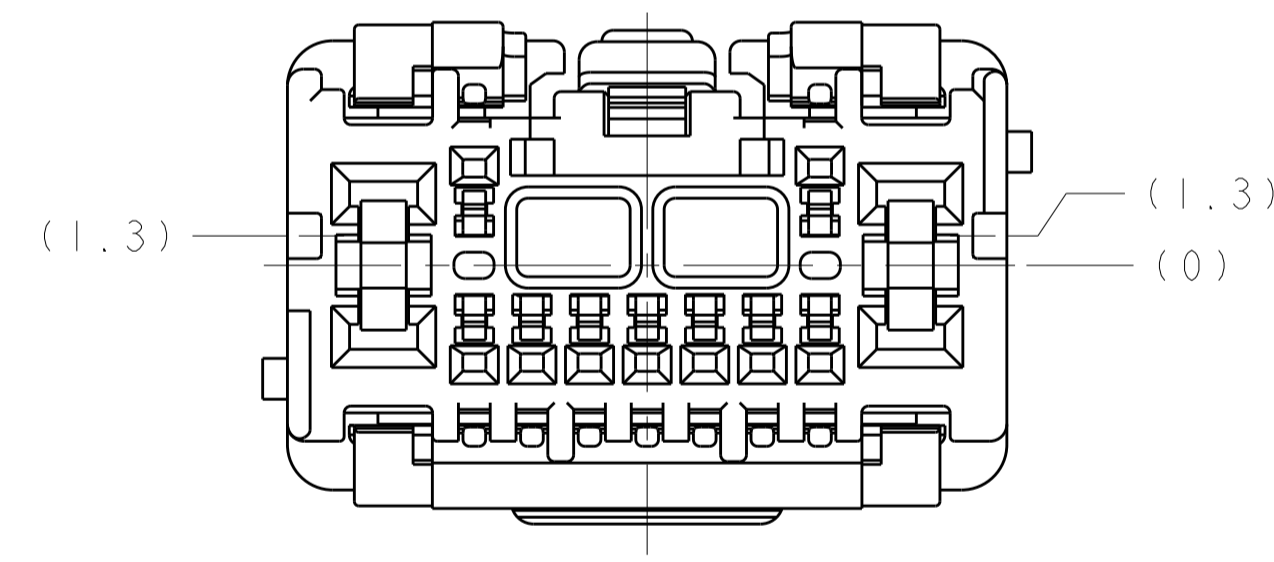
LOC		DIST		REVISIONS			
P	LTN	DESCRIPTION	DATE	DWN	APVD		
C		REVISED PER ECO-09-008312	02APR2009	AV	AV		
D		REVISED PER ECO-13-005462	02APR2013	DD	CS		



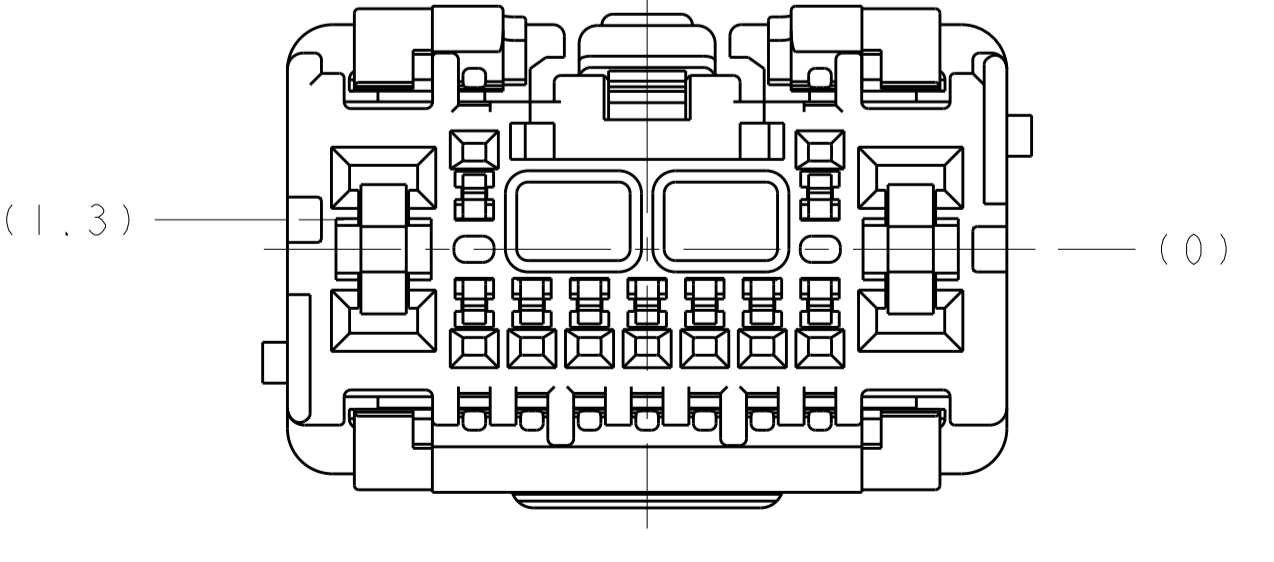
1924667-1  
KEYING OPTION "A"



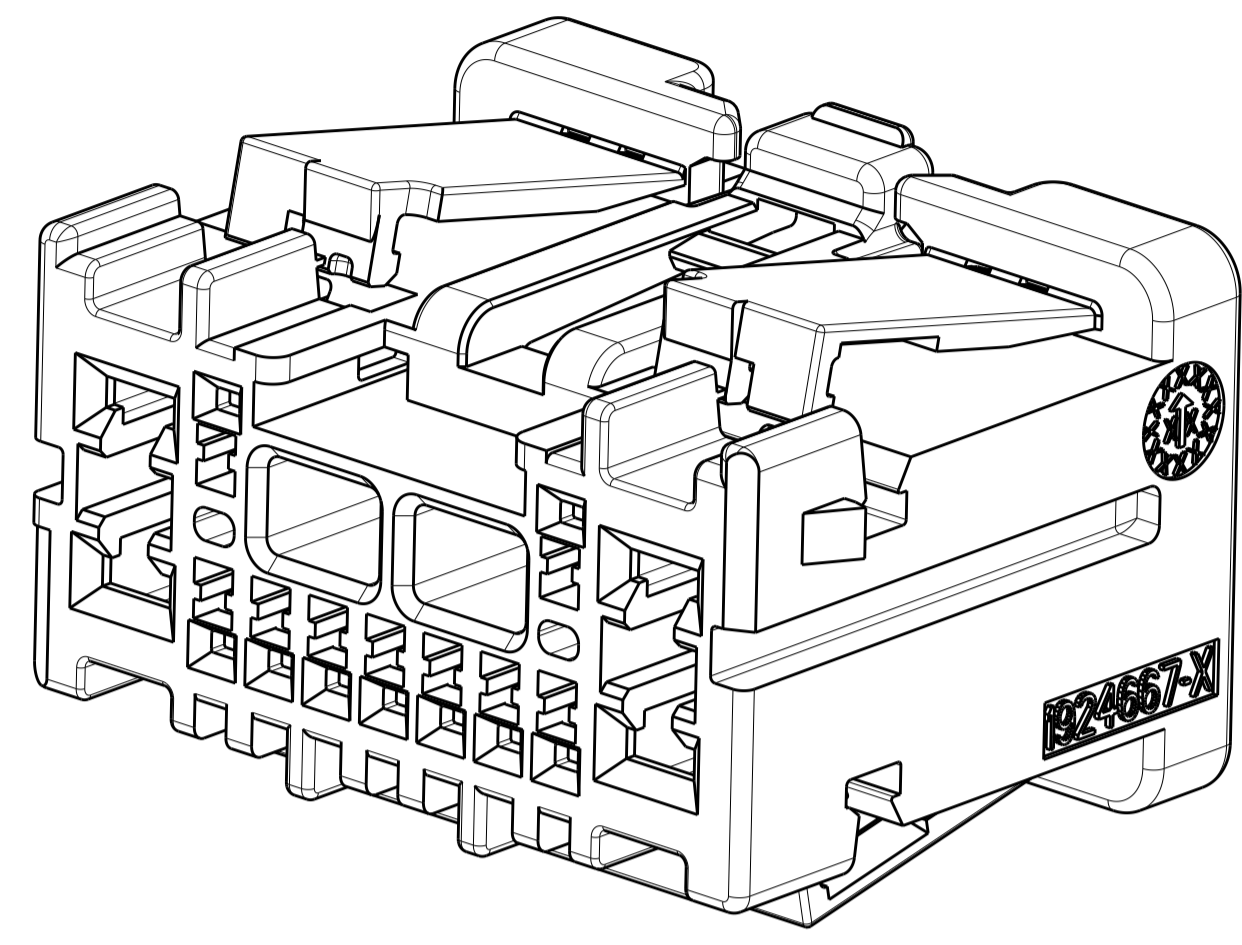
1924667-2  
KEYING OPTION "B" ⚠



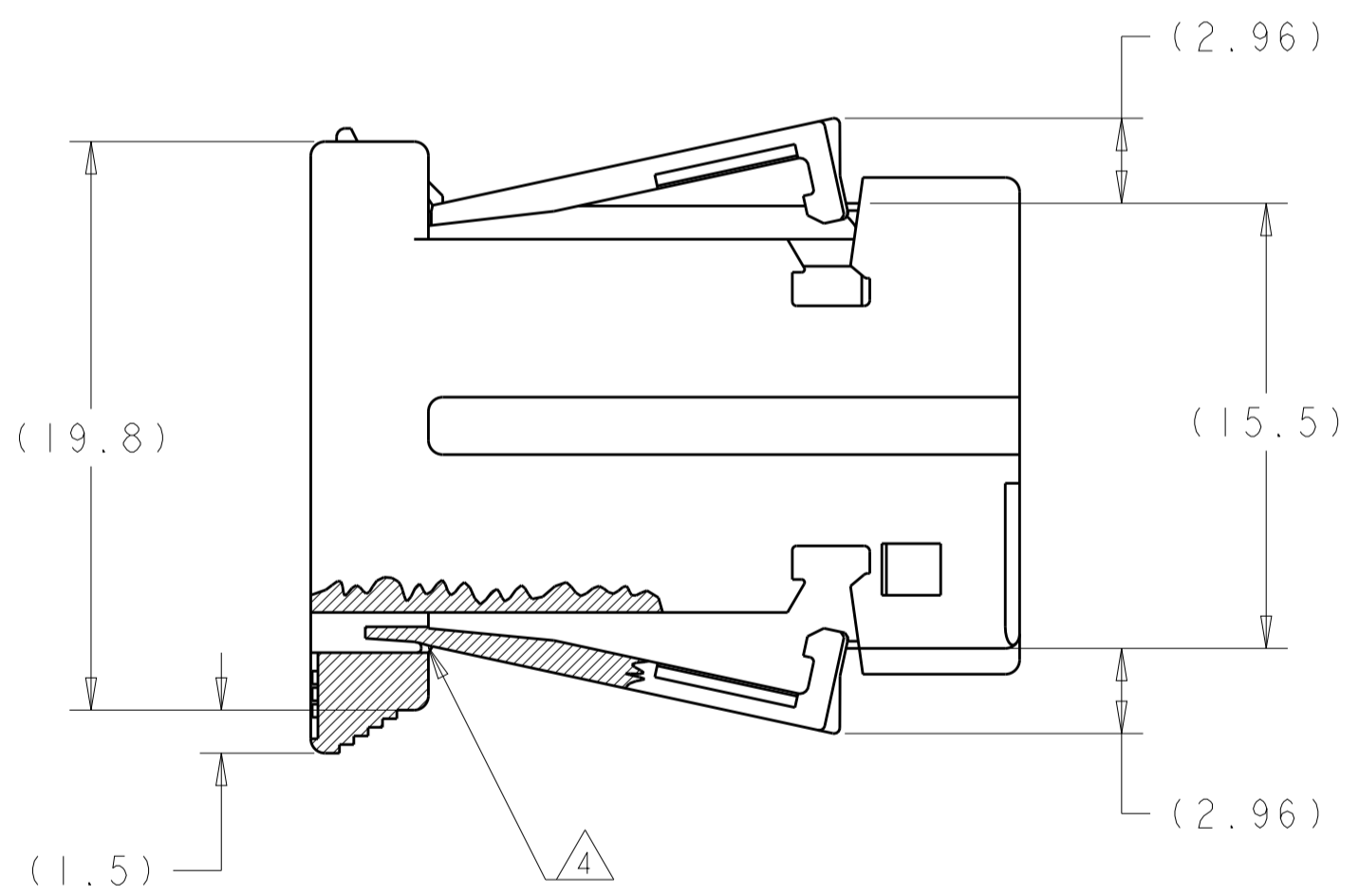
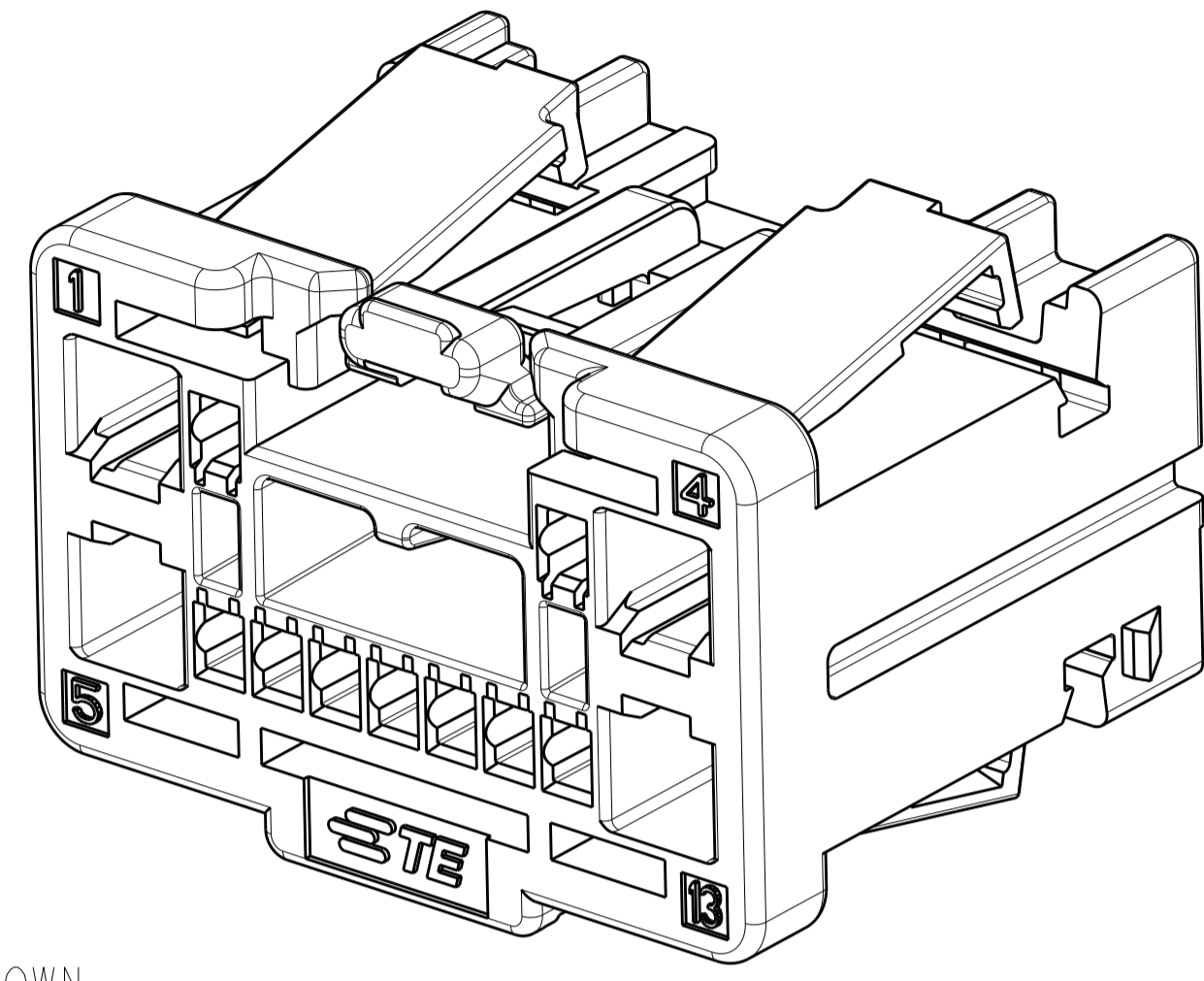
1924667-3  
KEYING OPTION "C" ⚠



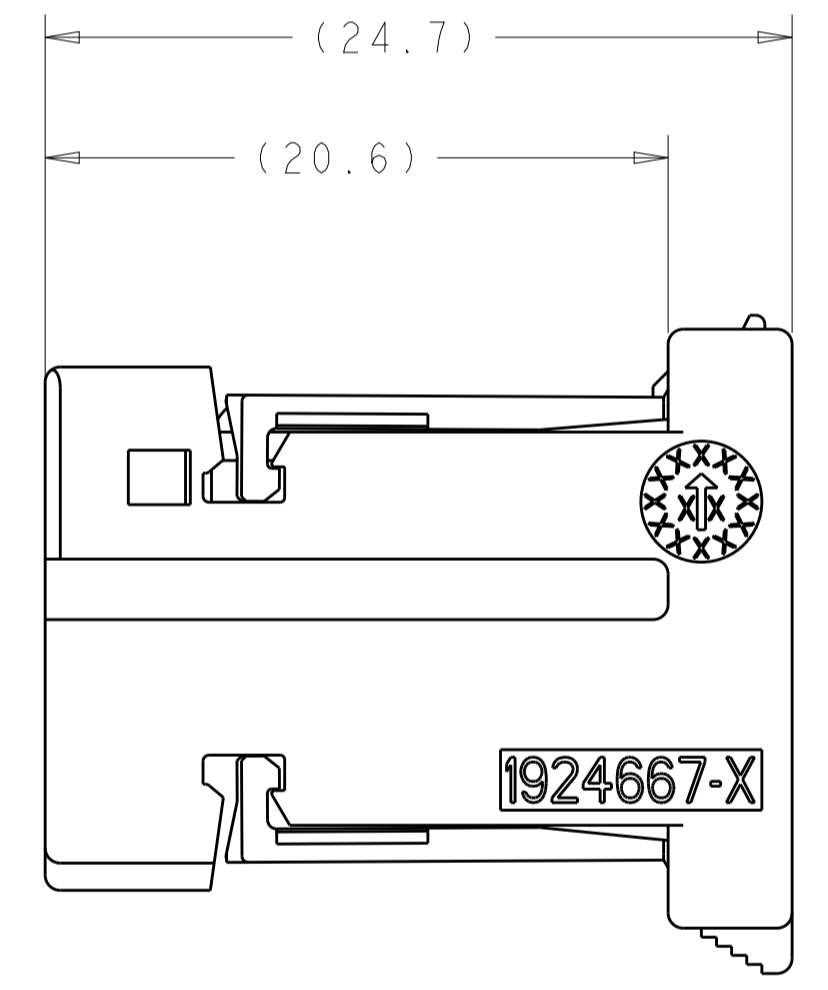
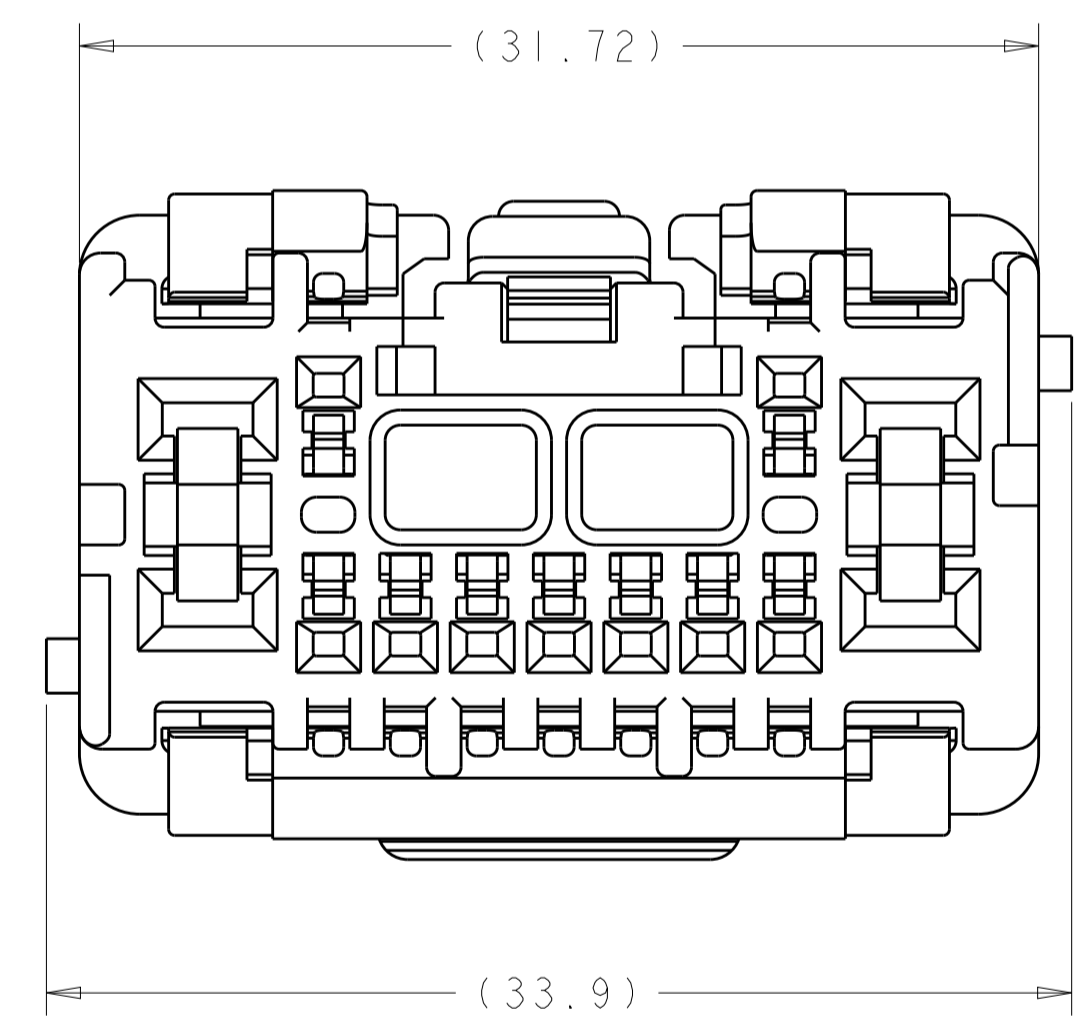
1924667-4  
KEYING OPTION "D" ⚠



SECONDARY LOCKS SHOWN  
IN OPEN POSITION  
(SHIPPING POSITION)



SECTION E-E



SIDE VIEW WITH  
SECONDARY LOCK CLOSED

NOTES:

- MATERIAL:  
PLUG HOUSING: PBT 15% GLASS FILLED  
COLOR: BLACK
- OPTIONAL CPA AVAILABLE.
- MATING RECEPTACLES:  
1326030 TIN PLATING, 2.8 CONTACT  
1924955 TIN PLATING, 0.64 CONTACT

⚠ WHEN SECONDARY LOCK IS TRANSITIONED FROM THE OPEN TO THE CLOSED POSITION THE PLASTIC ATTACHING THE SECONDARY LOCK IS ALLOWED/ASSUMED TO BREAK AWAY IN THE AREA SHOWN (TYPICAL).

⚠ PROPOSED DESIGN - NOT TOOLED.

D	1924667-4	⚠
C	1924667-3	⚠
B	1924667-2	⚠
A	1924667-1	
KEYING OPTION	TE PART NUMBER	

DIMENSIONS:		TOLERANCES UNLESS OTHERWISE SPECIFIED:		MATERIAL:		FINISH:		WEIGHT:		SCALE:		SHEET:		REV:	
mm	0 PLC	±0.0								4:1	1	1			
	1 PLC	±0.3													
	2 PLC	±0.10													
	3 PLC	±0.0													
	4 PLC	±0.0													
	ANGLES	±0.0													