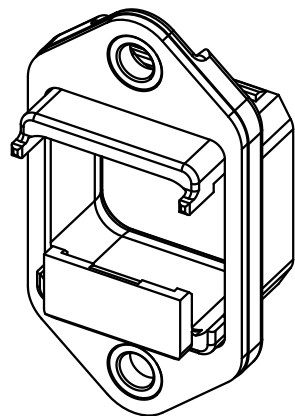
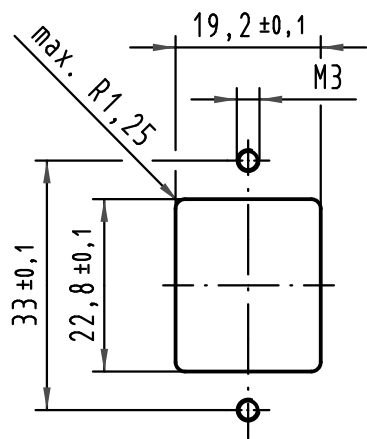
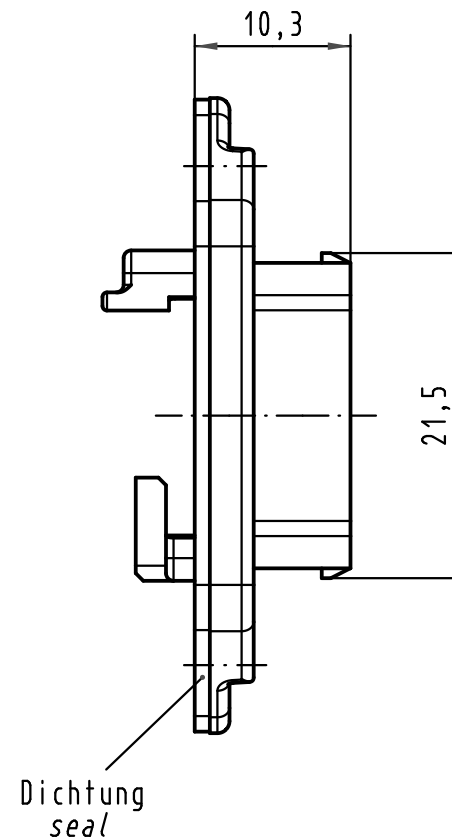
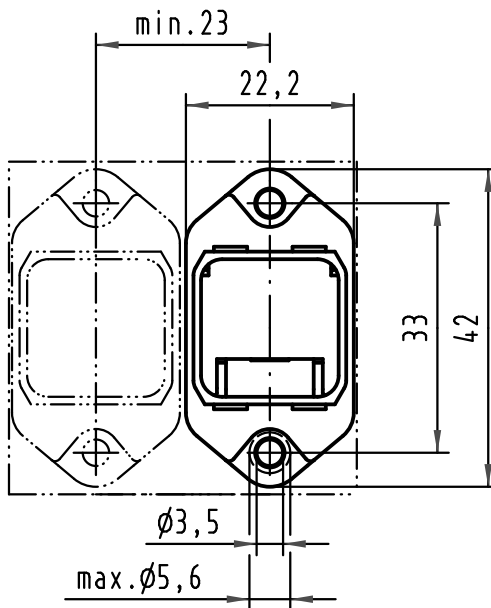


Montageausschnitt /
panel cut out
1:1



1:1



| | | | | | | |
|---|----------|-------------------|-----------------------------------|------|---|---|
| All Dimensions in mm Original Size DIN A 4 | | Techn. Character. | | | Nicht tolerierte Maßel Free size tolerances | |
| | | | Dat. | Name | Maßstab/Scale 2:1 1:1 | Han PushPull RJ45 Anbaugehäuse Metall <i>housing bulkhead mounting metal</i> |
| | | Detail. | 15.01.08 | Bor | | |
| | | Insp. | | drie | | |
| 35946 | 09.12.09 | hsv | Stand. | | | |
| 413856 | 07.05.08 | Rull | HARTING Electronics GmbH & Co. KG | | | TB 09 35 002 0301 |
| 413567 | | | D-32339 ESPELKAMP | | | |
| Mod. | Dat. | Name | | | Sub. | Blatt/ page |