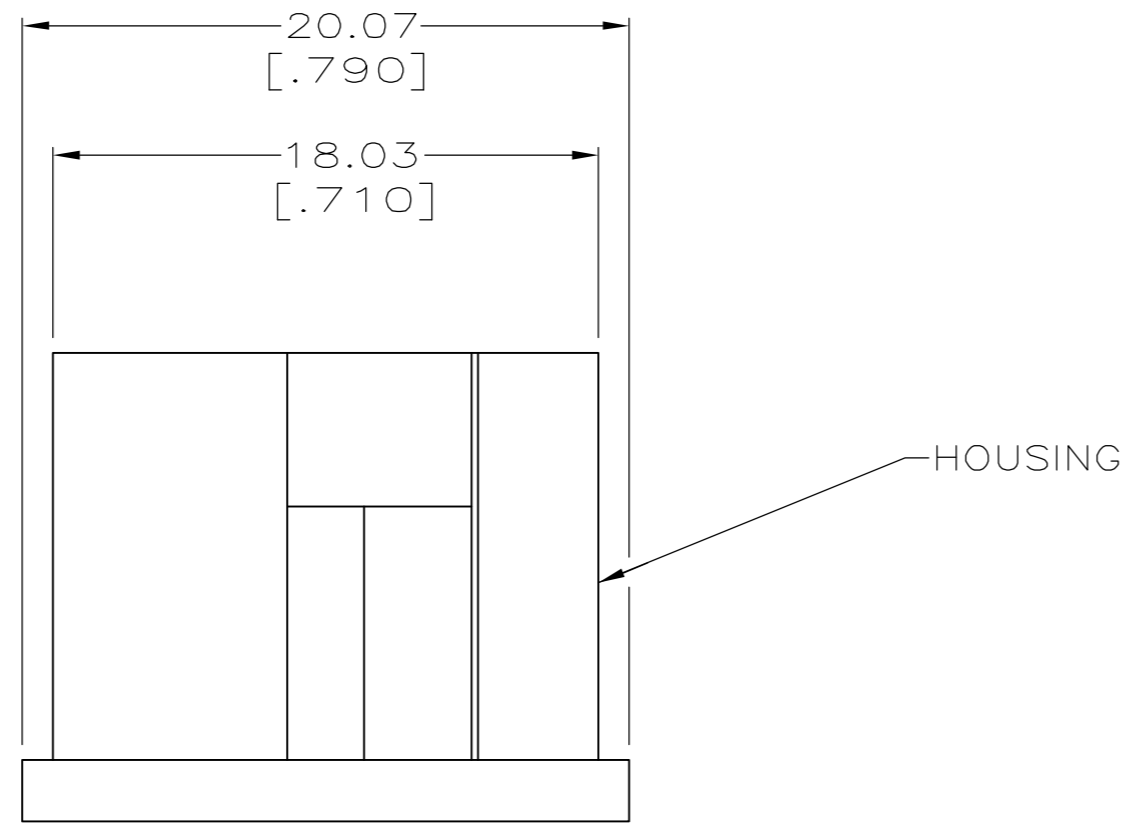
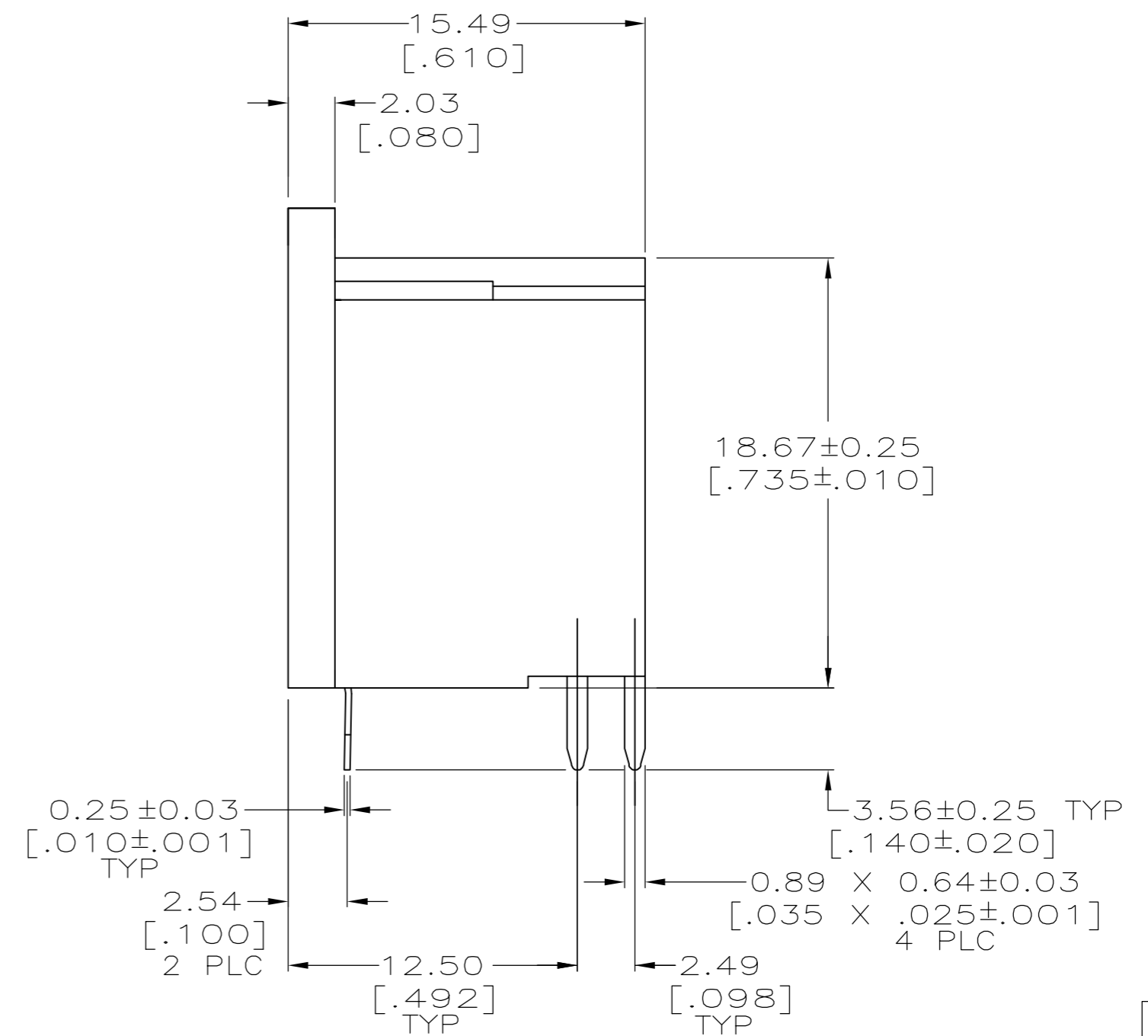
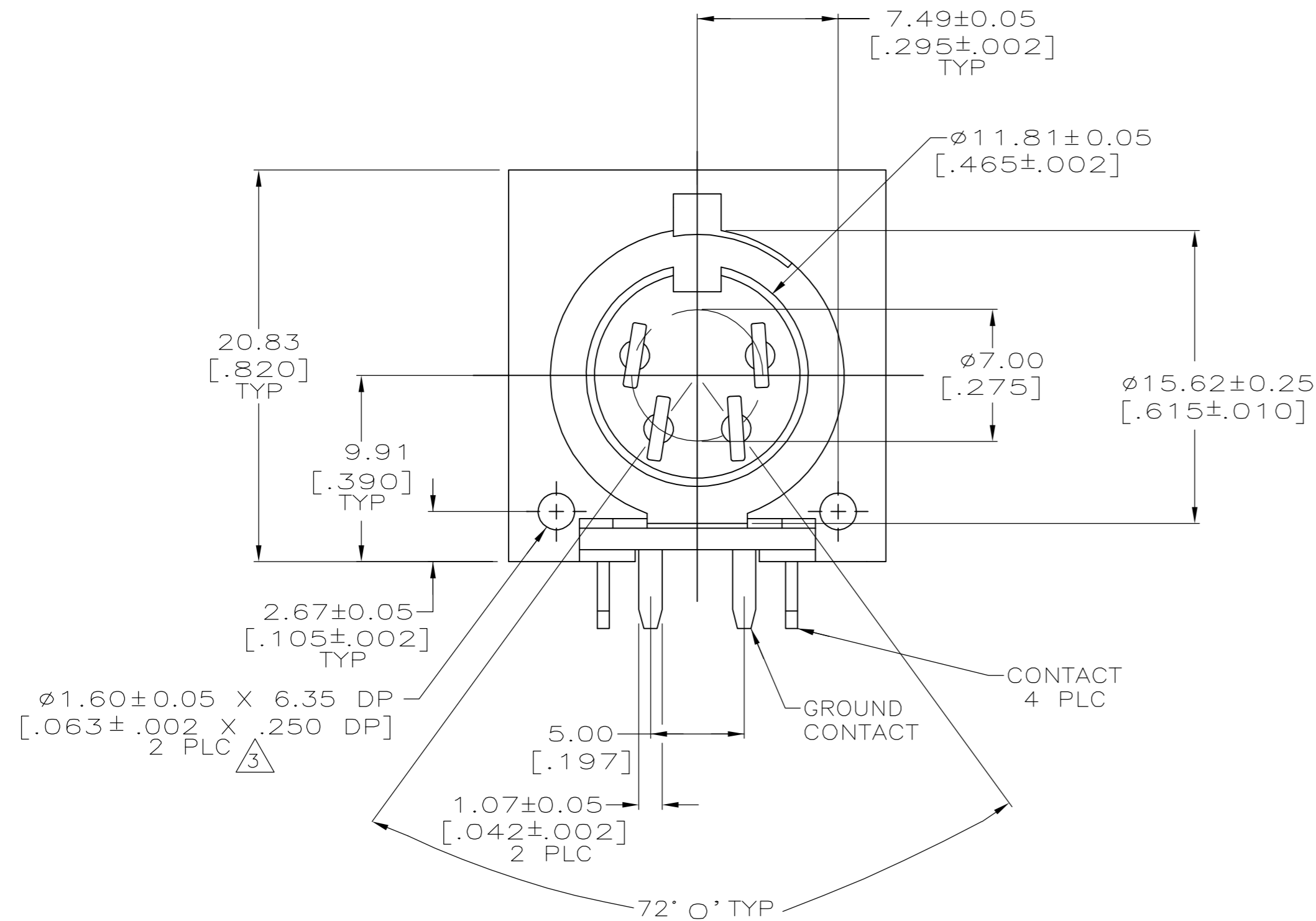


THIS DRAWING IS UNPUBLISHED. RELEASED FOR PUBLICATION
 © COPYRIGHT BY TYCO ELECTRONICS CORPORATION. ALL RIGHTS RESERVED.

LOC		DIST		REVISIONS			
P	LTR	DESCRIPTION		DATE	DWN	APVD	
GP	00	01		REVISED PER ECO-07-008008	10APR07	JDP/CWR	



- 1 HOUSING: NYLON, UL 94V-0 RATED, BLACK.
- 2 CONTACTS & GROUND CONTACT: 2.54 μm [.000100] MIN TIN OVER 1.27 μm [.000050] MIN NICKEL.
- 3 ACCEPTS #2 SELF-TAPPING SCREW, .250 LONG REF.
- 4 CONTACTS & GROUND CONTACT: BRASS.



5211508

5211508-1

PART NUMBER

THIS DRAWING IS A CONTROLLED DOCUMENT.		DWN L. VARELA - DOCK5 11-11-04	tyco Tyco Electronics Corporation Harrisburg, PA 17105-3608	
DIMENSIONS: mm [INCHES]		CHK C. ROHDE 11-11-04	NAME RECEPTACLE ASSY, RIGHT ANGLE, 4 POSITION, CIRCULAR DIN	
TOLERANCES UNLESS OTHERWISE SPECIFIED:		APVD M. WALMSLEY 11-11-04	SIZE A2 CAGE CODE 00779 DRAWING NO C=5211508 RESTRICTED TO	
0 PLC ± -		PRODUCT SPEC 108-10047	SCALE 4:1 SHEET 1 of 1 REV 01	
1 PLC ± -		APPLICATION SPEC 114-40025		
2 PLC ± 0.13[.005]		WEIGHT -		
3 PLC ± -		CUSTOMER DRAWING		
4 PLC ± -				
ANGLES ± 0° 30'				
FINISH				