

High-Speed Dual-MOSFET Driver

Features

- 6 ns Rise and Fall Time with 1000 pF Load
- 2A Peak Output Source and Sink Currents
- 1.8V to 5V Input CMOS Compatible
- 4.5V to 13V Total Supply Voltage
- Smart Logic Threshold
- Low-jitter Design
- Two Matched Channels
- Outputs can Swing Below Ground
- Low-inductance Package
- Thermally Enhanced Package

Applications

- Medical Ultrasound Imaging
- Piezoelectric Transducer Drivers
- Non-destructive Testing
- PIN Diode Driver
- CCD Clock Driver/Buffer
- High-speed Level Translator

General Description

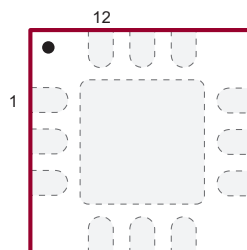
The MD1213 is a high-speed dual-MOSFET driver. It is designed to drive high-voltage P-channel and N-channel MOSFETs for medical ultrasound and other applications requiring a high output current for a capacitive load. The high-speed input stage of the MD1213 can operate from 1.8V to 5V logic interface with an optimum operating input signal range of 1.8V to 3.3V. An adaptive threshold circuit is used to set the level translator switch threshold to the average of the input logic 0 and logic 1 levels. The input logic levels may be ground referenced even though the driver is putting out bipolar signals. The level translator uses a proprietary circuit, which provides DC coupling together with high-speed operation.

The output stage of the MD1213 has separate power connections enabling the output signal L and H levels to be chosen independently from the supply voltages used for the majority of the circuit. As an example, the input logic levels may be 0V and 1.8V, the control logic may be powered by +5V to -5V, and the output L and H levels may be varied anywhere over the range of -5V to +5V. The output stage is capable of peak currents of up to $\pm 2A$, depending on the supply voltages used and load capacitance present.

The OE pin serves a dual purpose. First, its logic H level is used to compute the threshold voltage level for the channel input level translators. Second, when OE is low, the outputs are disabled with the A output high and the B output low. This assists in properly pre-charging the AC coupling capacitors that may be used in series in the gate drive circuit of an external PMOS and NMOS transistor pair.

Package Type

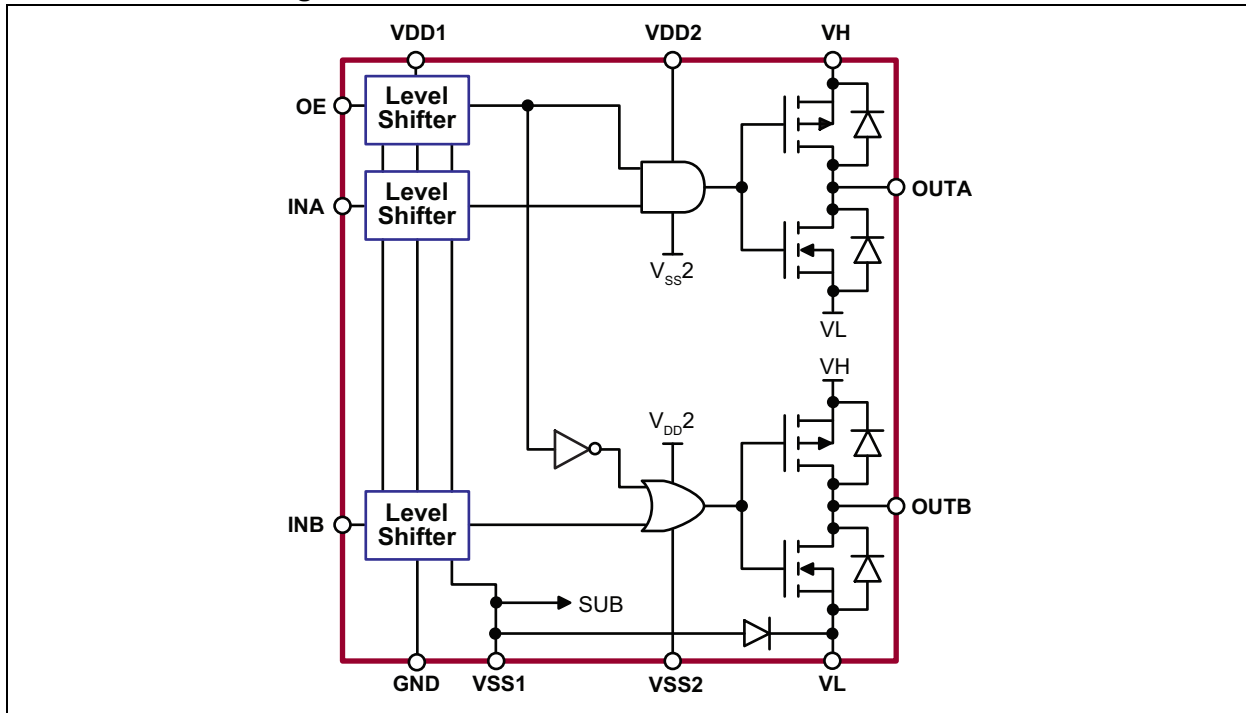
12-lead QFN
(Top view)



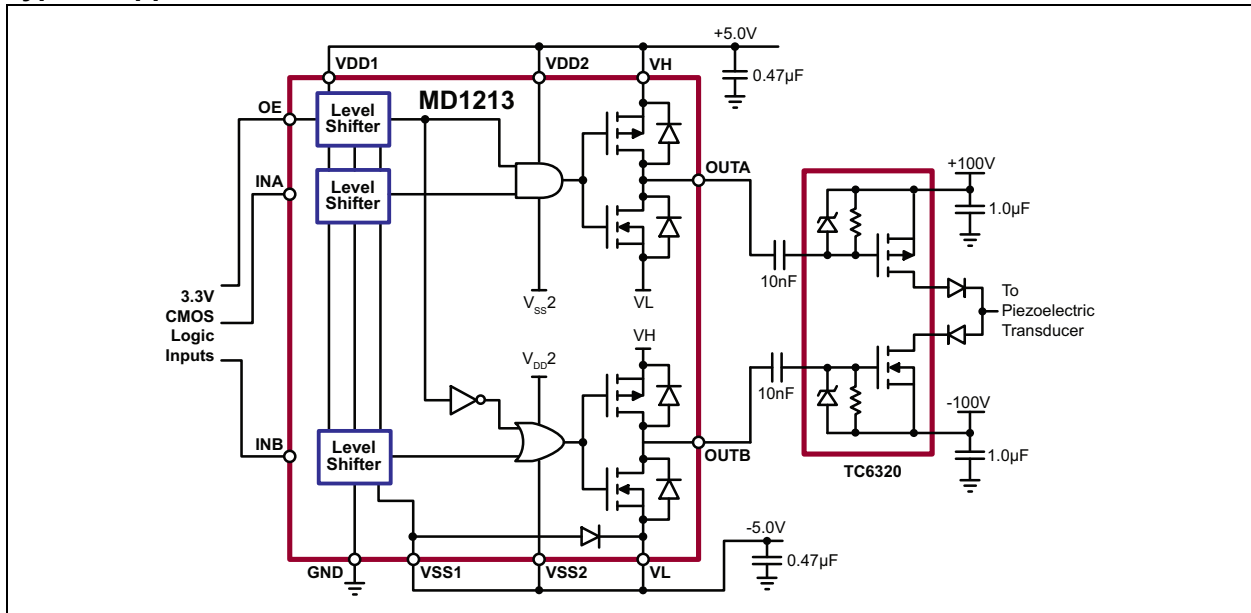
See [Table 2-1](#) for pin information.

MD1213

Functional Block Diagram



Typical Application Circuit



MD1213

1.0 ELECTRICAL CHARACTERISTICS

Absolute Maximum Ratings†

Level Translator Supply Voltage, $V_{DD}-V_{SS}$	-0.5V to +13.5V
Output High Supply Voltage, V_H	$V_L-0.5V$ to $V_{DD} + 0.5V$
Output Low Supply Voltage, V_L	$V_{SS}-0.5V$ to $V_H+ 0.5V$
Low-side Supply Voltage, V_{SS}	-7V to + 0.5V
Logic Input Pins	$V_{SS}-0.5V$ to GND +7V
Maximum Junction Temperature, T_J	+125°C
Operating Ambient Temperature, T_A	-20°C to +85°C
Storage Temperature, T_S	-65°C to +150°C
ESD Rating (Note 1)	ESD Sensitive

† **Notice:** Stresses above those listed under “Absolute Maximum Ratings” may cause permanent damage to the device. This is a stress rating only, and functional operation of the device at those or any other conditions above those indicated in the operational sections of this specification is not intended. Exposure to maximum rating conditions for extended periods may affect device reliability.

Note 1: Device is ESD sensitive. Handling precautions are recommended.

DC ELECTRICAL CHARACTERISTICS

Electrical Specifications: Over operating conditions unless otherwise specified, $V_H = V_{DD1} = V_{DD2} = 12V$, $V_L = V_{SS1} = V_{SS2} = 0V$, $V_{OE} = 3.3V$, $T_A = 25^\circ C$.

Parameter	Sym.	Min.	Typ.	Max.	Unit	Conditions
Level Translator Supply Voltage	$V_{DD}-V_{SS}$	4.5	—	13	V	$2.5V \leq V_{DD} \leq 13V$
Level Translator Negative Supply Voltage	V_{SS}	-5.5	—	0	V	
Output High Supply Voltage	V_H	$V_{SS} + 2$	—	V_{DD}	V	
Output Low Supply Voltage	V_L	V_{SS}	—	$V_{DD} - 2$	V	
V_{DD1} Quiescent Current	I_{DD1Q}	—	0.55	—	mA	No input transitions
V_{DD2} Quiescent Current	I_{DD2Q}	—	—	10	μA	
V_H Quiescent Current	I_{HQ}	—	—	10	μA	
V_{DD1} Average Current	I_{DD1}	—	0.88	—	mA	One channel on at 5 MHz, no load
V_{DD2} Average Current	I_{DD2}	—	6.6	—	mA	
V_H Average Current	I_H	—	23	—	mA	
Input Logic Voltage High	V_{IH}	$V_{OE}-0.3$	—	5	V	For logic inputs INA and INB
Input Logic Voltage Low	V_{IL}	0	—	0.3	V	
Input Logic Current High	I_{IH}	—	—	1	μA	
Input Logic Current Low	I_{IL}	—	—	1	μA	
OE Input Logic Voltage High	V_{IH}	1.8	—	5	V	For logic input OE
OE Input Logic Voltage Low	V_{IL}	0	—	0.3	V	
OE Input Logic Impedance to GND	R_{IN}	12	20	30	K Ω	
Logic Input Capacitance	C_{IN}	—	5	10	pF	All inputs
Output Sink Resistance	R_{SINK}	—	—	12.5	Ω	$I_{SINK} = 50\text{ mA}$
Output Source Resistance	R_{SOURCE}	—	—	12.5	Ω	$I_{SOURCE} = 50\text{ mA}$
Peak Output Sink Current	I_{SINK}	—	2	—	A	
Peak Output Source Current	I_{SOURCE}	—	2	—	A	

AC ELECTRICAL CHARACTERISTICS

Electrical Specifications: $V_H = V_{DD1} = V_{DD2} = 12V$, $V_L = V_{SS1} = V_{SS2} = 0V$, $V_{OE} = 3.3V$, $T_A = 25^\circ C$.						
Parameter	Sym.	Min.	Typ.	Max.	Unit	Conditions
Inputs or OE Rise and Fall Time	t_{irf}	—	—	10	ns	Logic input edge speed requirement
Propagation Delay when Output is from Low to High	t_{PLH}	—	7	—	ns	$C_{LOAD} = 1000$ pF, input signal rise/fall time of 2 ns (See Timing Diagram and Figure 3-1 .)
Propagation Delay when Output is from High to Low	t_{PHL}	—	7	—	ns	
Propagation Delay OE to Outputs	t_{POE}	—	9	—	ns	$C_{LOAD} = 1000$ pF, input signal rise/fall time of 2 ns (See Timing Diagram .)
Output Rise Time	t_r	—	6	—	ns	
Output Fall Time	t_f	—	6	—	ns	
Rise and Fall Time Matching	$ t_r - t_f $	—	1	—	ns	For each channel
Propagation Low to High and High-to-low Matching	$ t_{PLH} - t_{PHL} $	—	1	—	ns	
Propagation Delay Match	Δt_{dm}	—	± 2	—	ns	Device-to-device delay match

TEMPERATURE SPECIFICATIONS

Parameter	Sym.	Min.	Typ.	Max.	Unit	Conditions
TEMPERATURE RANGE						
Maximum Junction Temperature	T_J	—	—	+125	$^\circ C$	
Operating Ambient Temperature	T_A	-20	—	+85	$^\circ C$	
Storage Temperature	T_S	-65	—	+150	$^\circ C$	
PACKAGE THERMAL RESISTANCE						
12-lead QFN	θ_{JA}	—	47	—	$^\circ C/W$	Note 1
Thermal Resistance to Case	θ_{JC}	—	7	—	$^\circ C/W$	

Note 1: On an 1 oz. 4-layer 3" x 4" PCB with thermal pad and thermal via array

MD1213

Timing Diagram

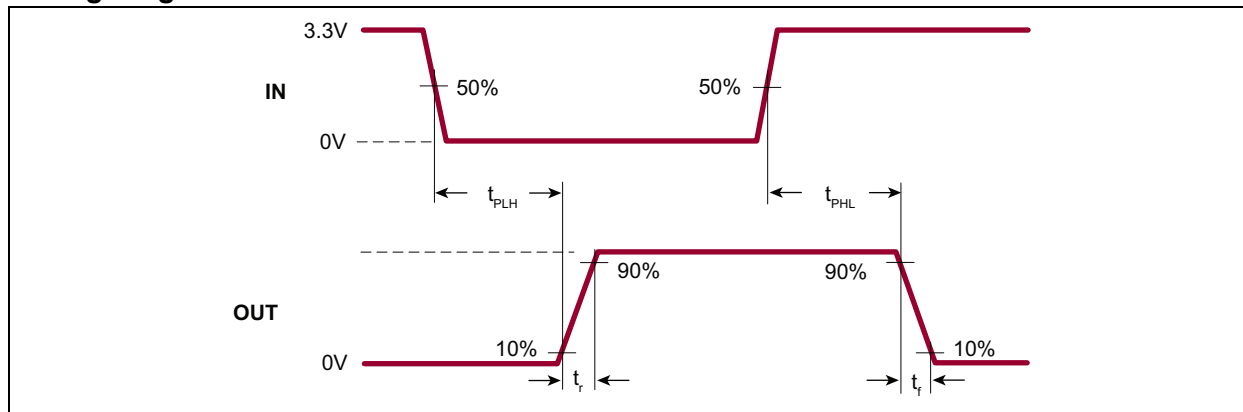


TABLE 1-1: TRUTH FUNCTION TABLE

Logic Input			Output	
OE	INA	INB	OUTA	OUTB
H	L	L	V_H	V_H
H	L	H	V_H	V_L
H	H	L	V_L	V_H
H	H	H	V_L	V_L
L	X	X	V_H	V_L

2.0 PIN DESCRIPTION

The details on the pins of MD1213 are listed on [Table 2-1](#). See [Package Type](#) for the location of pins.

TABLE 2-1: PIN FUNCTION TABLE

Pin Number	Pin Name	Description
1	INA	Logic input. Controls OUTA when OE is high. Input logic high will cause the output to swing to VL. Input logic low will cause the output to swing to VH. (See Figure 3-2 .)
2	VL	Supply voltage for N-channel output stage
3	INB	Logic input. Controls OUTB when OE is high. Input logic high will cause the output to swing to VL. Input logic low will cause the output to swing to VH. (See Figure 3-2 .)
4	GND	Logic input ground reference
5	VSS1	Low-side analog circuit and level translator supply voltage. VSS1 must be at the lowest potential of the chip. Thermal Pad and Pin 5 must be connected externally.
6	VSS2	Low-side gate drive supply voltage. VSS2 should be at the same potential as VSS1.
7	OUTB	Output driver. Swings from VH to VL. Intended to drive the gate of an external N-channel MOSFET via a series capacitor. When OE is low, the output is disabled. OUTB will swing to VL, turning off the external N-channel MOSFET.
8	VH	Supply voltage for P-channel output stage
9	OUTA	Output driver. Swings from VH to VL. Intended to drive the gate of an external P-channel MOSFET via a series capacitor. When OE is low, the output is disabled. OUTA will swing to VH, turning off the external P-channel MOSFET.
10	VDD2	High-side gate drive supply voltage
11	VDD1	High-side analog circuit and level shifter supply voltage. Should be at the same potential as VDD2.
12	OE	Output-enable logic input. When OE is high, $(V_{OE} + V_{GND})/2$ sets the threshold transition between logic level high and low for INA and INB. When OE is low, OUTA is at VH and OUTB is at VL regardless of INA and INB.
Thermal Pad		Index Pad and Thermal Pad are connected internally.

3.0 APPLICATION INFORMATION

For proper operation of the MD1213, low-inductance bypass capacitors should be used on the various supply pins. The GND input pin should be connected to the digital ground. The INA, INB and OE pins should be connected to their logic source with a swing of GND to logic level 1.8V to 5V. Good PCB layout trace practices should be followed corresponding to the desired operating speed. The internal circuitry of the MD1213 is capable of operating up to 100 MHz, with the primary speed limitation being the loading effect of the load capacitance. Because of this speed and the high transient currents due to the capacitive loads, the bypass capacitors should be as close to the chip pins as possible. Unless the load specifically requires bipolar drive, the V_{SS1} , V_{SS2} , and V_L pins should have low-inductance feed-through connections to a ground plane. The power connections V_{DD1} and V_{DD2} should have a ceramic bypass capacitor to the ground plane with short leads and decoupling components to prevent resonance in the power leads. A common capacitor and voltage source may be used for these two pins, which should always have the same applied DC voltage. For applications sensitive to jitter and noise, separate decoupling networks may be used for V_{DD1} and V_{DD2} .

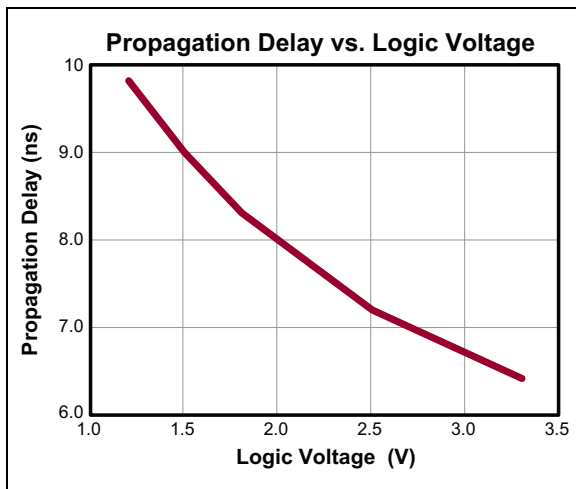


FIGURE 3-1: Propagation Delay.

The supplied voltages of V_H and V_L determine the output logic levels. These two pins can draw fast transient currents of up to 2A, so they should be provided with a suitable bypass capacitor located next to the chip pins. A ceramic capacitor of up to 1 μF may be appropriate, with a series ferrite bead to prevent resonance in the power supply lead going to the capacitor.

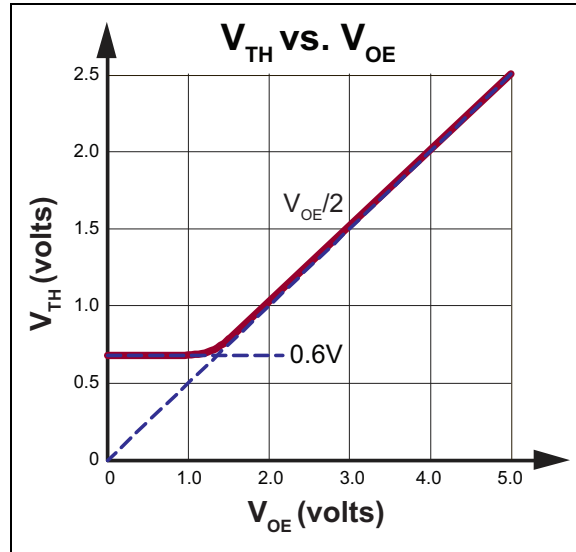


FIGURE 3-2: Logic Input Threshold.

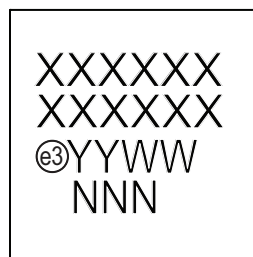
Pay particular attention to minimizing trace lengths and using sufficient trace width to reduce inductance. Surface-mount components are highly recommended. Since the output impedance of this driver is very low, in some cases, it may be desirable to add a small series resistor in series with the output signal to obtain better waveform integrity at the load terminals. This will reduce the output voltage slew rate at the terminals of a capacitive load.

Focus on parasitic coupling from the driver output to the input signal terminals. This feedback may cause oscillations or spurious waveform shapes on the edges of signal transitions. Since the input operates with signals down to 1.8V, even small coupled voltages may cause problems. Use of a solid ground plane and good power and signal layout practices will prevent this problem. Make sure that the circulating ground return current from a capacitive load will not react with common inductance and cause noise voltages in the input logic circuitry.

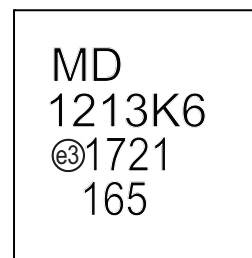
4.0 PACKAGING INFORMATION

4.1 Package Marking Information

12-lead QFN



Example

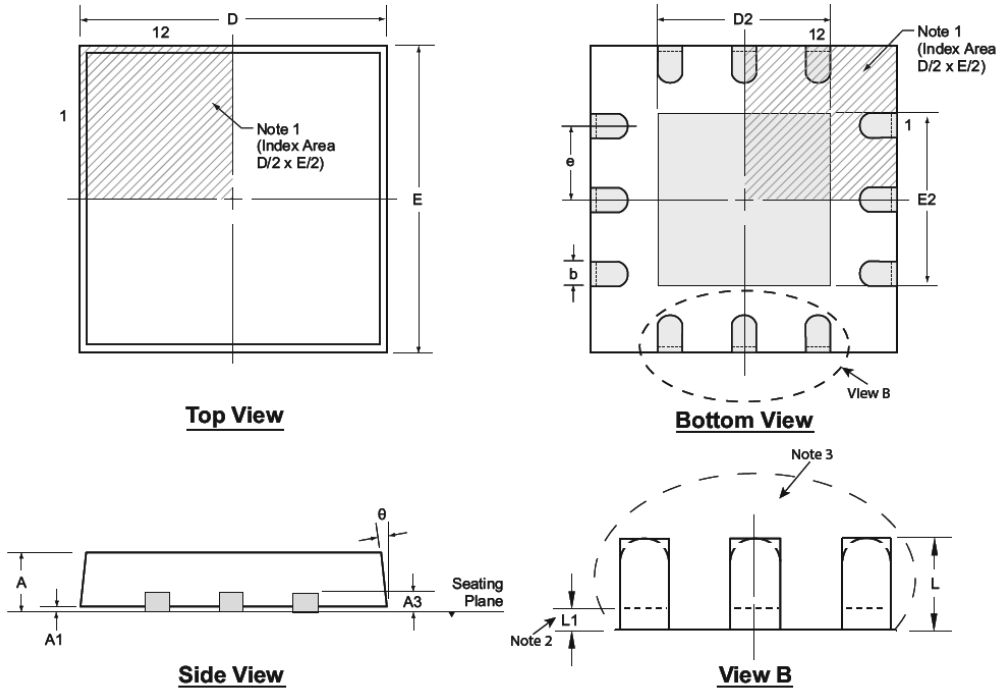


Legend:	XX...X	Product Code or Customer-specific information
	Y	Year code (last digit of calendar year)
	YY	Year code (last 2 digits of calendar year)
	WW	Week code (week of January 1 is week '01')
	NNN	Alphanumeric traceability code
	(e3)	Pb-free JEDEC® designator for Matte Tin (Sn)
	*	This package is Pb-free. The Pb-free JEDEC designator (e3) can be found on the outer packaging for this package.
Note:	In the event the full Microchip part number cannot be marked on one line, it will be carried over to the next line, thus limiting the number of available characters for product code or customer-specific information. Package may or not include the corporate logo.	

MD1213

12-Lead QFN Package Outline (K6)

4.00x4.00mm body, 1.00mm height (max), 0.80mm pitch



Note: For the most current package drawings, see the Microchip Packaging Specification at www.microchip.com/packaging.

Notes:

1. A Pin 1 identifier must be located in the index area indicated. The Pin 1 identifier can be: a molded mark/identifier, an embedded metal marker, or a printed indicator.
2. Depending on the method of manufacturing, a maximum of 0.15mm pullback (L1) may be present.
3. The inner tip of the lead may be either rounded or square.

Symbol	A	A1	A3	b	D	D2	E	E2	e	L	L1	θ	
Dimension (mm)	MIN	0.80	0.00	0.20 REF	0.25	3.85*	0.75	3.85*	0.75	0.80 BSC	0.35	0.00	0°
	NOM	0.90	0.02		0.30	4.00	1.70	4.00	1.70		0.55	-	-
	MAX	1.00	0.05		0.35	4.15*	2.25	4.15*	2.25		0.75	0.15	14°

JEDEC Registration MO-220, Variation VGGB, Issue K, June 2006.

* This dimension is not specified in the JEDEC drawing.

Drawings not to scale.

APPENDIX A: REVISION HISTORY

Revision A (April 2017)

- Converted Supertex Doc# DSFP-MD1213 to Microchip DS20005713A
- Updated the package marking format
- Changed the quantity of the 12-lead QFN K6 package from 3000/Reel to 5000/Reel
- Made minor text changes throughout the document

MD1213

PRODUCT IDENTIFICATION SYSTEM

To order or obtain information, e.g., on pricing or delivery, contact your local Microchip representative or sales office.

<u>PART NO.</u>	<u>XX</u>	-	<u>X</u>	-	<u>X</u>
Device	Package Options		Environmental		Media Type
Device:	MD1213	=	High-Speed Dual-MOSFET Driver		
Package:	K6	=	12-lead QFN		
Environmental:	G	=	Lead (Pb)-free/RoHS-compliant Package		
Media Type:	(blank)	=	5000/Reel for a K6 Package		

Example:

a) MD1213K6-G: High-Speed Dual-MOSFET Driver
12-lead (4x4) QFN, 5000/Reel

Note the following details of the code protection feature on Microchip devices:

- Microchip products meet the specification contained in their particular Microchip Data Sheet.
- Microchip believes that its family of products is one of the most secure families of its kind on the market today, when used in the intended manner and under normal conditions.
- There are dishonest and possibly illegal methods used to breach the code protection feature. All of these methods, to our knowledge, require using the Microchip products in a manner outside the operating specifications contained in Microchip's Data Sheets. Most likely, the person doing so is engaged in theft of intellectual property.
- Microchip is willing to work with the customer who is concerned about the integrity of their code.
- Neither Microchip nor any other semiconductor manufacturer can guarantee the security of their code. Code protection does not mean that we are guaranteeing the product as “unbreakable.”

Code protection is constantly evolving. We at Microchip are committed to continuously improving the code protection features of our products. Attempts to break Microchip's code protection feature may be a violation of the Digital Millennium Copyright Act. If such acts allow unauthorized access to your software or other copyrighted work, you may have a right to sue for relief under that Act.

Information contained in this publication regarding device applications and the like is provided only for your convenience and may be superseded by updates. It is your responsibility to ensure that your application meets with your specifications. MICROCHIP MAKES NO REPRESENTATIONS OR WARRANTIES OF ANY KIND WHETHER EXPRESS OR IMPLIED, WRITTEN OR ORAL, STATUTORY OR OTHERWISE, RELATED TO THE INFORMATION, INCLUDING BUT NOT LIMITED TO ITS CONDITION, QUALITY, PERFORMANCE, MERCHANTABILITY OR FITNESS FOR PURPOSE. Microchip disclaims all liability arising from this information and its use. Use of Microchip devices in life support and/or safety applications is entirely at the buyer's risk, and the buyer agrees to defend, indemnify and hold harmless Microchip from any and all damages, claims, suits, or expenses resulting from such use. No licenses are conveyed, implicitly or otherwise, under any Microchip intellectual property rights unless otherwise stated.

Microchip received ISO/TS-16949:2009 certification for its worldwide headquarters, design and wafer fabrication facilities in Chandler and Tempe, Arizona; Gresham, Oregon and design centers in California and India. The Company's quality system processes and procedures are for its PIC® MCUs and dsPIC® DSCs, KEELOQ® code hopping devices, Serial EEPROMs, microperipherals, nonvolatile memory and analog products. In addition, Microchip's quality system for the design and manufacture of development systems is ISO 9001:2000 certified.

**QUALITY MANAGEMENT SYSTEM
CERTIFIED BY DNV
= ISO/TS 16949 =**

Trademarks

The Microchip name and logo, the Microchip logo, AnyRate, AVR, AVR logo, AVR Freaks, BeaconThings, BitCloud, CryptoMemory, CryptoRF, dsPIC, FlashFlex, flexPWR, Heldo, JukeBlox, KEELOQ, KEELOQ logo, Klear, LANCheck, LINK MD, maXStylus, maXTouch, MediaLB, megaAVR, MOST, MOST logo, MPLAB, OptoLyzer, PIC, picoPower, PICSTART, PIC32 logo, Prochip Designer, QTouch, RightTouch, SAM-BA, SpyNIC, SST, SST Logo, SuperFlash, tinyAVR, UNI/O, and XMEGA are registered trademarks of Microchip Technology Incorporated in the U.S.A. and other countries.

ClockWorks, The Embedded Control Solutions Company, EtherSynch, Hyper Speed Control, HyperLight Load, IntelliMOS, mTouch, Precision Edge, and Quiet-Wire are registered trademarks of Microchip Technology Incorporated in the U.S.A.

Adjacent Key Suppression, AKS, Analog-for-the-Digital Age, Any Capacitor, AnyIn, AnyOut, BodyCom, chipKIT, chipKIT logo, CodeGuard, CryptoAuthentication, CryptoCompanion, CryptoController, dsPICDEM, dsPICDEM.net, Dynamic Average Matching, DAM, ECAN, EtherGREEN, In-Circuit Serial Programming, ICSP, Inter-Chip Connectivity, JitterBlocker, KlearNet, KlearNet logo, Mindi, MiWi, motorBench, MPASM, MPF, MPLAB Certified logo, MPLIB, MPLINK, MultiTRAK, NetDetach, Omniscient Code Generation, PICDEM, PICDEM.net, PICKit, PICTail, PureSilicon, QMatrix, RightTouch logo, REAL ICE, Ripple Blocker, SAM-ICE, Serial Quad I/O, SMART-I.S., SQI, SuperSwitcher, SuperSwitcher II, Total Endurance, TSHARC, USBCheck, VariSense, ViewSpan, WiperLock, Wireless DNA, and ZENA are trademarks of Microchip Technology Incorporated in the U.S.A. and other countries.

SQTP is a service mark of Microchip Technology Incorporated in the U.S.A.

Silicon Storage Technology is a registered trademark of Microchip Technology Inc. in other countries.

GestIC is a registered trademark of Microchip Technology Germany II GmbH & Co. KG, a subsidiary of Microchip Technology Inc., in other countries.

All other trademarks mentioned herein are property of their respective companies.

© 2017, Microchip Technology Incorporated, All Rights Reserved.
ISBN: 978-1-5224-1558-9



MICROCHIP

Worldwide Sales and Service

AMERICAS

Corporate Office

2355 West Chandler Blvd.
Chandler, AZ 85224-6199
Tel: 480-792-7200
Fax: 480-792-7277
Technical Support:
<http://www.microchip.com/support>

Web Address:

www.microchip.com

Atlanta

Duluth, GA
Tel: 678-957-9614
Fax: 678-957-1455

Austin, TX

Tel: 512-257-3370

Boston

Westborough, MA
Tel: 774-760-0087
Fax: 774-760-0088

Chicago

Itasca, IL
Tel: 630-285-0071
Fax: 630-285-0075

Dallas

Addison, TX
Tel: 972-818-7423
Fax: 972-818-2924

Detroit

Novi, MI
Tel: 248-848-4000

Houston, TX

Tel: 281-894-5983

Indianapolis

Noblesville, IN
Tel: 317-773-8323
Fax: 317-773-5453
Tel: 317-536-2380

Los Angeles

Mission Viejo, CA
Tel: 949-462-9523
Fax: 949-462-9608
Tel: 951-273-7800

Raleigh, NC

Tel: 919-844-7510

New York, NY

Tel: 631-435-6000

San Jose, CA

Tel: 408-735-9110
Tel: 408-436-4270

Canada - Toronto

Tel: 905-695-1980
Fax: 905-695-2078

ASIA/PACIFIC

Asia Pacific Office

Suites 3707-14, 37th Floor
Tower 6, The Gateway
Harbour City, Kowloon

Hong Kong

Tel: 852-2943-5100
Fax: 852-2401-3431

Australia - Sydney

Tel: 61-2-9868-6733
Fax: 61-2-9868-6755

China - Beijing

Tel: 86-10-8569-7000
Fax: 86-10-8528-2104

China - Chengdu

Tel: 86-28-8665-5511
Fax: 86-28-8665-7889

China - Chongqing

Tel: 86-23-8980-9588
Fax: 86-23-8980-9500

China - Dongguan

Tel: 86-769-8702-9880

China - Guangzhou

Tel: 86-20-8755-8029

China - Hangzhou

Tel: 86-571-8792-8115
Fax: 86-571-8792-8116

China - Hong Kong SAR

Tel: 852-2943-5100
Fax: 852-2401-3431

China - Nanjing

Tel: 86-25-8473-2460
Fax: 86-25-8473-2470

China - Qingdao

Tel: 86-532-8502-7355
Fax: 86-532-8502-7205

China - Shanghai

Tel: 86-21-3326-8000
Fax: 86-21-3326-8021

China - Shenyang

Tel: 86-24-2334-2829
Fax: 86-24-2334-2393

China - Shenzhen

Tel: 86-755-8864-2200
Fax: 86-755-8203-1760

China - Wuhan

Tel: 86-27-5980-5300
Fax: 86-27-5980-5118

China - Xian

Tel: 86-29-8833-7252
Fax: 86-29-8833-7256

ASIA/PACIFIC

China - Xiamen

Tel: 86-592-2388138
Fax: 86-592-2388130

China - Zhuhai

Tel: 86-756-3210040
Fax: 86-756-3210049

India - Bangalore

Tel: 91-80-3090-4444
Fax: 91-80-3090-4123

India - New Delhi

Tel: 91-11-4160-8631
Fax: 91-11-4160-8632

India - Pune

Tel: 91-20-3019-1500

Japan - Osaka

Tel: 81-6-6152-7160
Fax: 81-6-6152-9310

Japan - Tokyo

Tel: 81-3-6880-3770
Fax: 81-3-6880-3771

Korea - Daegu

Tel: 82-53-744-4301
Fax: 82-53-744-4302

Korea - Seoul

Tel: 82-2-554-7200
Fax: 82-2-558-5932 or
82-2-558-5934

Malaysia - Kuala Lumpur

Tel: 60-3-6201-9857
Fax: 60-3-6201-9859

Malaysia - Penang

Tel: 60-4-227-8870
Fax: 60-4-227-4068

Philippines - Manila

Tel: 63-2-634-9065
Fax: 63-2-634-9069

Singapore

Tel: 65-6334-8870
Fax: 65-6334-8850

Taiwan - Hsin Chu

Tel: 886-3-5778-366
Fax: 886-3-5770-955

Taiwan - Kaohsiung

Tel: 886-7-213-7830

Taiwan - Taipei

Tel: 886-2-2508-8600
Fax: 886-2-2508-0102

Thailand - Bangkok

Tel: 66-2-694-1351
Fax: 66-2-694-1350

EUROPE

Austria - Wels

Tel: 43-7242-2244-39
Fax: 43-7242-2244-393

Denmark - Copenhagen

Tel: 45-4450-2828
Fax: 45-4485-2829

Finland - Espoo

Tel: 358-9-4520-820

France - Paris

Tel: 33-1-69-53-63-20
Fax: 33-1-69-30-90-79

France - Saint Cloud

Tel: 33-1-30-60-70-00

Germany - Garching

Tel: 49-8931-9700

Germany - Haan

Tel: 49-2129-3766400

Germany - Heilbronn

Tel: 49-7131-67-3636

Germany - Karlsruhe

Tel: 49-721-625370

Germany - Munich

Tel: 49-89-627-144-0
Fax: 49-89-627-144-44

Germany - Rosenheim

Tel: 49-8031-354-560

Israel - Ra'anana

Tel: 972-9-744-7705

Italy - Milan

Tel: 39-0331-742611
Fax: 39-0331-466781

Italy - Padova

Tel: 39-049-7625286

Netherlands - Drunen

Tel: 31-416-690399
Fax: 31-416-690340

Norway - Trondheim

Tel: 47-7289-7561

Poland - Warsaw

Tel: 48-22-3325737

Romania - Bucharest

Tel: 40-21-407-87-50

Spain - Madrid

Tel: 34-91-708-08-90
Fax: 34-91-708-08-91

Sweden - Gothenberg

Tel: 46-31-704-60-40

Sweden - Stockholm

Tel: 46-8-5090-4654

UK - Wokingham

Tel: 44-118-921-5800
Fax: 44-118-921-5820