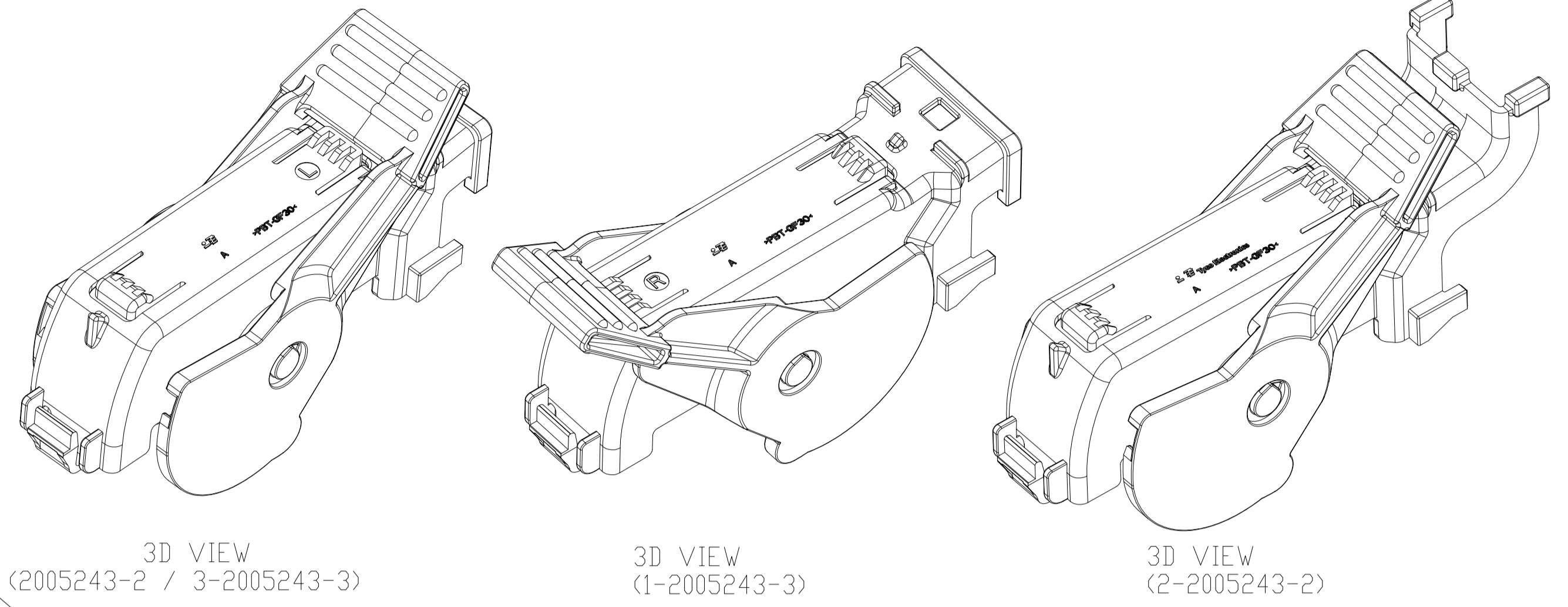
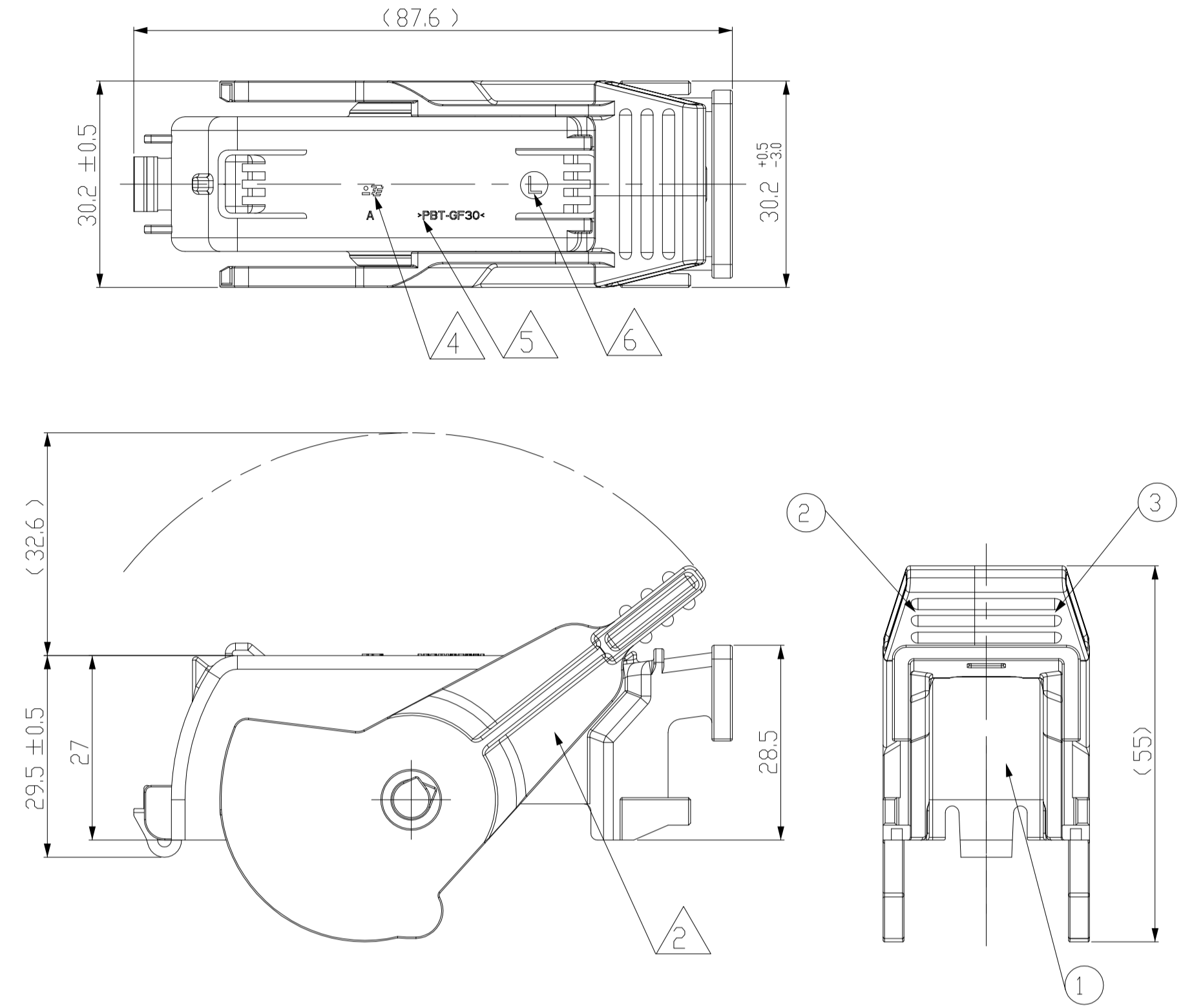


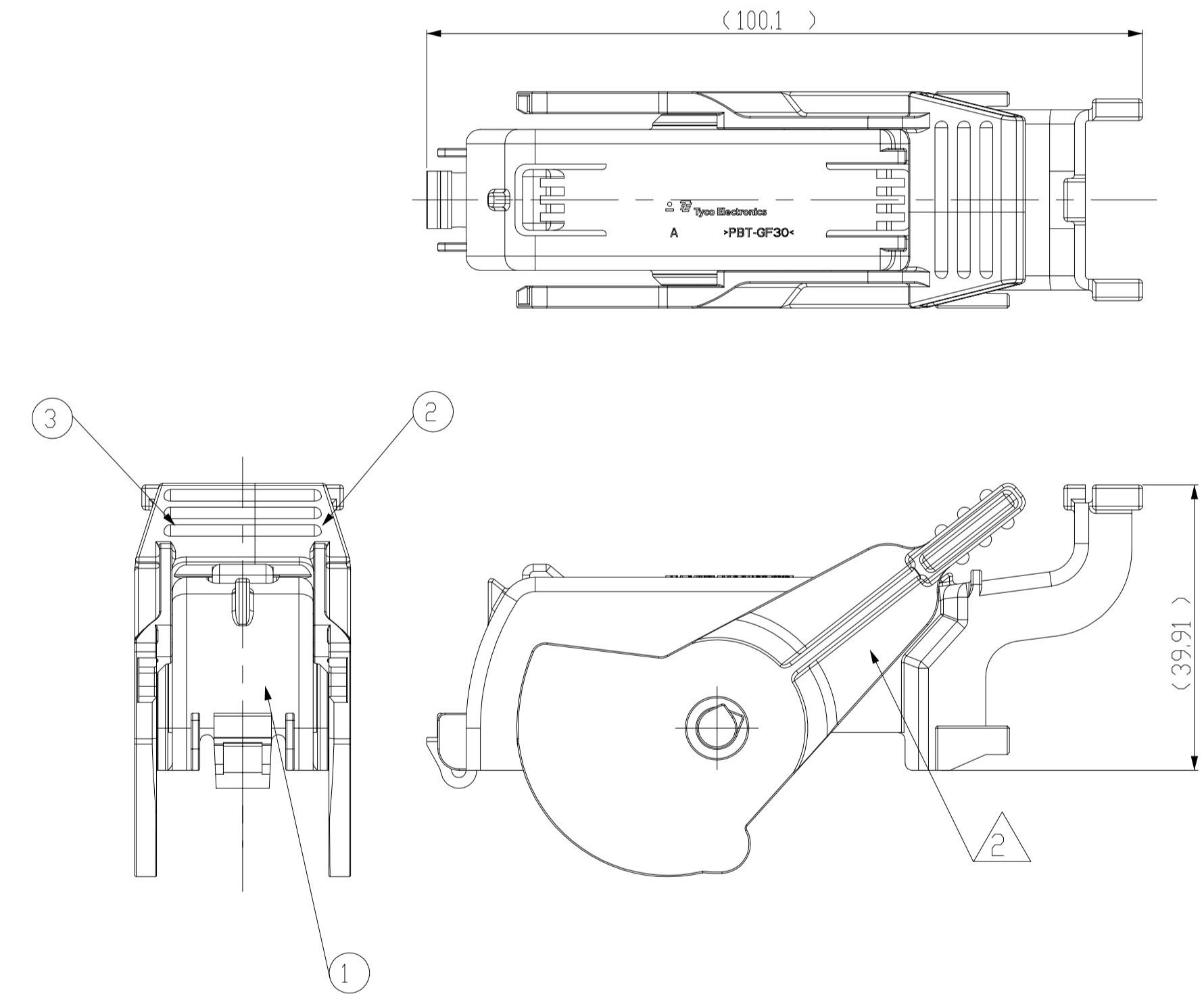
THIS DRAWING IS UNPUBLISHED. RELEASED FOR PUBLICATION 20  
 © COPYRIGHT 20 BY - TE Connectivity ALL RIGHTS RESERVED.

REVISIONS					
P	LTR	DESCRIPTION	DATE	DWN	APVD
	A1	REVISED (ECR-15-008320)	19AUG.15	SJ	HG

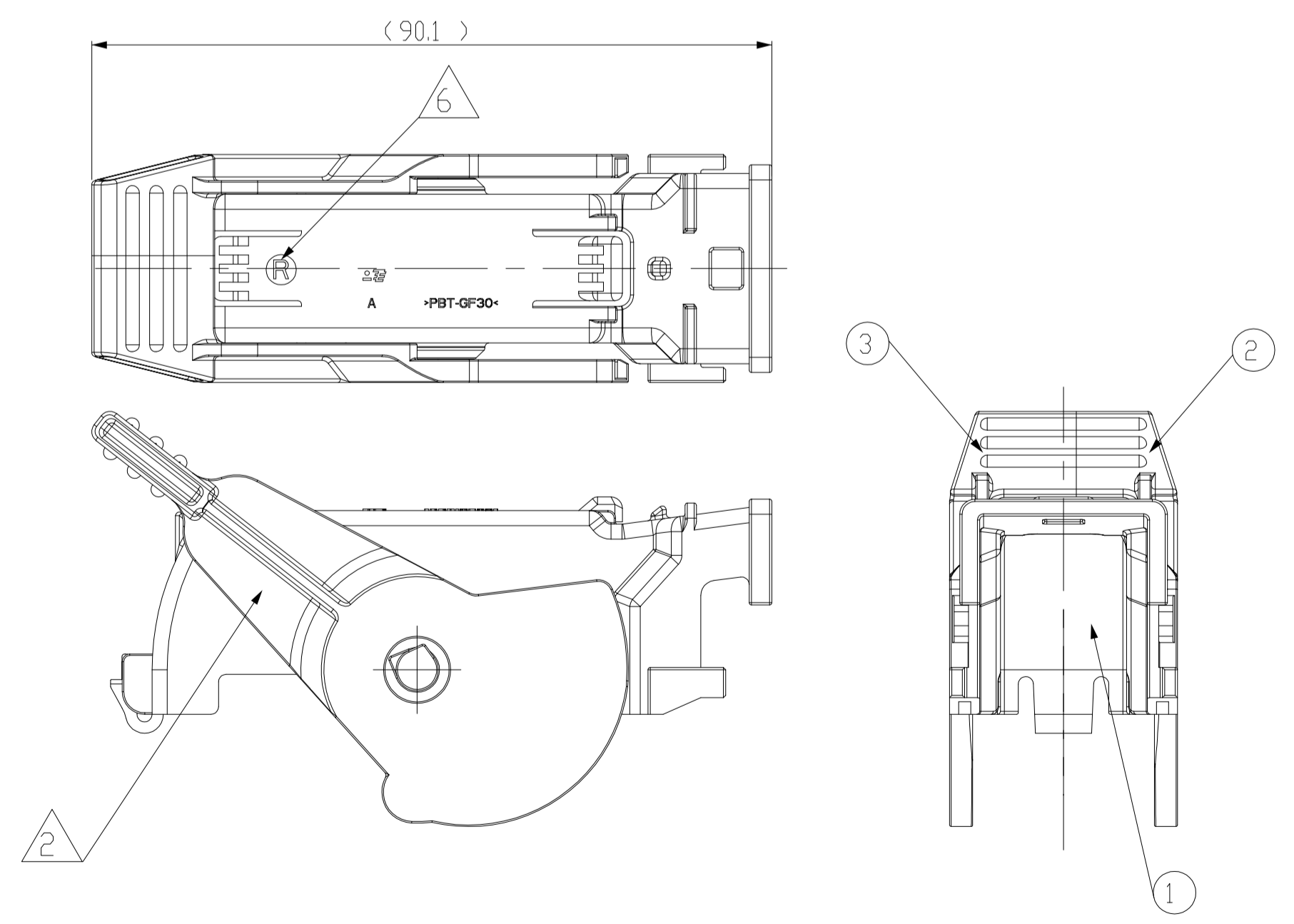
7. TYPE "L" DRAWING (2005243-2 / 3-2005243-3) IS BELOW SHOWN



9. TYPE "V" DRAWING (2-2005243-2) IS BELOW SHOWN



8. TYPE "R" DRAWING (1-2005243-3) IS BELOW SHOWN



- NOTE
- 1. GENERAL TOLERANCE: ±0.3, ±3°
  - 2. DELIVERY CONDITION
  - 3. APPLICABLE CONNECTOR P/N: X-2005238-X
  - 4. TE LOGO
  - 5. MATERIAL MARK
  - 6. TYPE MARK

NO.	COLOR	MATERIAL	DESCRIPTION	QTY		
				3-2005243-3	2-2005243-2	1-2005243-3
3	BLACK	PBT-GF30	LEVER HSG (RH)	1	1	1
2	BLACK	PBT-GF30	LEVER HSG (LH)	1	1	1
1	GRAY	PBT-GF30	COVER HSG TYPE "L"	1		
	BLACK	PBT-GF30	COVER HSG TYPE "V"		1	
	GRAY	PBT-GF30	COVER HSG TYPE "R"			1
	BLACK	PBT-GF30	COVER HSG TYPE "L"			1

THIS DRAWING IS A CONTROLLED DOCUMENT.

DWN: S.J. CHOI  
 CHK: J.W. JUNG  
 APVD: H.G. CHO  
 PRODUCT SPEC

TE Connectivity

NAME: HYB 38P ISL COVER ASS'Y

SIZE: A2 CAGE CODE: 00779 DRAWING NO: C=2005243 RESTRICTED TO

WEIGHT: CUSTOMER DRAWING SCALE: 1:1 SHEET 1 OF 1 REV: A1