

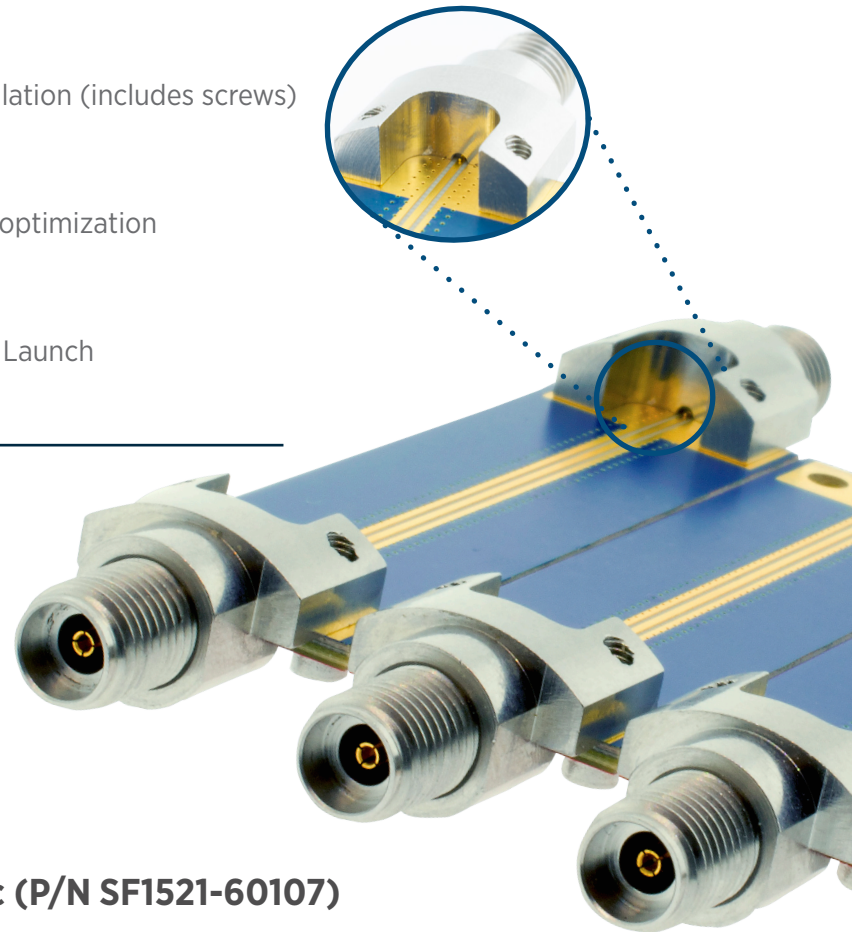
Solderless Edge Launch Connectors

Features & Benefits

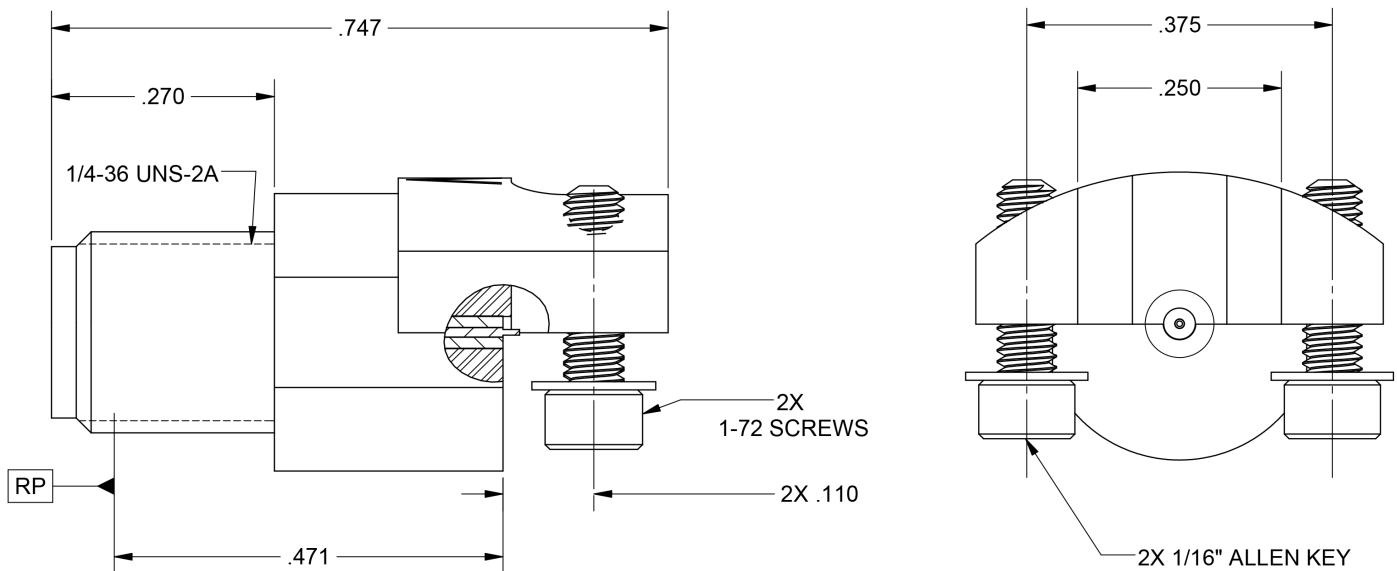
- Solderless compression mount for fast and easy installation (includes screws)
- Cost effective solutions for testing
- Durable and rugged design
- Customized PCB footprint design through simulation optimization
- COTS versions readily available through distribution
- Adjustable for multiple PCB thicknesses
- Minimal reflections through impedance matched PCB Launch
- SMA, 2.92mm, 2.4mm, and 1.85mm series available

Applications

- RF test and measurement boards
- Rapid prototyping
- High Speed Digital component test
- Military and Aerospace

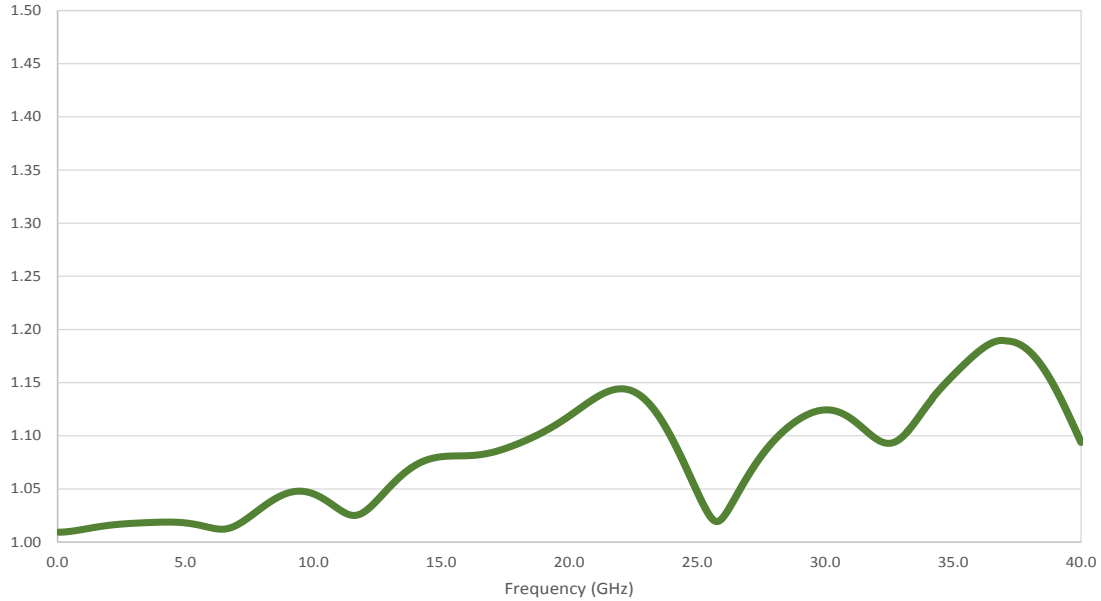


2.92mm Schematic (P/N SF1521-60107)



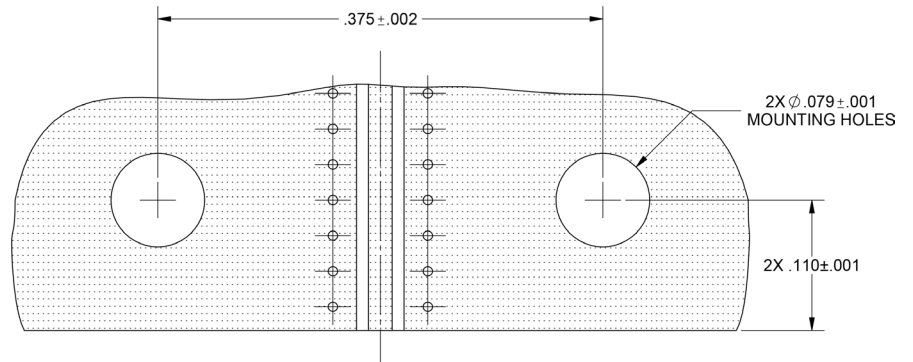
Specifications				
Electrical	SMA	2.92mm	2.4mm	1.85mm
Impedance	50Ω	50Ω	50Ω	50Ω
Max Frequency	26.5 GHz	40 GHz	50 GHz	67 GHz
Mechanical	SMA	2.92mm	2.4mm	1.85mm
Intermateability	3.5mm, 2.92mm	SMA, 3.5mm	1.85mm	2.4mm
Recommended Mating	7 - 10 in - lbs	7 - 10 in - lbs	5 - 7 in - lbs	5 - 7 in - lbs
Recommended Board Mount	12 in - oz	12 in - oz	12 in - oz	12 in - oz

VSWR: SF1521-60107 Connector to PCB Launch



The VSWR above is a gated measurement from the reference plane of the connector into .125" of board trace. Board construction was coplanar waveguide trace on a 10 mil core of Megtron 6.

(Recommended Mounting)



Solderless Edge Launch Line		
Series	Sex	Part Number
SMA	F	SF2921-61450
2.92mm	F	SF1521-60107
2.4mm	F	SF1621-60036
1.85mm	F	SF3321-60021