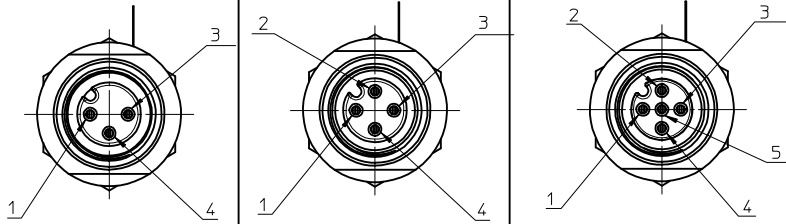


FACE VIEW - FEMALE INSERT SCALE 2 : 1



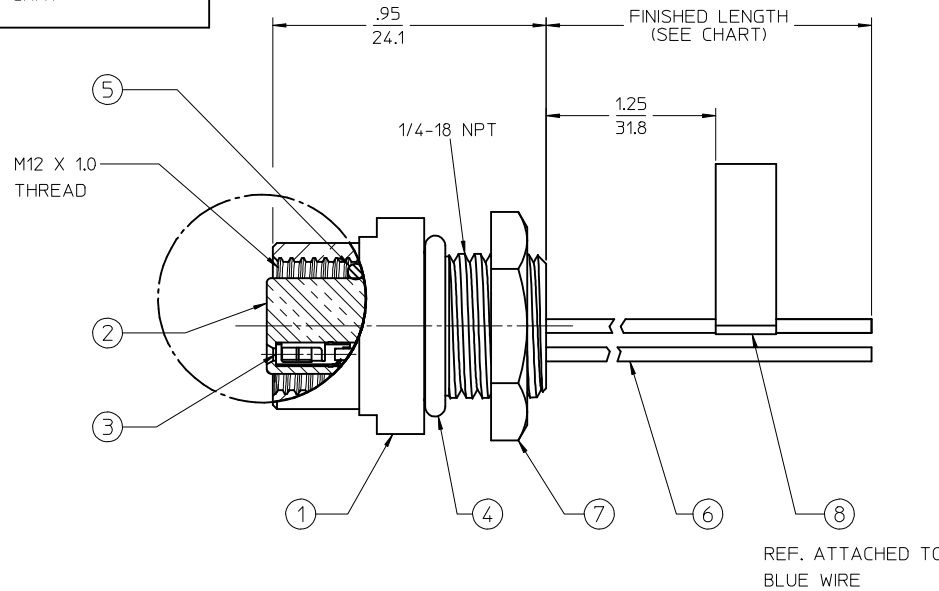
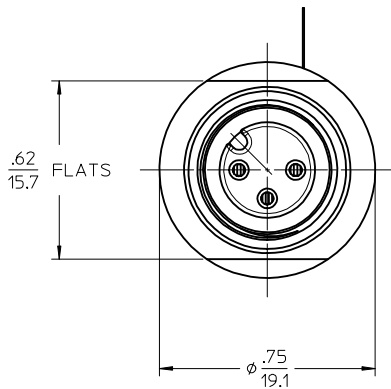
1 BROWN
3 BLUE
4 BLACK

1 BROWN
2 WHITE
3 BLUE
4 BLACK

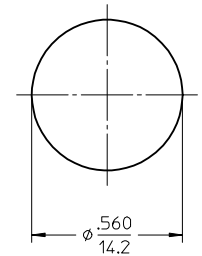
1 BROWN
2 WHITE
3 BLUE
4 BLACK
5 GRAY

PART NUMBER	POLES	DESCRIPTION	FINISHED LENGTH
1200700056	3	8R3A00A18A120	12.0" +.75" -0 [0.3M +19.1MM -0]
1200700114	4	8R4A00A18A120	12.0" +.75" -0 [0.3M +19.1MM -0]
1200700201	5	8R5A00A18A120	12.0" +.75" -0 [0.3M +19.1MM -0]

- NOTES:
1. MATERIAL: SEE TABLE
 2. FINISHES: SEE TABLE
 3. ELECTRICAL SPECIFICATIONS
VOLTAGE RATING: 250V
CURRENT RATING: 4 AMPS
 4. PROTECTION: IP67 (WHEN MATED)
 5. DIMS SHOWN ARE FOR REFERENCE ONLY



REF. KNOCK-OUT HOLE



FINAL ASSEMBLY
1200700056 (SHOWN)

8	FLAG LABEL	VINYL	BLACK/YELLOW
7	PANEL NUT	STEEL	ZINC PLATED
6	WIRE, 22-1	PVC INSULATED	SEE FACE VIEWS
5	O-RING (MATING)	VITON	RED
4	O-RING (PANEL)	NITRILE	BLACK
3	CONTACT SOCKET	Cu ALLOY	GOLD PLATED
2	INSERT, FEMALE	NYLON	BLACK
1	SHELL	ALUMINUM	CLEAR ANODIZE
ITEM	DESCRIPTION	MATERIAL	FINISH

REDRAWN, ADD NOTES CORRECTED PIN-OUT CIRS 1 & 3 EC NO: IPG2017-0287 DRAWNR:STONE 2016/09/14 CHKDK:COX 2016/16/19 APPR:TWOJDEGER/IE/2016/09/16	QUALITY SYMBOLS ▽=0 ▽=0	GENERAL TOLERANCES (UNLESS SPECIFIED) <table border="1"> <thead> <tr> <th></th> <th>mm</th> <th>INCH</th> </tr> </thead> <tbody> <tr> <td>4 PLACES</td> <td>± .005</td> <td>± .0002</td> </tr> <tr> <td>3 PLACES</td> <td>± .003</td> <td>± .0001</td> </tr> <tr> <td>2 PLACES</td> <td>± .002</td> <td>± .00008</td> </tr> <tr> <td>1 PLACE</td> <td>± .001</td> <td>± .00004</td> </tr> </tbody> </table> ANGULAR ±1/2°		mm	INCH	4 PLACES	± .005	± .0002	3 PLACES	± .003	± .0001	2 PLACES	± .002	± .00008	1 PLACE	± .001	± .00004	DIMENSION STYLE IN/MM DRAWN BY NKUMAR01 DATE 27/08/09 CHECKED BY BWOODMAN DATE 27/08/09 APPROVED BY JFMURPHY DATE 2009/08/27	SCALE 3:1 DESIGN UNITS INCH THIRD ANGLE PROJECTION	TITLE MICRO-CHANGE RECEPTACLE M12 FEMALE, 22 AWG 1/4 NPT FRONT PANEL MT
		mm	INCH																	
	4 PLACES	± .005	± .0002																	
	3 PLACES	± .003	± .0001																	
2 PLACES	± .002	± .00008																		
1 PLACE	± .001	± .00004																		
DRAFT WHERE APPLICABLE MUST REMAIN WITHIN DIMENSIONS			MATERIAL NO. SEE P/N CHART SIZE C	MOLEX INCORPORATED	SHEET NO. 1 OF 1															
THIS DRAWING CONTAINS INFORMATION THAT IS PROPRIETARY TO MOLEX INCORPORATED AND SHOULD NOT BE USED WITHOUT WRITTEN PERMISSION																				
DOCUMENT NO. SD-120070-056																				