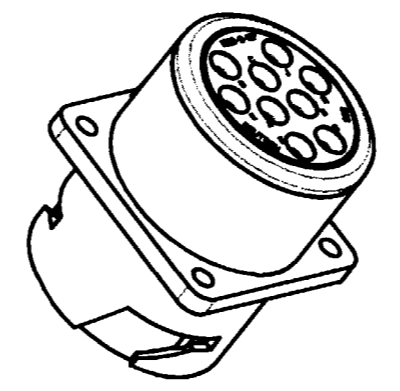
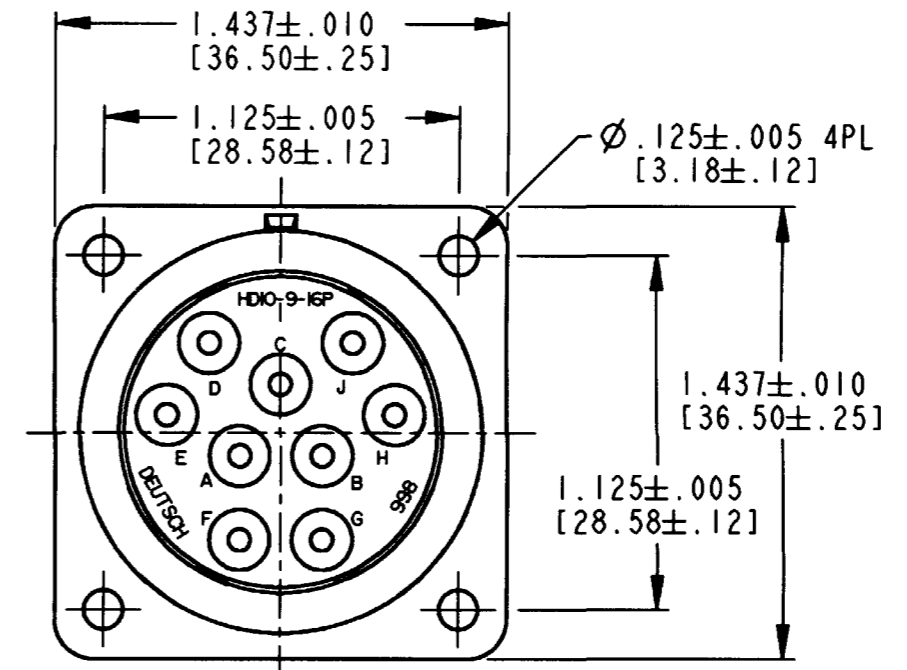
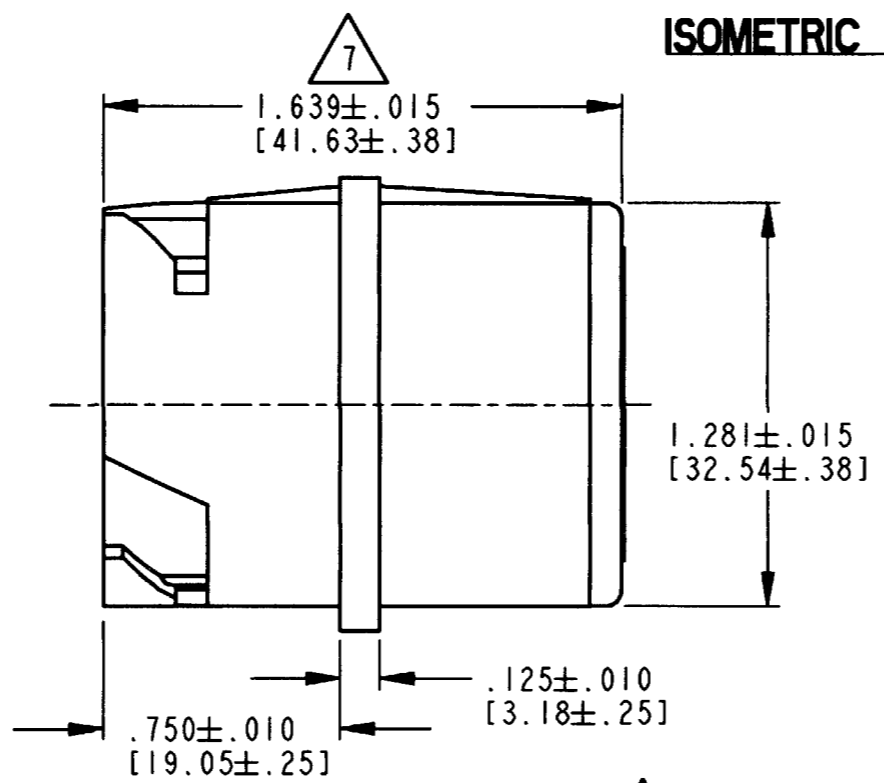
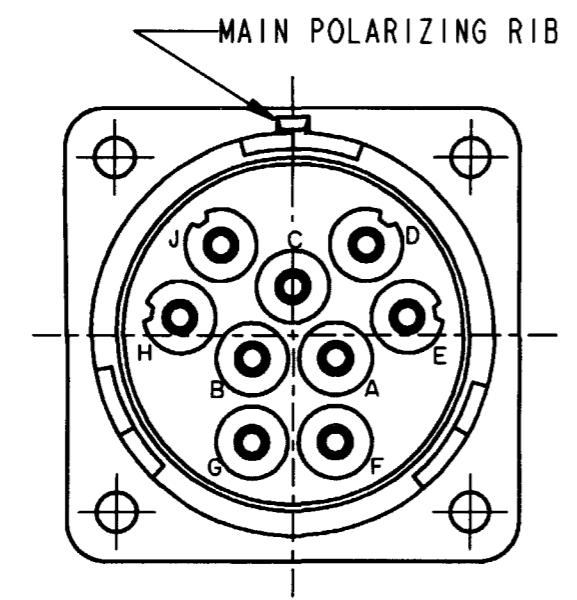


REV
E HD10-9-16P



ISOMETRIC VIEW

REVISIONS			
SYM	DESCRIPTION	DATE	APPROVED
NC	NEW RELEASE PER E.O. A0147	05/27/83	
A	REVISED PER E.O. A1395	04/05/84	
B	REVISION (2) PER E.O. A3379	09/05/85	J.R.A.
C	REVISED PER E.O. A4536	01/10/86	J.R.A.
D	REVISED PER E.O. A5914	04/17/87	J.R.A.
E	REDRAWN & REVISED PER E.O. P16119	5/20/99	<i>[Signature]</i>



VIEW FROM REAR OF INSERT

4. ALL DIMENSIONS ARE IN INCHES [MILLIMETERS].
 3. THIS CONNECTOR SERIES WILL ACCOMMODATE THE FOLLOWING WIRE INSULATION DIAMETERS:
- | CONTACT SIZE | MIN. INSUL O.D. | MAX. INSUL O.D. | WIRE RANGE [mm ²] |
|--------------|-----------------|-----------------|-------------------------------|
| 16 | .100 [2.45] | .150 [3.81] | 14-18 AWG [2.0-0.8] |
2. CONSULT FACTORY FOR ELECTRICAL AND MATERIAL SPECIFICATION.
 1. PERTINENT INFORMATION:
 NOTES: 18 AND 16 POWER CONTACT PIN 0460-202-16141
 16 AND 14 POWER CONTACT PIN 0460-215-16141

7. OVERALL DIMENSION DOES NOT INCLUDE RUBBER GROMMET.
 6. THIS RECEPTACLE MATES WITH HD16-9-16S-**** PLUG (**** = ALL MODIFICATIONS).
 5. FOR CONTACT AND WIRE PERFORMANCE AND APPLICATION CHARACTERISTICS SEE ENVELOPE DRAWING 0425-015-0000.

SIGNATURE & DATE	
DR	J. HAYNES 05/20/99
CHK	<i>[Signature]</i> 5/20/99
PE	<i>[Signature]</i> 5/28/99
APPD	<i>[Signature]</i> 5/20/99
SCALE	1:1.75 WT

RECEPTACLE CONNECTOR
 SQUARE FLANGE
 HD10 SERIES
 ARR. 9-16
 ENVELOPE

CP	MATL. CODE
The Deutsch Company DEUTSCH I.P.D. 3850 INDUSTRIAL AVE. HEMET, CALIF. 92545	
B HD10-9-16P	
DWG SIZE	CODE SHEET OF