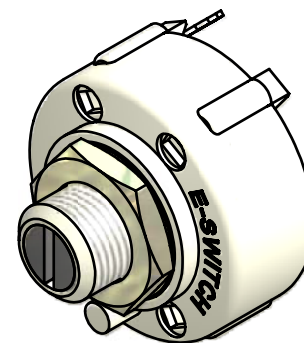
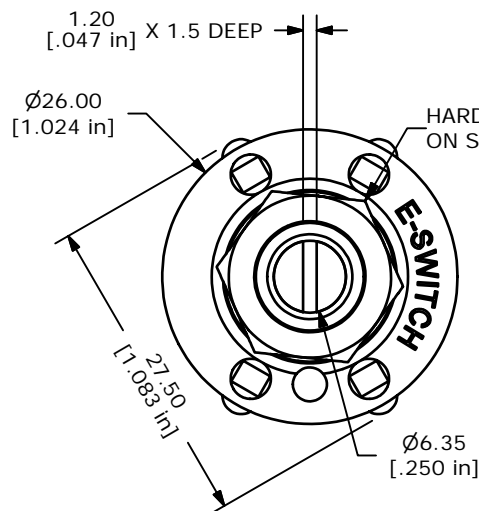
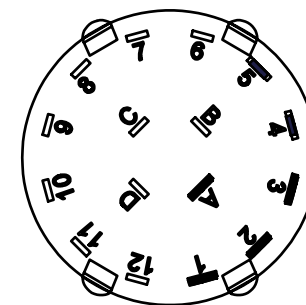


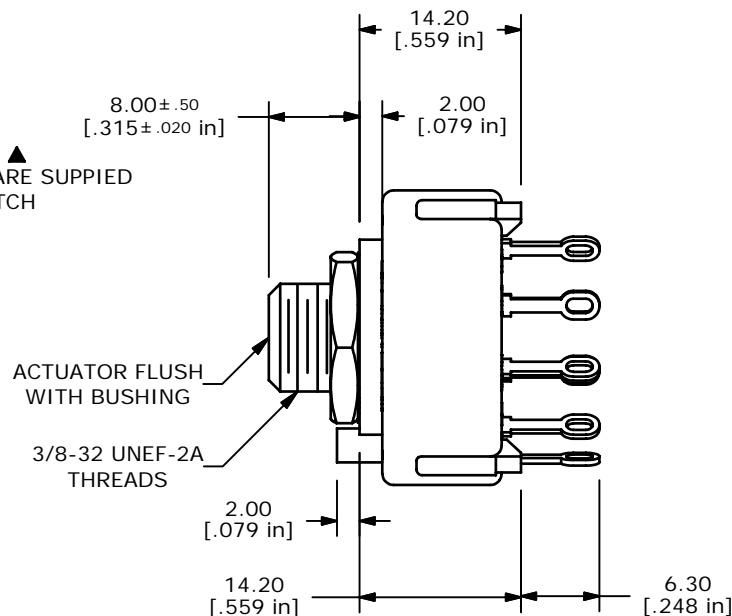
CONTACT CONFIGURATION
TIMING (BBM) NON-SHORTING



ISOMETERIC



▲ HARDWARE SUPPLIED ON SWITCH



NOTE:

1. ALL DIMENSIONS IN MM[INCH].
2. GENERAL TOLERANCE: X.X=±0.4
X.XX=±0.25
3. TERM. NOS. FOR REFERENCE ONLY.
4. CONTACT MATERIAL: SILVER
5. CONTACT RATING: 0.3A @ 125VAC
6. OPERATING FORCE 425±100CM/STANDARD
7. OPERATING TEMP: -30°C TO 85°C
- ▲8. CIRCUIT SP: 5 POSITION 30° INDEX.
9. DIELECTRIC STRENGTH: 1000V RMS MIN.@ SEA LEVEL.
- ▲10. HARDWARE SUPPLIED ON SWITCH:
LOCKWASHER, HEXNUT, STOP RING
11. ▲ DENOTES CRITICAL PARAMETER.
12. 2002/95/EC (ROHS) COMPLIANT

E-SWITCH®

TITLE KC15D0.001NLS

A	16957	RELEASED FOR PRODUCTION	2/8/07	TN
REV	PCR NO	DESCRIPTION	DATE	BY

THE INFORMATION CONTAINED IN THIS DOCUMENT IS PROPRIETARY TO E-SWITCH AND IS NOT TO BE COPIED OR TRANSFERRED

SCALE	DATE	DR	DWG	REV
1.5:1	2/8/2007	TN	G527966	A