

System Board 6284

MAXREFDES114# ISOLATED 24V TO 5V 10W POWER SUPPLY

Overview

Maxim's power supply experts have designed and built a series of isolated, industrial power-supply reference designs. Each of these power supplies efficiently converts 24V into useful voltage rails at a variety of power levels. Every power rail is isolated with a readily available transformer from multiple, global vendors, providing for quick, convenient transformer selection. Each design has been tested for load and line regulation, as well as efficiency and transient performance. As with all Maxim reference designs, the BOM, schematics, layout files, and Gerber files are all available in the Design Resources tab. In addition, boards are available for purchase; most boards feature through-hole pins for immediate board placement and accelerated prototyping.

MAXREFDES114# is an efficient active-clamp topology design with 24V input, and a 5V output at 10W of power (2A). The design features the [MAX17599](#), an active-clamp, current-mode PWM controller optimized for industrial supplies. This entire circuit fits on a 20mm × 40mm board.

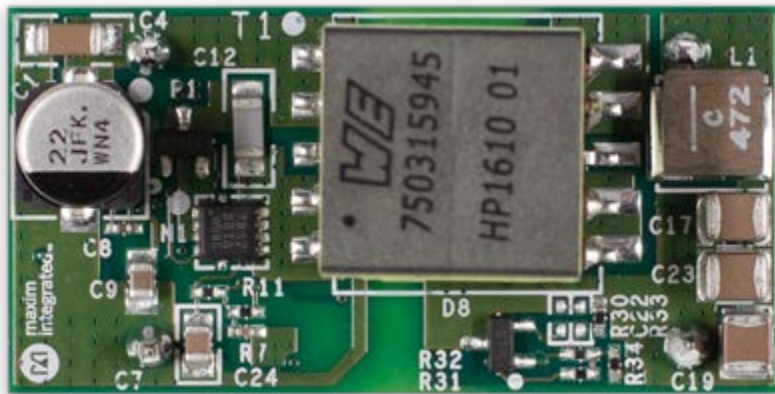
Features

- Functional insulation
- Compact and flexible
- Low power dissipation
- Minimal external components
- Robust operation in adverse industrial environments

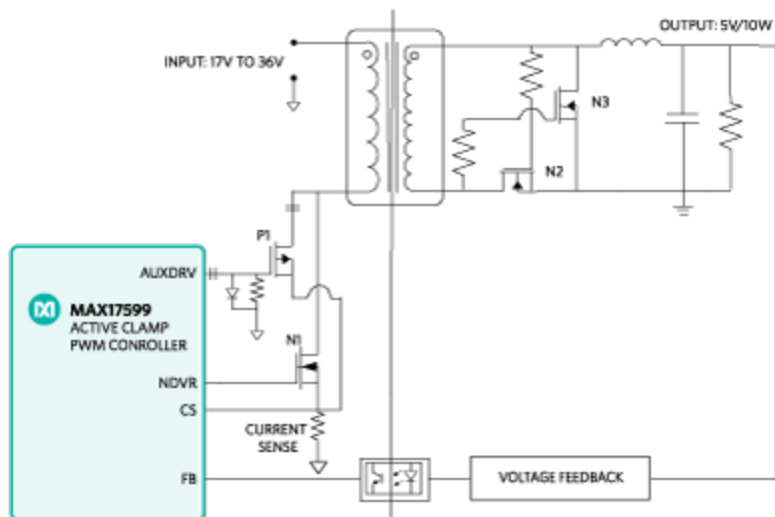
Applications

- PLCs
- Industrial process control and sensors
- Telecom and datacom power supplies

MAXREFDES114# System Board



MAXREFDES114# Reference Design Block Diagram



Details

Introduction

The MAXREFDES114# reference design (**Figure 1**) demonstrates the application of the MAX17599 low IQ, wide-input range, active-clamp current-mode PWM controller. The MAX17599 contains all the control circuitry required for the design of wide-input isolated forward-converter industrial power supplies. The reference design operates over a 17V to 36V input-voltage range, and provides up to 2A at 5V output. The reference design features the active-clamp transformer reset topology for forward converters. This reset topology has several advantages including reduced voltage stress on the switches, transformer size reduction due to larger allowable flux swing, and improved efficiency due to elimination of dissipative snubber circuitry. These features result in a compact and cost-effective isolated power supply. The design is set to switch at 330kHz. For EMI-sensitive applications, the user can program the frequency-dithering scheme, enabling low-EMI spread-spectrum operation. Pins are 15.24mm (0.6in) from power to ground, and 27.94mm (1.1in) from the input side to the output side.

The input-undervoltage lockout (EN/UVLO) is provided for programming the input-supply start voltage (set to 16.5V in the design) and to ensure proper operation during brownout conditions. The EN/UVLO input is also used to turn on/off the IC. The overvoltage input (OVI) protection scheme is provided to make sure that the controller shuts down when the input supply exceeds its maximum allowed value (set to 37.0V in the design).

To control inrush current, the device incorporates a soft-start (SS) pin to set the soft-start time for the regulator. Power dissipation under fault conditions is minimized by hiccup-overcurrent protection (hiccup mode). The soft-stop feature provides safe discharging of the clamp capacitor when the device is turned off, and allows the controller to restart in a well-controlled manner.

Additionally, the negative current limit is provided in the current-sense circuitry, helping limit clamp switch current under dynamic operating conditions. An over temperature fault triggers thermal shutdown for reliable protection of the device.

The reference design delivers a peak efficiency of 92% with the supplied components when the input is 24V. This general-purpose power solution can be used in many different types of power applications, such as programmable logic controllers (PLC), industrial process control, industrial

sensors, telecom/datacom power supplies, isolated battery chargers, servers, and embedded computing.

System Diagram

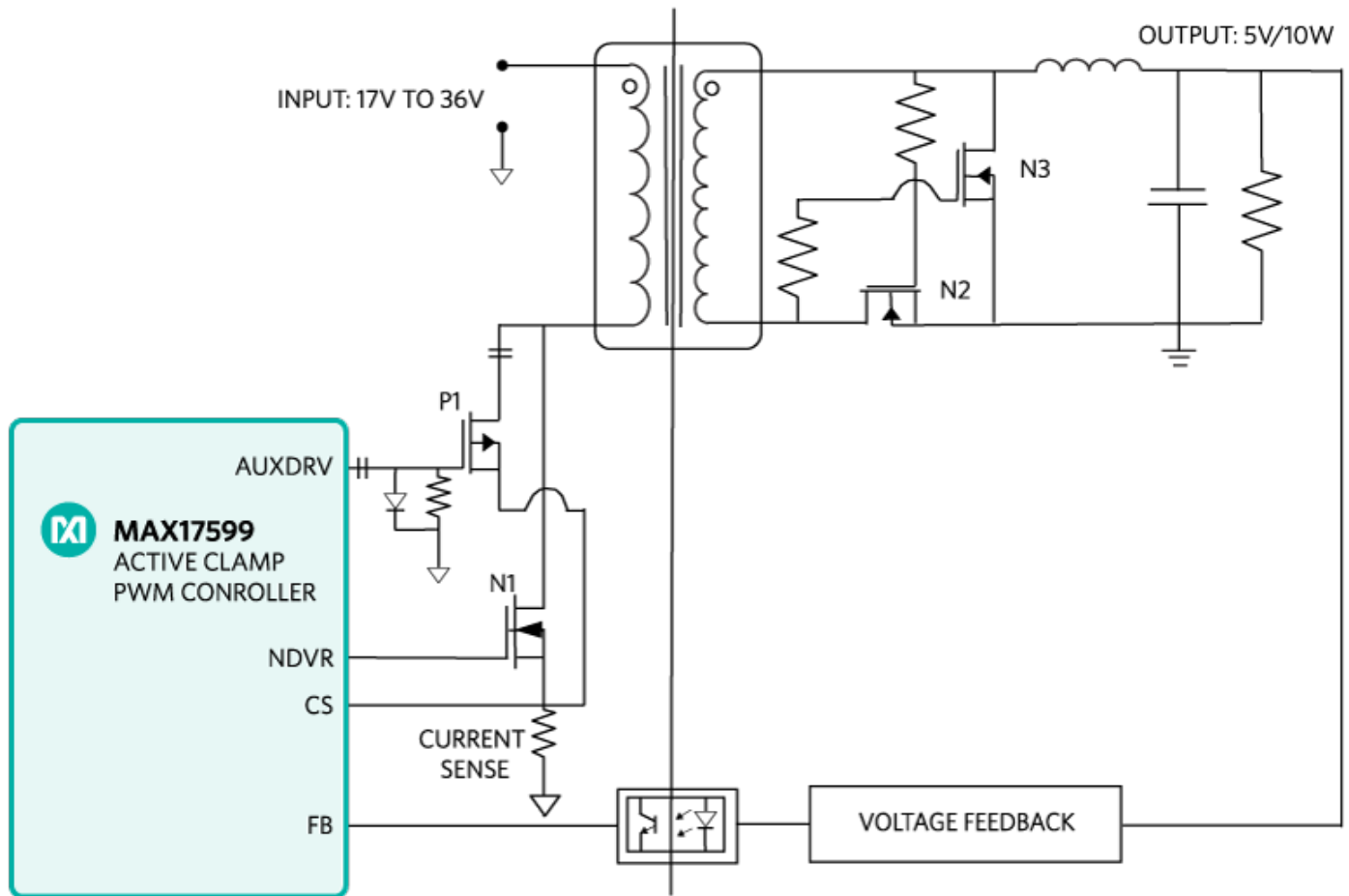


Figure 1. The MAXREFDES114# reference design block diagram.

Detailed Circuit Description

Hardware Description

The MAX17599 low I_Q active-clamp current-mode PWM controller contains all the control circuitry required for designing wide-input isolated forward converter industrial power supplies.

The device includes an AUX driver that drives an auxiliary MOSFET (clamp switch) that helps implement the active-clamp transformer reset topology for forward converters. This reset topology has several advantages, including reduced voltage stress on the switches, transformer size reduction due to larger allowable flux swing, and improved efficiency due to elimination of dissipative snubber circuitry. Programmable dead time between the AUX and main driver allows for zero-voltage switching.

Primary Power Stage

The active-clamp transformer primary side is driven by an n-channel MOSFET (N1) and a p-channel MOSFET (P1). While N1 is on, power is delivered to the secondary, and magnetizing energy is being

stored in the transformer. During this time, P1 is off, and the clamp capacitor (C12) is charged at a constant voltage level.

When N1 turns off, the leakage and magnetizing currents charge up the drain-to-source capacitance of N1. Once the drain-to-source voltage of N1 exceeds the voltage across the clamp capacitor, the body diode of P1 begins to conduct. With the body diode of P1 conducting, the magnetizing current begins to charge the clamp capacitor.

After the body diode of P1 conducts, P1 turns on. This provides zero-current switching for the p-channel MOSFET. The clamp capacitor continues to charge until the magnetizing current is reduced to 0A. At this point, the magnetizing current reverses, and the clamp capacitor begins to discharge until the p-channel MOSFET turns off.

After P1 turns off, the clamp capacitor remains at a fixed voltage. There is a fixed delay before N1 turns on. During this delay, the energy in the parasitic components discharges the V_{DS} of N1 towards V_{IN} . This allows softer turn-on and lower switching losses for N1.

The MAX17599 NDRV pin drives the n-channel MOSFET while the AUXDRV pin is level-shifted through C8, R15, and D3, and then drives the p-channel MOSFET.

Secondary Power Stage

The secondary power stage consists of the synchronous rectifiers (N2, N3), and the output filters (L2, C11, C19, C20, C23).

When N1 is on, N2 is on, while N3 is off. During this time, a voltage equal to the input voltage multiplied by the NS:NP turns ratio of the transformer is applied across N3; the inductor and the load capacitor are charged and being stored with energy.

When N1 is off, N2 is off, while N3 is on. During this time, the inductor current flows through N3 and continues transferring energy to the load capacitor.

The voltage on the input end of the filter inductor is a typical buck-converter square wave. The inductor and output capacitors filter the square wave to produce a DC voltage on the output.

Feedback Control Loop

The feedback network is typical of most isolated forward converters. It is constructed using a TLV431B programmable shunt regulator, a 3000V isolation optocoupler, and other RC components.

Startup-Voltage and Input-Overvoltage Protection Setting (EN/UVLO, OVI)

The EN/UVLO pin in the MAX17599 serves as an enable/disable input, as well as an accurate programmable undervoltage lockout (UVLO) pin. The MAX17599 does not begin startup operations unless the EN/UVLO pin voltage exceeds 1.21V (typ). The MAX17599 turns off if the EN/UVLO pin voltage falls below 1.15V (typ). A resistor divider from the input-DC bus to ground can be used to divide down and apply a fraction of the input-DC voltage to the EN/UVLO pin. The values of the resistor divider can be selected so that the EN/UVLO-pin voltage exceeds the 1.21V (typ) turn-on threshold at the desired input-DC bus voltage. The same resistor divider can be modified with an additional resistor (R_{OVI}) to implement overvoltage-input protection in addition to the EN/UVLO functionality. When the voltage at the OVI pin exceeds 1.21V (typ), the MAX17599 stops switching. Switching resumes with soft-start operation, only if the voltage at the OVI pin falls below 1.15V (typ). For the expected values of the startup DC input voltage (V_{START}) and input-overvoltage threshold (V_{OVI}), the resistor values for the divider can be calculated as follows:

$$V_{\text{START}} = (R6 + R7 + R11)/(R6 + R7) \times 1.21 \text{ (V)}$$

$$V_{\text{OVI}} = (R6 + R7 + R11)/R6 \times 1.21 \text{ (V)}$$

If $R6 = 24\text{k}\Omega$, $R7 = 30\text{k}\Omega$, and $R11 = 680\text{k}\Omega$, then:

$$V_{\text{START}} = 16.5\text{V}, V_{\text{OVI}} = 37.0\text{V}.$$

These values give a safe margin for input-voltage range of 17V to 36V.

Quick Start Guide

Required Equipment:

- MAXREFDES114#
- One adjustable DC power supply with voltage output up to 37V and current up to 3A
- One electronic load
- Two voltmeters
- Two ammeters

Procedure

The MAXREFDES114# board is fully assembled and tested. Use the following steps to verify board operation.

1. Turn off the power supply.
2. Connect the positive terminal of the power supply to the V_{IN} connector of the MAXREFDES114# board.
3. Connect the PGND connector of the MAXREFDES114# board to the positive terminal of one ammeter. Connect the negative terminal of the ammeter to the negative terminal of the power supply.
4. Connect one voltmeter across the V_{IN} and the PGND connectors of the MAXREFDES114# board.
5. Connect the V_{OUT} connector of the MAXREFDES114# board to the positive terminal of the electronic load.
6. Connect the negative terminal of the electronic load to the positive terminal of the second ammeter. Connect the negative terminal of the ammeter to the GNDO connector of the MAXREFDES114# board.
7. Connect the second voltmeter across the V_{OUT} and the GNDO connectors of the MAXREFDES114# board.
8. Turn on the power supply. Set the output to 24V.
9. Set the electronic load to a constant current between 0A to 2A.
10. Verify the second voltmeter reading is $5\text{V} \pm 0.25\text{V}$.

Lab Measurements

The MAXREFDES114# was verified and tested under full input range and different output load conditions.

The power efficiency vs. load current is illustrated in **Figure 2**.

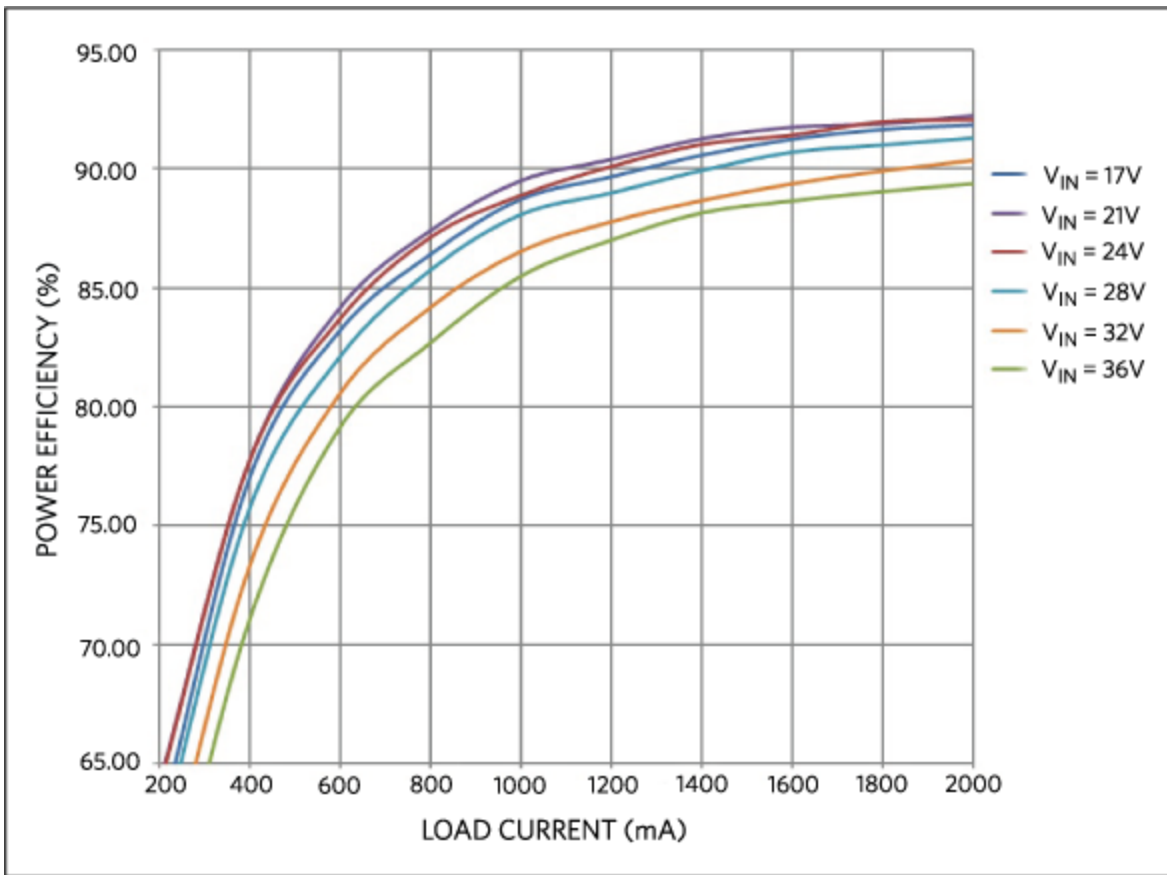


Figure 2. Power efficiency vs. load current.

Figure 3 displays the output ripple at full load when the input is 24V.



Figure 3. Output ripple at 2A load.

Figure 4 displays the load transient response when the load is stepped from 5mA to 800mA, and then dropped back to 5mA again. The input is 24V.



Figure 4. Transient response when load steps from 5mA to 800mA

Figure 5 shows the load transient response when the load is stepped from 1.2A to 2A, and then dropped back to 1.2A again. The input is 24V.

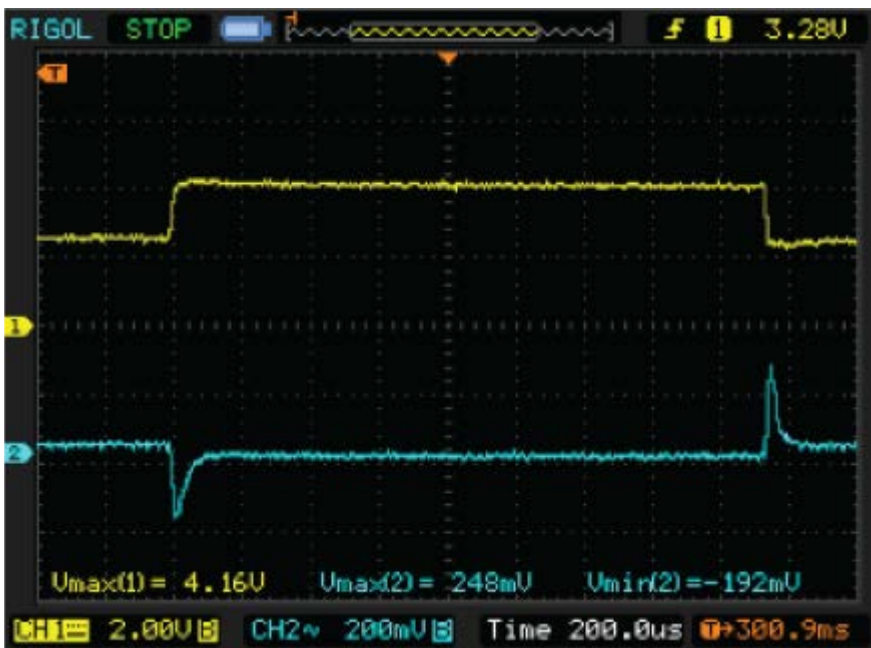
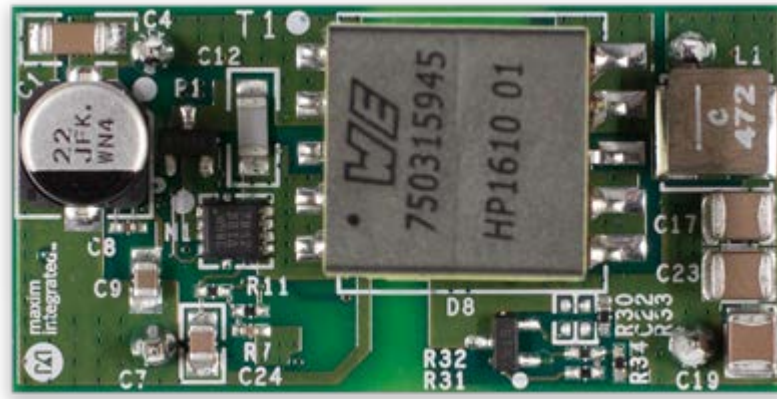


Figure 5. Transient response when load steps from 1.2A to 2A.

Ordering Information

Part Number



MAXREFDES114A#

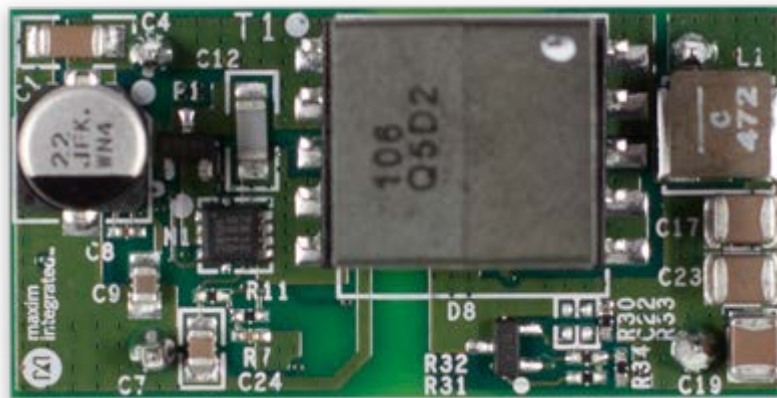
Transformer Vendor

Würth

Transformer Vendor

750316112r01

Part Number



MAXREFDES114B#

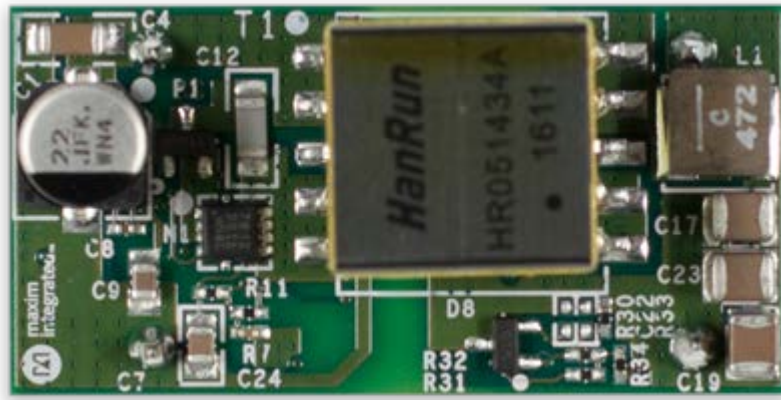
Transformer Vendor

Sumida

Transformer Vendor

13324-T115

Part Number



MAXREFDES114C#

Transformer Vendor

Hanrun

Transformer Vendor

HR051441

Part Number



MAXREFDES114D#

Transformer Vendor

Halo

Transformer Vendor

HR051441

