



2620T, 2621T, 2622T and 2623T Series Non-Relampable Neon



Description and Features

Mounting: Supplied with push-on speednut SN2089

Wire Leads: No. 22 AWG (105°C) 4.40"/4.80" long. Stripped 0.430"/0.570"

Lens: Polycarbonate

Housing: White Nylon

Bezel: Stainless Steel

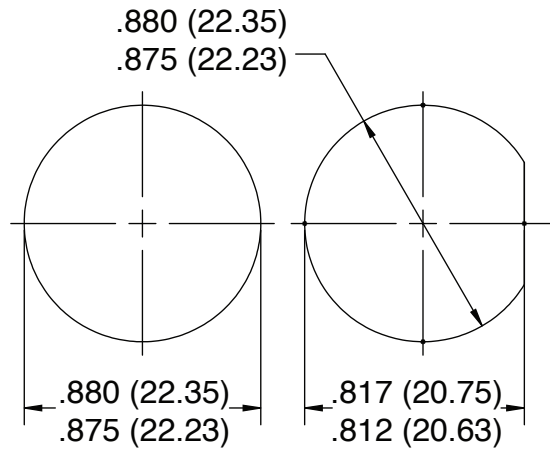
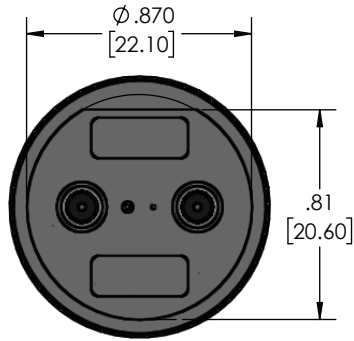
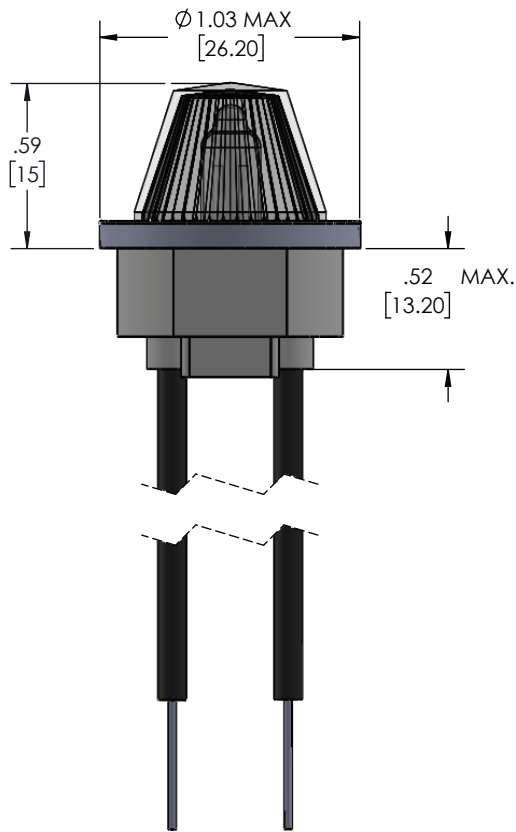
Underwriters Laboratories (UL) File No.E20356

Ordering Data

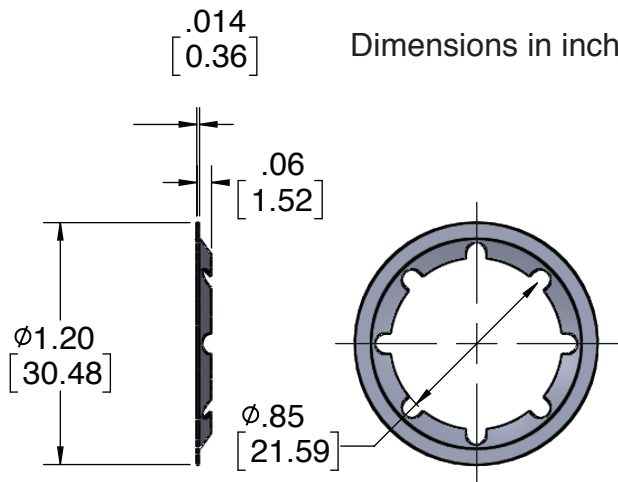
Lens Color	Neon	
	Model No. (105-125VAC)	Model No. (208-250VAC)
Red	2620T1	2621T1
Amber	2620T3	-
Green	2622T5*	2623T5*
Lamp used	C2A+R resistor	

*Incorporates G2B lamp and resistor

Product Dimensions



Optional Mounting Holes



Dimensions in inches [mm]

Speednut PT No. SN 2089
(Supplied) Spring Steel Oil Finish

Compliances and Approvals

