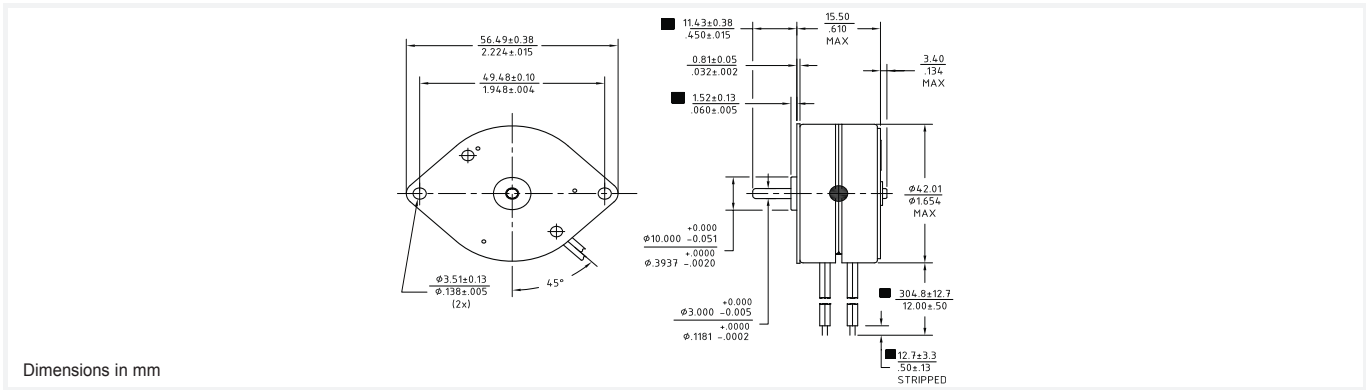


42M100B

RoHS Compliant

Ø42mm

49.4 mNm



Dimensions in mm

42M100B

Electrical Data	42M100B1U Unipolar	42M100B2U Unipolar	42M100B1B Bipolar	42M100B2B Bipolar	
1 Operating Voltage	5	12	5	12	VDC
2 Resistance per Phase, ± 10%	12.5	75.0	12.5	75.0	Ohms
3 Inductance per Phase, typ	6.6	37.7	11.3	62.1	mH
4 Rated Current per Phase *	0.40	0.16	0.40	0.16	A
<b>Coil independent parameters</b>					
5 Holding Torque, MIN *	45.2 (6.4)		49.4 (7)		mNm (oz-in)
6 Detent Torque, Max			5 (0.7)		mNm (oz-in)
7 Rotor Inertia			11.8 (0.065)		gcm <sup>2</sup> (oz-in-s <sup>2</sup> )
8 Step Angle			3.6		Degree
9 Absolute accuracy 2 ph. On, Full step			±0.5		Degree
10 Steps per Revolution			100.0		
11 Ambient Temp Range (operating)			-20 TO 70 (-4 TO 158)		°C (°F)
12 Maximum Coil Temperature			130 (266)		°C (°F)
13 Bearing Type			Sintered Bronze Sleeve		
14 Insulation Resistance at 500 VDC			100.0		Mohms
15 Dielectric Withstanding Voltage			650 VRMS for 2 seconds		VAC
16 Weight			87.89 (3.1)		g (oz)
17 Leadwire			AWG#28, UL3265 (125°C, 150V)		

All Motor Data Values at 20°C Unless Otherwise Specified

\* Energize at Rated Current, 2 Phase On

